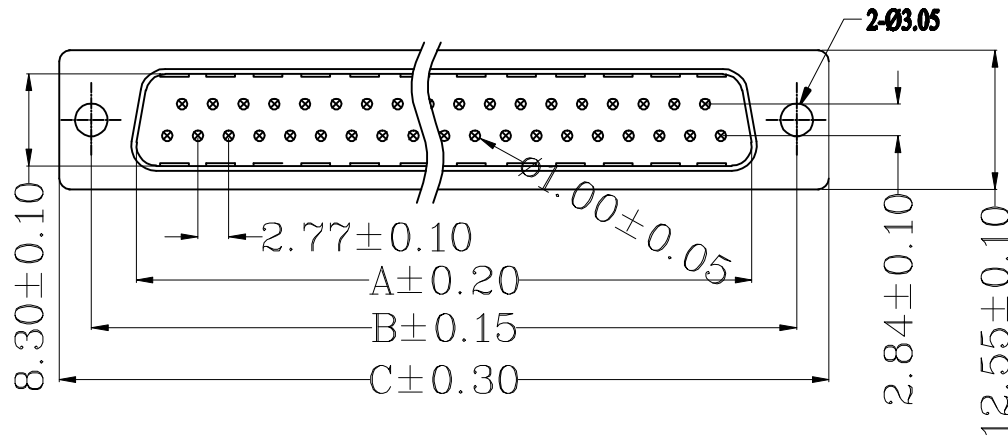


RoHS Compliant

REVISIONS			
REV.	DESCRIPTION	DATE	DESIGN

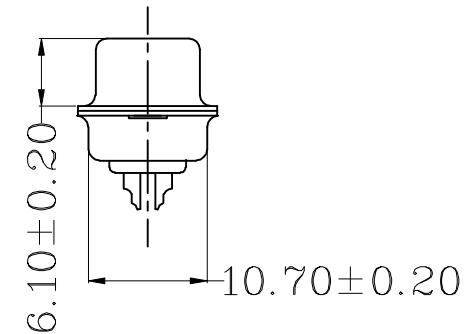
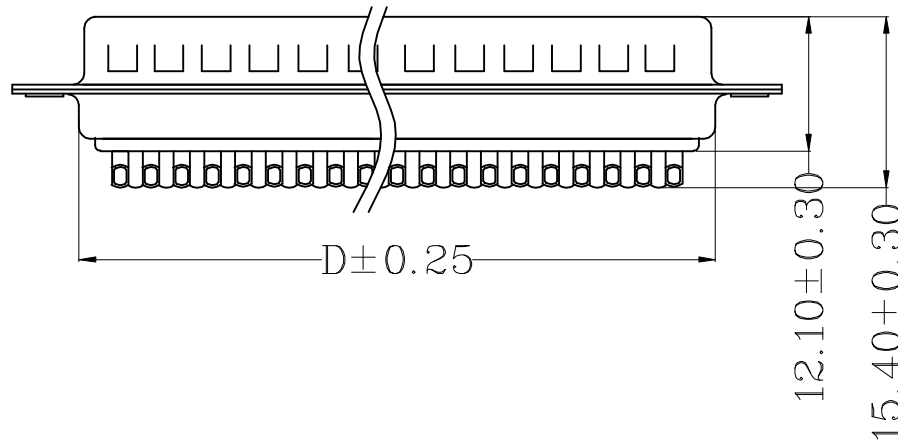


MATERIALS AND FINISH

SHELL : STEEL MATERIAL, FRONT NICKEL FINISHED
 BACK SHELL TIN FINISHED
 INSULATOR : PBT THERMOPLASTIC, 30% GLASS
 FILLED, UL 94V-0 RATED, BLACK COLOR
 CONTACT MATERIAL : BRASS
 CONTACT FINISH : FULL GOLD FINISHED
 WITH #4-40 THREADED RIVETS

ELECTRICAL CHARACTERISTICS

CONTACT CURRENT RATING : 5.0 AMPS
 CONTACT RESISTANCE : 30 MILLIOHMS MAX.
 DIELECTRIC WITHSTANDING VOLTAGE : 1000 V AC MIN.
 INSULATION RESISTANCE : 5000 MEGAOHMS MIN.
 TEMPERATURE RATING : -55°C ~ +105°C



PIN	A	B	C	D
9	16.90	24.99	30.80	19.30
15	25.25	33.30	39.20	27.60
25	38.96	47.04	53.10	41.10
37	55.42	63.50	69.34	57.30

Bestcreate Technology Limited

TOLERANCES UNLESS OTHERWISE SPECIFIED:

X.	± 0.38	X.*	± 3'
.X	± 0.35	.X*	± 2'
.XX	± 0.25	.XX*	± 1'

DESIGN: DATE:

I. L 2017. 3. 1

CHECKED: DATE:

C. W 2017. 3. 1

APPROVED: DATE:

C. W 2017. 3. 1

TITLE:
DB 9P MALE CONNECTOR FOR WIRE SOLDERING

MATERILA: PART NO: DB09M1206 SIZE: A4

FINSH: DWG NO: DB09M1206

REV: A	UNIT mm	SCALE 1=1	QUALITY SYMBOLS
--------	---------	-----------	-----------------

Website: www.bsc-elec.com
 Email: bestcreate@bsc-elec.com