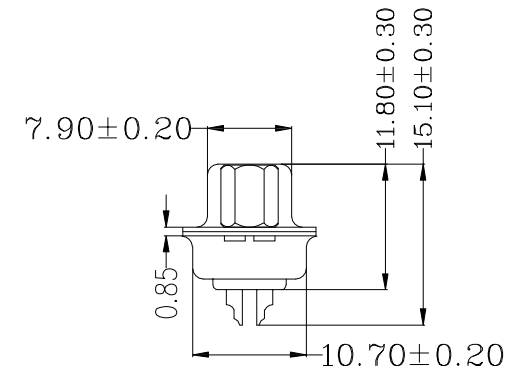
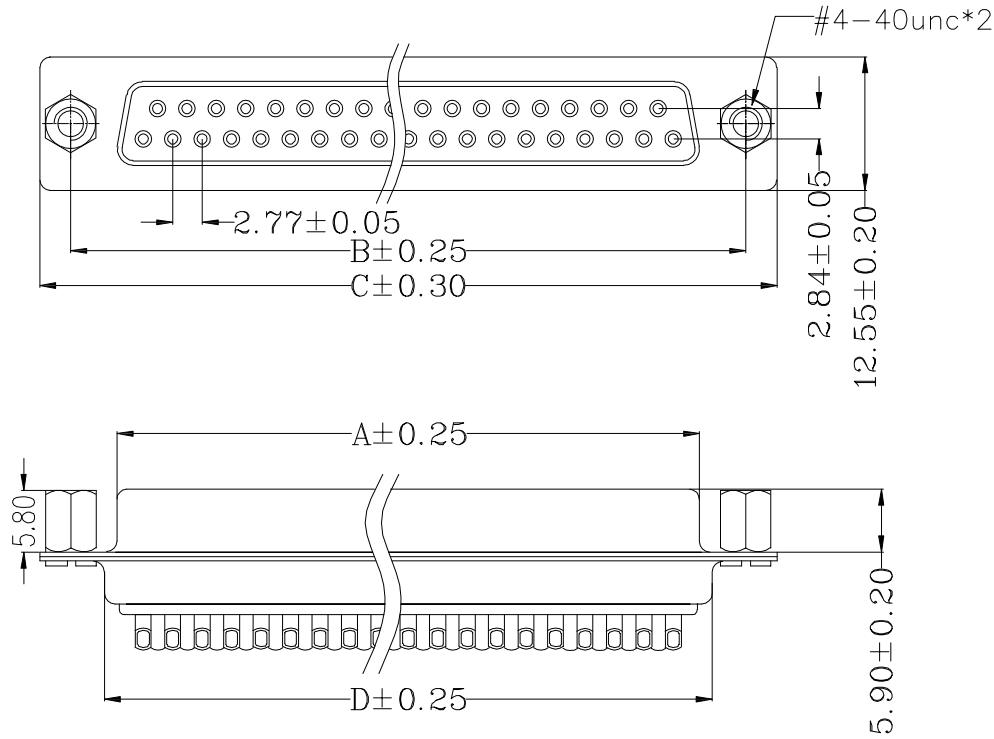


RoHS Compliant

REVISIONS			
REV.	DESCRIPTION	DATE	DESIGN



一、 MATERIAL:

1. Insulator: PBT+30%Glass Fiber (UL94V-0)
2. Contact: Brass
3. Contact Plated: Gold Flash over Tin Or Gold Plated Or Tin Plated
4. Shell: Steel, Nickel Plated

二、 SPECIFICATION:

1. Current Rating: 5 AMPS
2. Insulation Resistance: 5000MΩ MIN. At 500VDC
3. Dielectric Strength: 500V for One minute
4. Operation Temperature: -55° C~+105° C.

PIN	A	B	C	D
9	16.30	24.99	30.80	19.30
15	24.60	33.30	39.20	27.60
25	38.30	47.04	53.10	41.10
37	54.80	63.50	69.34	57.30

**Bestcreate Technology Limited**

TOLERANCES UNLESS OTHERWISE SPECIFIED:

X.	± 0.38	X.*	± 3*
.X	± 0.35	.X*	± 2*
.XX	± 0.25	.XX*	± 1*

Website: www.bsc-elec.com  
Email: bestcreate@bsc-elec.com

DESIGN: I. L DATE: 2017.3.1

CHECKED: C. W DATE: 2017.3.1

APPROVED: C. W DATE: 2017.3.1

TITLE: DB 9P FEMALE CONNECTOR FOR WIRE SOLDERING

MATERILA: PART NO: DB09FW0301 SIZE: A4

FINSH: DWG NO: DB09FW0301

REV: A UNIT mm SCALE 1=1 QUALITY SYMBOLS