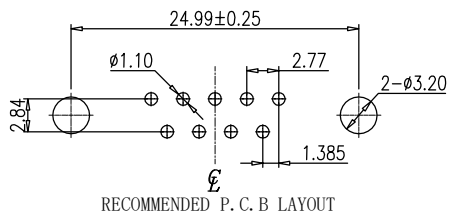
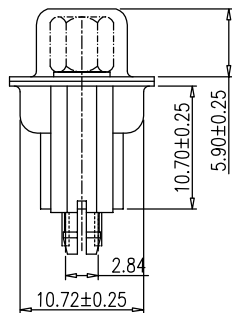
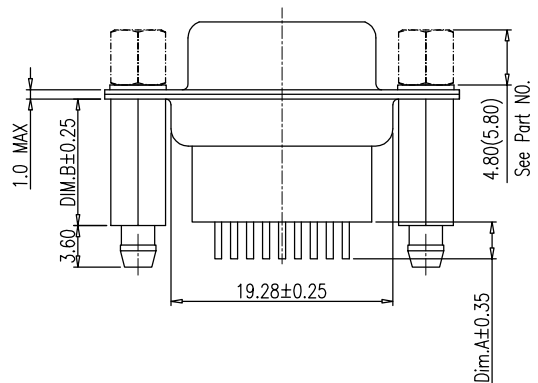
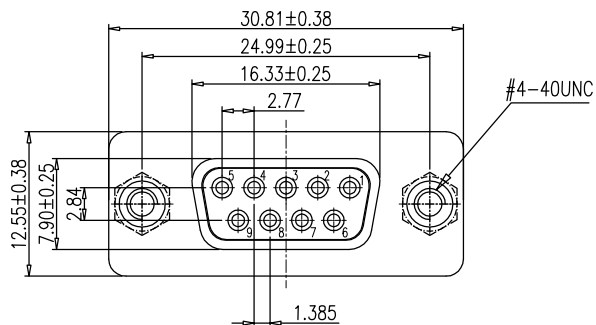


RoHS Compliant

REVISIONS			
REV.	DESCRIPTION	DATE	DESIGN



NOTE:

- MATERIALS AND FINISHED**
 INSULATOR : PBT+30% GF UL 94V-0,
 SHELL : STEEL, NI OR SN FINISHED
 CONTACT MATERIAL : BRASS, SELEVITE GOLD FINISHED
 RIVETED INSERT: BRASS MATERIAL ,TIN FINISHED
 WITH #4-40 THREADED ASSEMBLED
- ELECTRICAL CHARACTERISTICS**
 CURRENT RATING : 3.0 AMP DC
 VOLTAGE RATING: 250 V DC
 CONTACT RESISTANCE :30 MILLIOHMS MAX.
 DIELECTRIC WITHSTANDING VOLTAGE : 1000 V AC MIN.
 INSULATION RESISTANCE : 1000 MEGAOHMS MIN.
- ENVIRONMENTAL**
 OPERATING TEMPERATURE: -55°C ~ +85°C
 STORAGE TEMPERATURE:-55°C ~ +105°C
- HOW TO ORDER:**

DPF211-09XXXXP-XXXX0

Female

09:9Pin 25:25PIN
15:15Pin 37:37PIN

G:Full Gold

1:G/F 5: 5u"
2:2u" 6: 10u" 8: 30u"
3:3u" 7: 15u" 9: 1u"

1. Front Ni Back SN
3. Full Sn
5. Full Ni

L: Light blue
U: Blue(661C)
B: Black

P:PBT

0: RoHS

D: Dim.A=5.3
6: Dim.A=7.2
4: Dim.A=6.0
3: Dim.A=5.0
1: Dim.A=3.2

Y:4.7*13.5(Dim.B)*18.4 Copper Pillar
B:4.7*12.0(Dim.B)*16.9 Copper Pillar
7:4.7*11.0(Dim.B)*15.9 Copper Pillar

K:5.8*12.8 Hexagonal screw(iron)
J:5.8*12.8 Hexagonal screw(copper)
6:4.8*11.8 Hexagonal screw(iron)
5:4.8*11.8 Hexagonal screw(copper)

C:Attach screw type
B:Ass'y screw type
A:No screw type(Rivet)

Bestcreate Technology Limited

TOLERANCES UNLESS OTHERWISE SPECIFIED:

.X	± 0.38	X.	± 3"
.XX	± 0.25	.X.	± 2"
.XXX	± 0.15	.XX.	± 1"

Website:www.bsc-elec.com
Email:bestcreate@bsc-elec.com

DESIGN:	DATE:
I. L	2017. 3. 1
CHECKED:	DATE:
C. W	2017. 3. 1
APPROVED:	DATE:
C. W	2017. 3. 1

TITLE: DP-09P FEMALE CONNECTOR		
MATERILA:	PART NO: DPF211-09XXXXP-XXXX0	SIZE: A4
FINSH:	DWG NO: DPF211-09XXXXP-XXXX0	

REV: A	UNIT mm	SCALE 1=1	QUALITY SYMBOLS
-----------	------------	--------------	-----------------