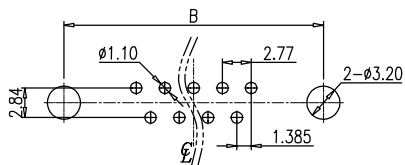
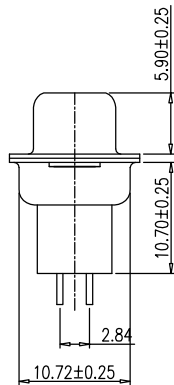
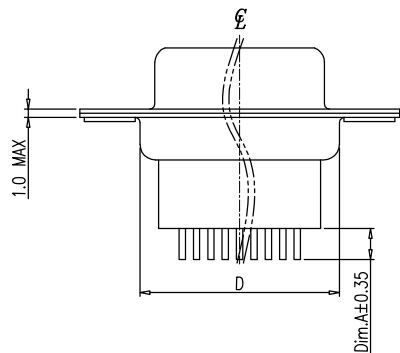
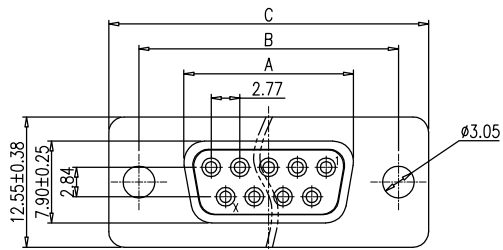


RoHS Compliant

REVISIONS			
REV.	DESCRIPTION	DATE	DESIGN



RECOMMENDED P. C. B LAYOUT

09	16.33	24.99	30.81	19.28
15	24.66	33.32	39.14	27.51
25	38.38	47.04	53.04	41.28
37	54.84	63.50	69.32	57.71
No. of Contact	A ± 0.25	B ± 0.25	C ± 0.38	D ± 0.25

- NOTE:
- MATERIALS AND FINISHED
 INSULATOR : PBT+30% GF UL 94V-0,
 SHELL : STEEL, NI OR SN FINISHED
 CONTACT MATERIAL : BRASS, SELEVITE GOLD FINISHED
 RIVETED INSERT: BRASS MATERIAL, TIN FINISHED
 WITH #4-40 THREADED ASSEMBLED
 - ELECTRICAL CHARACTERISTICS
 CURRENT RATING : 3.0 AMP DC
 VOLTAGE RATING: 250 V DC
 CONTACT RESISTANCE :30 MILLIOHMS MAX.
 DIELECTRIC WITHSTANDING VOLTAGE : 1000 V AC MIN.
 INSULATION RESISTANCE : 1000 MEGAOHMS MIN.
 - ENVIRONMENTAL
 OPERATING TEMPERATURE: -55°C ~ +85°C
 STORAGE TEMPERATURE:-55°C ~ +105°C
 - HOW TO ORDER:

DPF211-XXXXXXP-A0XX0

Female

09:9Pin 25:25PIN
15:15Pin 37:37PIN

G:Full Gold

1:G/F 5: 5u"
2:2u" 6: 10u" 8: 30u"
3:3u" 7: 15u" 9: 1u"

1. Front NI Back SN
3. Full Sn
5. Full NI

0: RoHs

D: Dim.A=5.3
6: Dim.A=7.2
4: Dim.A=6.0
3: Dim.A=5.0
1: Dim.A=3.2

2:Front rivet hollow nut(Copper)
1:Back rivet hollow nut(Copper)
0:Ø3.05 through Hole

A:No screw type
(Riveting Type)

P:PBT
L: Light blue
U: Blue(661C)
B: Black

Bestcreate Technology Limited

TOLERANCES UNLESS OTHERWISE SPECIFIED:

.X	± 0.38	X.*	± 3"
.XX	± 0.25	.X*	± 2"
.XXX	± 0.15	.XX*	± 1"

Website:www.bsc-elec.com
Email:bestcreate@bsc-elec.com

DESIGN: I. L DATE: 2017.3.1

CHECKED: C. W DATE: 2017.3.1

APPROVED: C. W DATE: 2017.3.1

TITLE: DP FEMALE CONNECTOR

MATERILA:	PART NO: DPF211-XXXXXXP-A0XX0	SIZE: A4
FINSH:	DWG NO: DPF211-XXXXXXP-A0XX0	

REV: A	UNIT mm	SCALE 1=1	QUALITY SYMBOLS
--------	---------	-----------	-----------------