

RoHS Compliant

| REVISIONS | | | |
|-----------|-------------|------|--------|
| REV. | DESCRIPTION | DATE | DESIGN |
| | | | |

A

B

C

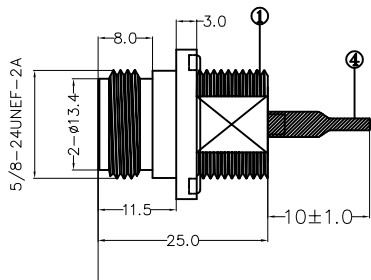
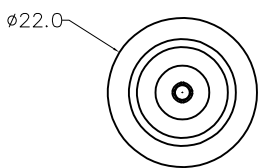
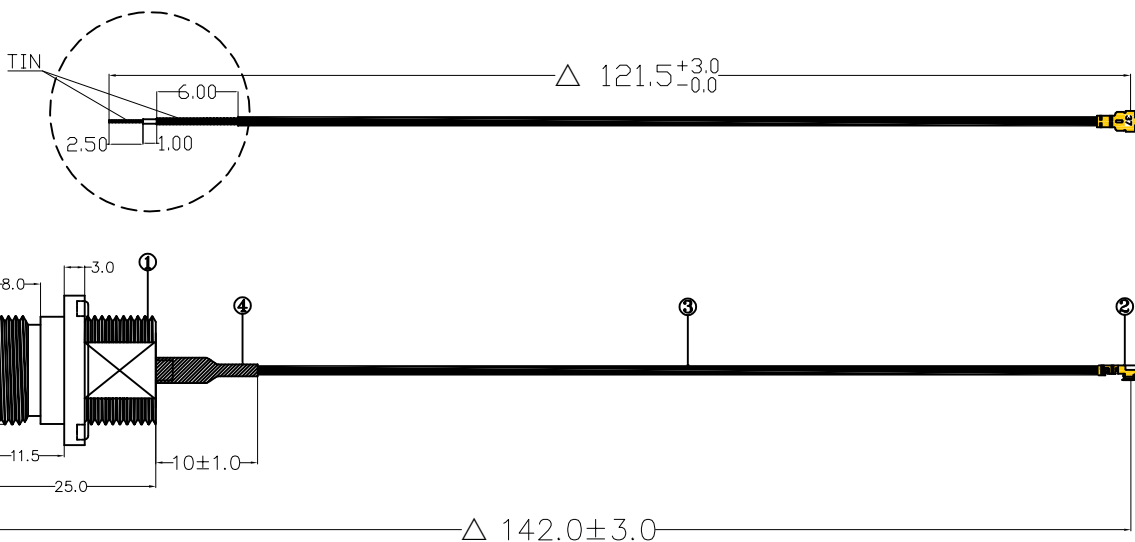
D

A

B

C

D



端子插口与
N TYPE 圆同向

NOTES:

1.SPECIFICATIONS:

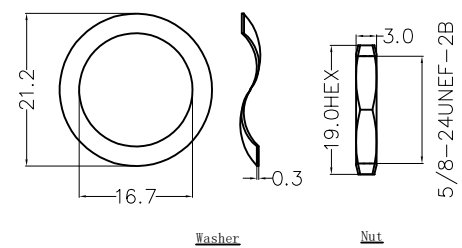
- IMPEDANCE:50 OHMS
- FREQUENCY RANGE:0-6 GHz
- VSWR:1.5 MAX
- INSERTION LOSS:≥1.5dB
- WITHSTANDING VOL TAGE:200 V AC
- INSULATION RESISTANCE:500 ME GOHM MIN
- CONTACT RESISTANCE:
CENTER CONTACT -20 MILLI-OHMS MAX
OUTER CONDUCTOR -20 MILLI-OHMS MAX

MECHANICAL:

- COMPATIBILITY:MATES WITH U,FL SERIES
- HOLDING FORCE(MIN):0.15 N(FEMALE CONTACT)
- DURABILITY:30 CYCLES

ENVIRONMENTAL:

TEMPERATURE RANGE:-40°C TO +90°C



| | | | |
|------|-------------|--|-----|
| 4 | | φ3.5mm TUBE BLACK L=10±1mm | 1 |
| 3 | B-01-030016 | RF 1.37 MINI CABLE YELLOW (LOW LOSS) | 1 |
| 2 | RF-1-137N | MHF connector plug for 1.37 mini cable (NO MARK) | 1 |
| 1 | A-02-140019 | FEMALE N JACK 25.0mm For RF1.37 mini cable | 1 |
| ITEM | PART NUMBER | DESCRIPTION | QTY |

Bestcreate Technology Limited

TOLERANCES UNLESS OTHERWISE SPECIFIED:

| | | | | | |
|-----|---|------|------|---|----|
| X. | ± | 0.30 | X' | ± | 3' |
| .X | ± | 0.15 | .X' | ± | 2' |
| .XX | ± | 0.10 | .XX' | ± | 1' |

Website:www.bsc-elec.com
Email:bestcreate@bsc-elec.com

DESIGN: I. L DATE: 2017. 3. 1

CHECKED: C. W DATE: 2017. 3. 1

APPROVED: C. W DATE: 2017. 3. 1

TITLE: RF 1.37 MINI CABLE ASSY. T/L=121.5MM YELLOW

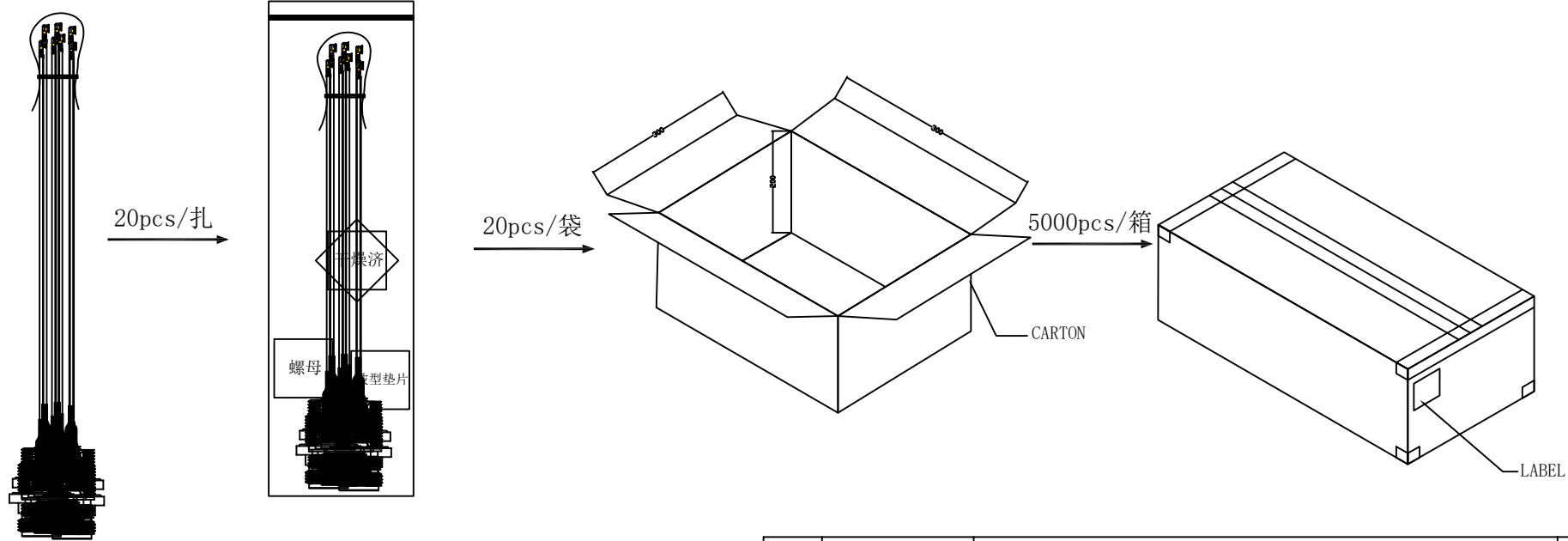
MATERIAL: PART NO: C-01-036918 SIZE: A4

FINISH: DWG NO: C-01-036918

| REV: | UNIT | SCALE | QUALITY SYMBOLS |
|------|------|-------|-----------------|
| A | mm | 1=1 | |

RoHS Compliant

| REVISIONS | | | |
|-----------|-------------|------|--------|
| REV. | DESCRIPTION | DATE | DESIGN |
| | | | |



| 5 | | 箱规内径: 300*300*200mm K=K 空白箱 | 1 |
|------|-------------|-----------------------------|-----|
| 4 | | PE袋 | 1 |
| 3 | | 干燥剂 | 1 |
| 2 | | TPU透明白皮筋MB-4024 | 1 |
| 1 | | 白色珍珠棉袋 60*80mm | 1 |
| ITEM | PART NUMBER | DESCRIPTION | QTY |

Bestcreate Technology Limited

TOLERANCES UNLESS OTHERWISE SPECIFIED:

| | | | | | |
|-----|---|------|------|---|----|
| X. | ± | 0.30 | X.' | ± | 3' |
| .X | ± | 0.15 | .X' | ± | 2' |
| .XX | ± | 0.10 | .XX' | ± | 1' |

Website: www.bsc-elec.com
Email: bestcreate@bsc-elec.com

DESIGN: I. L DATE: 2017. 3. 1

CHECKED: C. W DATE: 2017. 3. 1

APPROVED: C. W DATE: 2017. 3. 1

TITLE: RF 1.37 MINI CABLE ASSY. T/L=121.5MM YELLOW

MATERILA: FINSH: PART NO: C-01-036918 SIZE: A4

DWG NO: C-01-036918

REV: A UNIT mm SCALE 1=1 QUALITY SYMBOLS