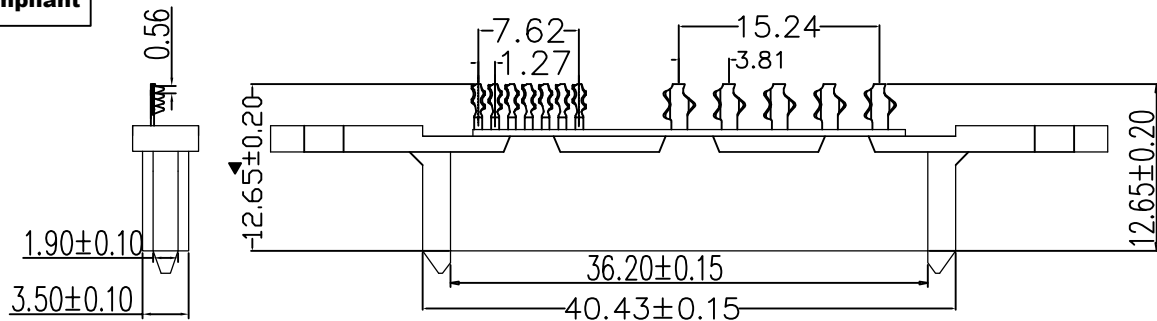


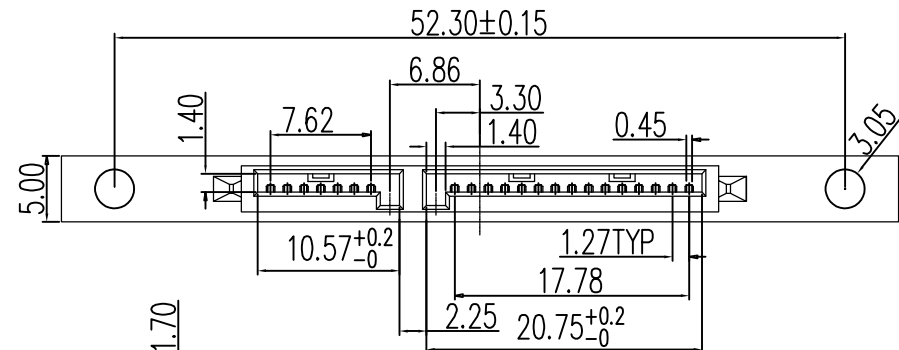
RoHS Compliant

REVISIONS			
REV.	DESCRIPTION	DATE	DESIGN

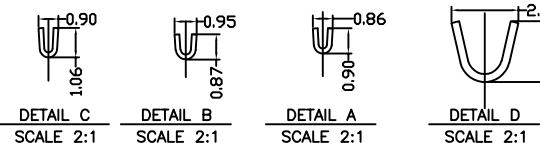
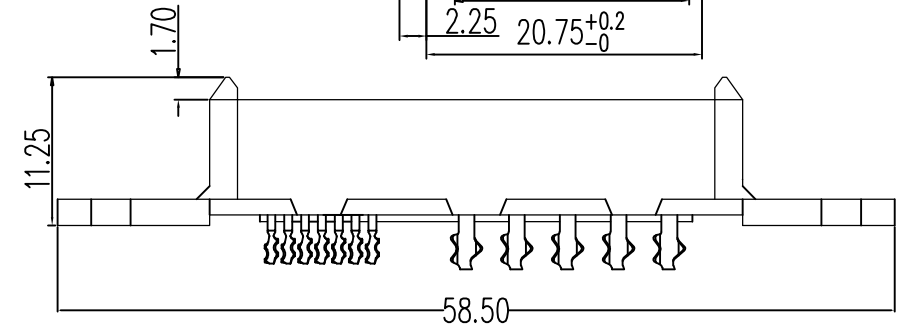
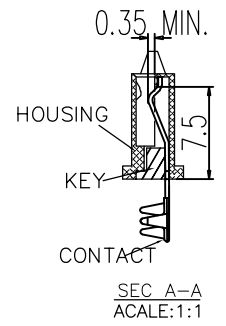
A



B



C



- NOTES:
- 材质:
 - 胶体: 见料号对照表
 - 端子: 7P磷铜 C5191H T=0.25mm, 15P黄铜 C2680H T=0.25mm
 - 表面处理:
 - 端子: 全部镍底30-100U"; 接触区见料号对照表; 焊接端镀锡30-200U".
 - 技术要求:
 - 电气特性
 - 额定电流: 1.5A, 40V
 - 接触电阻: ≤30 mΩ, 插拔之后最大增加15 mΩ;
 - 绝缘电阻: ≥1000 MΩ (100V±15V d.c.);
 - 耐电压: 500 Vr.m.s, 1mA, 60s;
 - 机械特性
 - 插入力: ≤45 N(4.5kgf);
 - 拔出力: ≥10 N(1kgf);
 - 保持力: ≥5 N(0.5kgf)/pin.
 - 耐焊接热: 250°C±5°C, 10s.
 - 包装:
 - PE袋包装, 最小包装量250PCS;

PART NO. INFORMATION

S715 - F X A 5 T -006

GENDER: F: FEMALE, M: MALE

CONTACT PLATED: 1: GOLD FLASH/TIN, 2: 15U" GOLD/TIN, 3: 30U" GOLD/TIN

PACKAGE: T: TRAY, R: TAPE REEL

HOUSING COLOR: 5: BLACK

HOUSING MATERIAL: A: LCP

Bestcreate Technology Limited

TOLERANCES UNLESS OTHERWISE SPECIFIED:			
X.	± 0.30	X.*	± 3'
.X	± 0.20	.X*	± 2'
.XX	± 0.15	.XX*	± 1'
Website: www.bsc-elec.com			
E-mail: bestcreate@bsc-elec.com			

DESIGN: I.L	DATE: 2017.3.1
CHECKED: C.W	DATE: 2017.3.1
APPROVED: C.W	DATE: 2017.3.1

TITLE: SATA 7+15P 直立式板下SMT		
MATERILA:	PART NO: S715-FXA5T-006	SIZE: A4
FINSH:	DWG NO: S715-FXA5T-006	SHEET: 1 OF 1

REV: A	UNIT: mm	SCALE: 1=1	QUALITY SYMBOLS
--------	----------	------------	-----------------

1 2 3 4 5 6 7 8