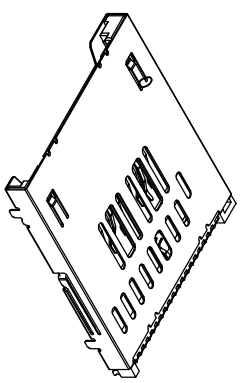
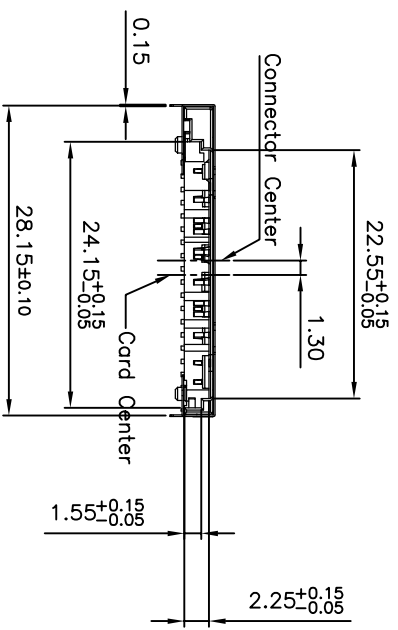
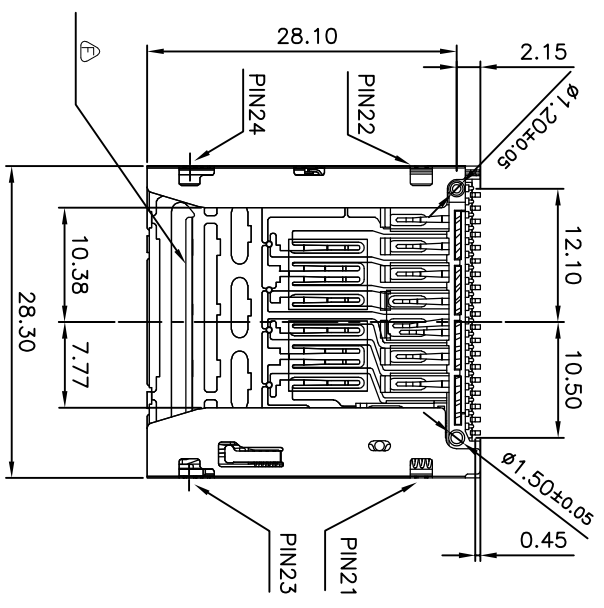
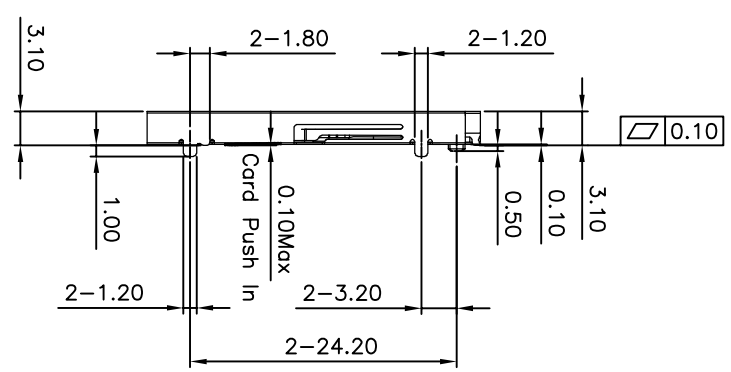
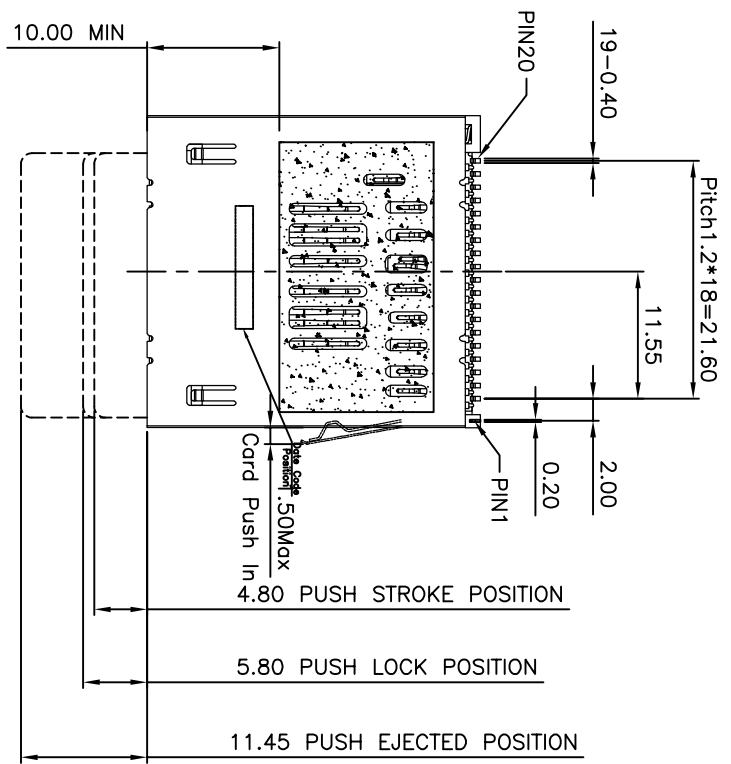


RoHS Compliant

1 2 3 4 5 6 7 8

REVISIONS

REV.	DESCRIPTION	DATE	DESIGN



Bestcreate Technology Limited

REV: A	UNIT mm	SCALE 1=1	QUALITY SYMBOLS
--------	---------	-----------	-----------------

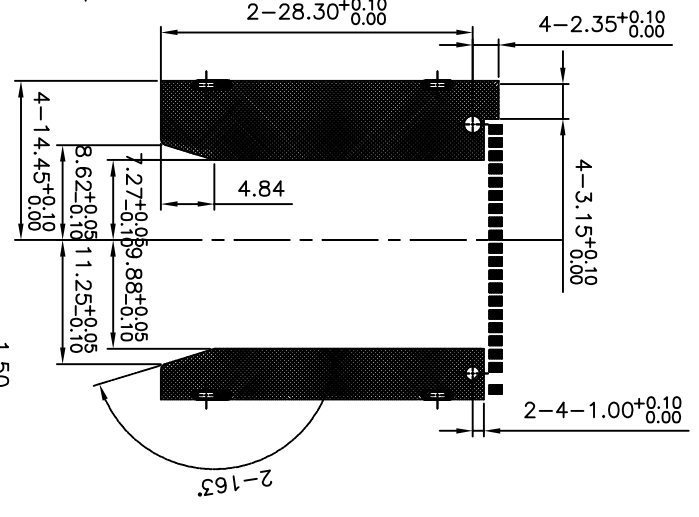
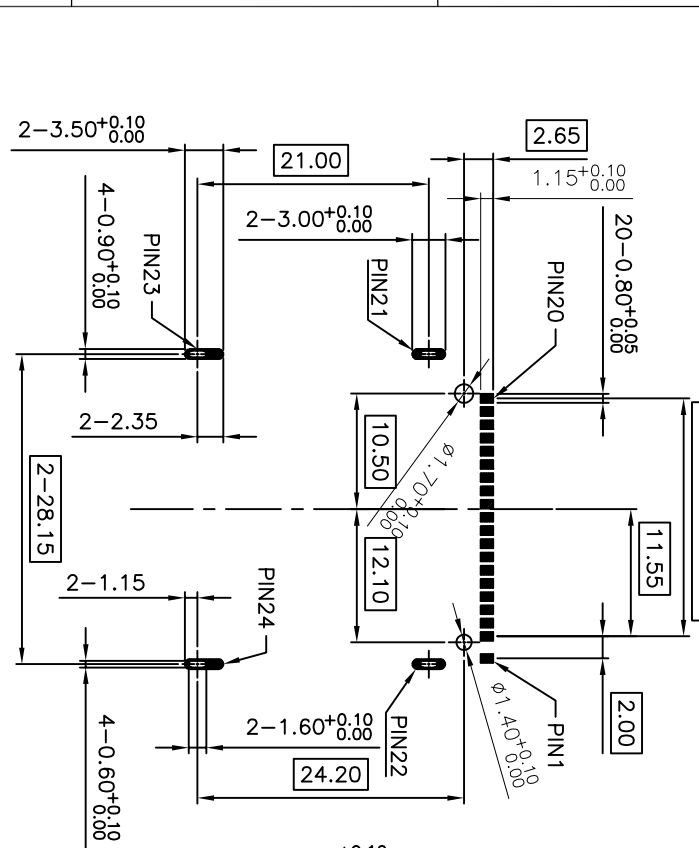
TOLERANCES UNLESS OTHERWISE SPECIFIED:			
.X	± 0.35	X.*	± 5*
.XX	± 0.25	.X*	± 2*
.XXX	± 0.15	.XX*	± 1*

DESIGN: I.L	DATE: 2017.3.1
CHECKED: C.W	DATE:
APPROVED: C.W	DATE:

TITLE: SD 4.0 P/P 板下中型 (YD/GD)	SIZE: A4
MATERIAL:	PART NO: SD-20XX5R-007
FINSH:	DWG NO: SD-20XX5R-007
	SHEET: 1 OF 4

1 2 3 4 5 6 7 8

REVISIONS			
REV.	DESCRIPTION	DATE	DESIGN



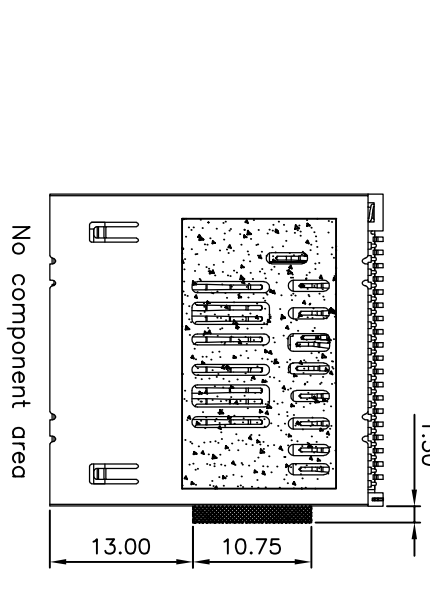
RECOMMEND P.C.B LAYOUT TOLERANCE ±0.05

PAD
 No trace, no test point,
 no via hole, no ground point.

WITHOUT CARD	CARD INSERTED:LOCK	CARD INSERTED:UNLOCK
C/D #12 VSS1 #11 W/P #1 GND #21~24	C/D #12 VSS1 #11 W/P #1 GND #21~24	C/D #12 VSS1 #11 W/P #1 GND #21~24

Bestcreate Technology Limited

REV.	UNIT	SCALE	QUALITY SYMBOLS
A	mm	1=1	



No component area

TOLERANCES UNLESS OTHERWISE SPECIFIED:			
X	± 0.35	X*	± 0.25
.XX	± 0.15	.XX*	± 0.15

DESIGN:	DATE:	
I.L	2017.3.1	
CHECKED:	DATE:	
X*		
APPROVED:	DATE:	
C.W		
TITLE:	SD 4.0 P/P 板下中型 (YD/GD)	
MATERIA:	PART NO:	SIZE:
C.W	SD-20XX5R-007	A4
FINSH:	DWG NO:	SHEET:
C.W	SD-20XX5R-007	2 OF 4

Specification
 *Electrical Characteristics:
 Contact Current Rating:0.5 Amperes.
 Dielectric Withstanding Voltage:AC500V r.m.s.
 Insulation Resistance:1000 MΩ Minimum.
 Contact Resistance:100 mΩ Maximum.
 *Environmental:
 Operating Temperature:-25°C~+85°C.
 *Mechanical Characteristics:
 Mating Cycles:10,000 Cycles Insertion/Extraction
 Card Push Insertion/Out Force:1kgf Maximum.
 Contact Retention Force:0.15kgf Minimum.
 *Material:
 Insulator:HI-Temp Plastic UL 94V-0 Rated.
 Contact:Copper Alloy.
 Shell:Stainless Steel.
 Spring:SWPB.
 Ordering Information:
PART NO. INFORMATION
SD -20 X X 5 R - 007
 20:20P
 CONTACT PLATED
 1: GOLD FLASH
 2: GOLD 3U"
 3: GOLD 5U"
 4: GOLD 10U"
 5: GOLD 15U"
 6: GOLD 30U"
 PACKAGE
 R: TAPE REEL
 HOUSING COLOR
 2: WHITE
 5: BLACK
 9: NATURE
 HOUSING MATERIAL
 A: LCP B: PBT
 C: PA9T D: PA6T
 E: PA46 F: PA66

1 RoHS Compliant

2 3 4 5 6 7 8

REVISIONS			
REV.	DESCRIPTION	DATE	DESIGN

Pin Define

Connector PinNo.	Specifications SD4.0 PinNo.	Specifications MMC PinNo.	SD Mode			UHS-II Mode			MMC	
			Name	Type	Description	Name	Type	Description	Name	Type
P1			WP			WP				
P2	P8		DAT1	I/O/PP	Data Line[Bit 1]	RCLK-	I			
P3	P7		DAT0	I/O/PP	Data Line[Bit 0]	RCLK+	I		DAT	I/O/PP Data
P4	P17		—		Not Used(Connected to ground)	VSS5	S	Supply voltage ground		
P5	P6		VSS2	S	Supply voltage ground	VSS2	S	Supply voltage ground	VSS	S Supply voltage ground
P6	P16		—		Not Used	D1+				
P7	P5		CLK	I	Clock	—		Not Used	CLK	I Clock
P8	P15		—		Not Used	D1-				
P9	P4		VDD	S	Supply voltage	VDD1	S	Supply voltage(3.3V)	VDD	S Supply voltage
P10	P14		—		Not Used	VDD2	S	Supply voltage(1.8V)		
P11	P3		VSS1	S	Supply voltage ground	VSS1	S	Supply voltage ground	VSS	S Supply voltage ground
P12			CD			CD				
P13	P13		—		Not Used(Connected to ground)	VSS4	S	Supply voltage ground		
P14	P2		CMD	PP	Command/Response	—		Not Used	CMD	I/O/PP/OD Command/Reserved
P15	P12		—		Not Used	D0-				
P16	P1		CD/DAT3	I/O/PP	Card Detect/ Data Line[Bit 3]	—		Not Used	RSV	NC Reserved for future use
P17	P11		—		Not Used	D0+				
P18	P9		DAT2	I/O/PP	Data Line[Bit 2]	—				
P19	P10		—		Not Used(Connected to ground)	VSS3	S	Supply voltage ground		
P20			GND			GND			GND	
P21			GND			GND			GND	
P22			GND			GND			GND	
P23			GND			GND			GND	
P24			GND			GND			GND	

Bestcreate Technology Limited

REV: A	UNIT mm	SCALE 1=1	QUALITY SYMBOLS	DESIGN: I.L	DATE: 2017.3.1	TITLE: SD 4.0 P/P 板下中型 (YD/GD)												
1	2	3	4	5	6	7												
<p>TOLERANCES UNLESS OTHERWISE SPECIFIED:</p> <table border="1"> <tr> <td>.X</td> <td>± 0.35</td> <td>X.*</td> <td>± 5'</td> </tr> <tr> <td>.XX</td> <td>± 0.25</td> <td>.X*</td> <td>± 2'</td> </tr> <tr> <td>.XXX</td> <td>± 0.15</td> <td>.XX*</td> <td>± 1'</td> </tr> </table>				.X	± 0.35	X.*	± 5'	.XX	± 0.25	.X*	± 2'	.XXX	± 0.15	.XX*	± 1'	<p>APPROVED: C.W</p>		
.X	± 0.35	X.*	± 5'															
.XX	± 0.25	.X*	± 2'															
.XXX	± 0.15	.XX*	± 1'															
<p>Website: www.bsc-elec.com</p> <p>Email: bestcreate@bsc-elec.com</p>				<p>FINSH: SD-20XX5R-007</p>														
<p>2017.3.1</p>				<p>SIZE: A4</p>														
<p>2017.3.1</p>				<p>SHEET: 3 OF 4</p>														

REVISIONS		
REV.	DESCRIPTION	DATE DESIGN

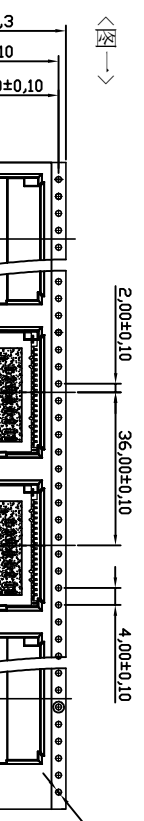
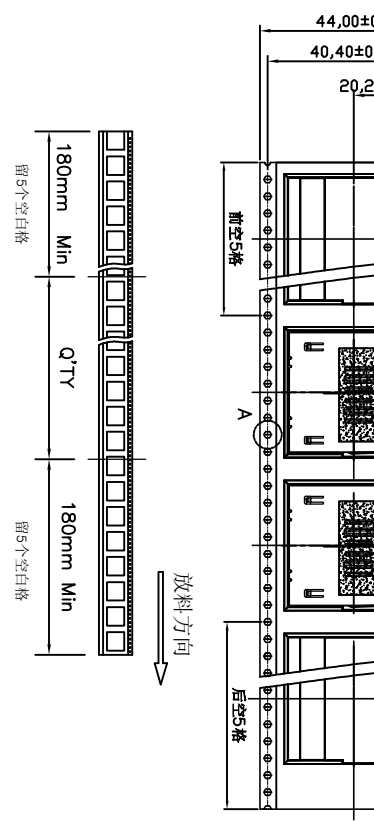
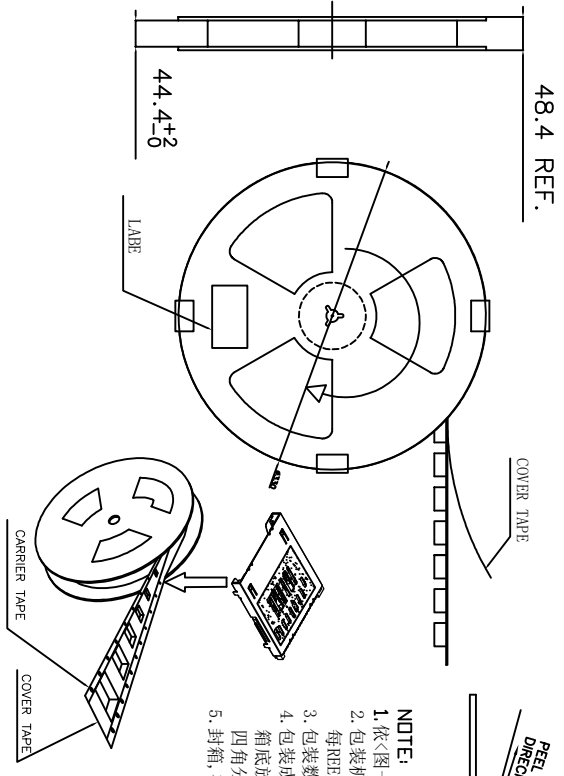
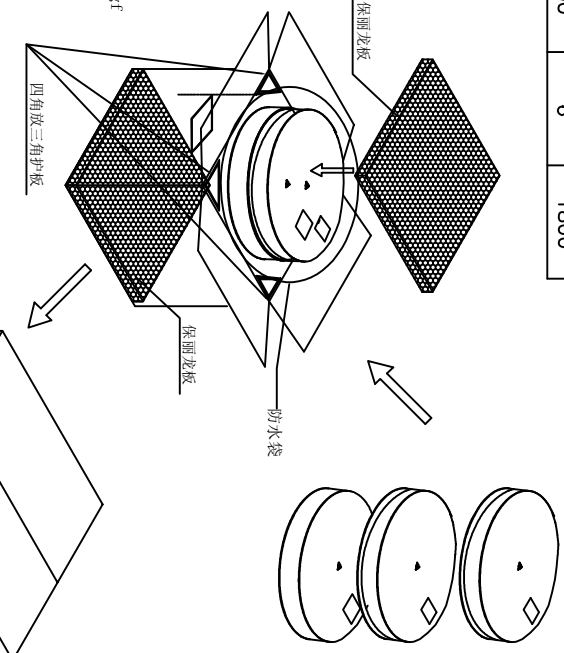
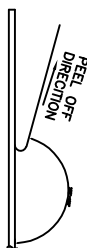


TABLE 1> PACKAGING QUANTITY

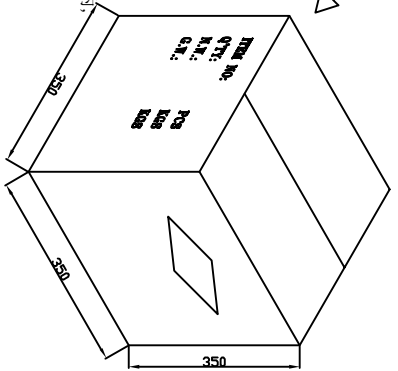
QTY/REEL	REEL/CARTON	QTY/CARTON
300	6	1800



COVER TAPE PEELING FORCE: 50gf~150gf



- NOTE:
1. 依<图一>示放置产品于下载中, 每次放置1PCS产品.
 2. 包装机包好后, 在REEL的个等分点贴上胶带, 以防止REEL弹开, 每REEL贴1PCS标签, 如<图二>所示
 3. 包装数量见如<TABLE 1>所示
 4. 包装成箱见如<图三>所示
 5. 封箱: 在封好的纸箱上按客户要求写上料号, 数量等



Bestcreate Technology Limited

REV: A	UNIT mm	SCALE 1=1	QUALITY SYMBOLS	DESIGN: I.L	DATE: 2017.3.1	TITLE: SD 4.0 P/P 板下中型 (YD/GD) 包装规范	PART NO: SD-20XXSR-007	SIZE: A4
1	2	3	4	5	6	7	8	9
TOLERANCES UNLESS OTHERWISE SPECIFIED:				CHECKED: C.W	DATE: 2017.3.1	MATERIAL:	DWG NO: SD-20XXSR-007	SHEET: 4 OF 4
Website: www.bsc-elec.com				APPROVED: C.W	DATE: 2017.3.1	FINSH:	SHEET: 4 OF 4	
Email: bestcreate@bsc-elec.com								