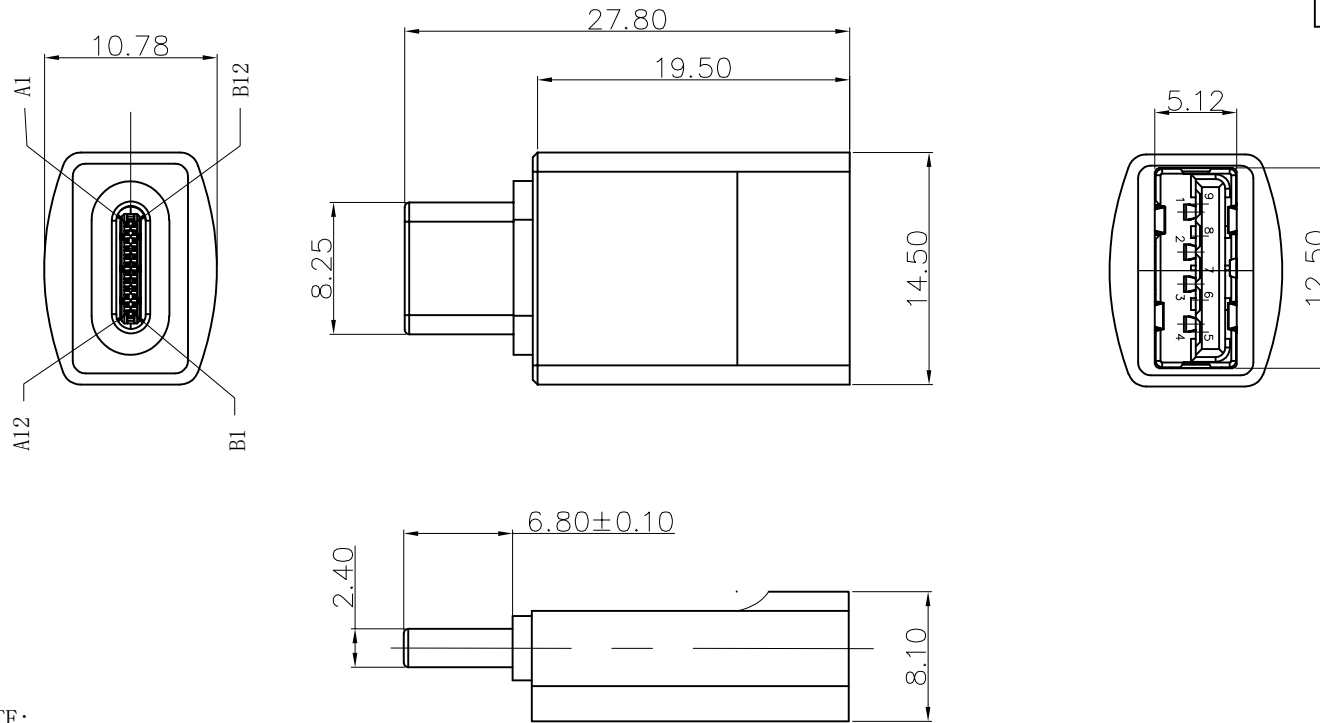
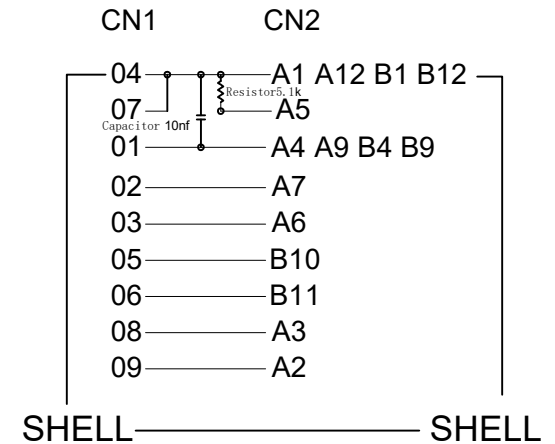


RoHS Compliant

REVISIONS			
REV.	DESCRIPTION	DATE	DESIGN



PIN ASSIGNMENT



NOTE:

1. ELECTRICAL CHARACTERISTICS:
 - 2.1 CONTACT RESISTANCE: 80mΩ Max
 - 2.2 CONTACT CURRENT RATING: 1.5 A
 - 2.3 DIELECTRIC WITHSTANDING VOLTAGE: 100 V R. M. S.
 - 2.4 INSULATION RESISTANCE 100 MEGOHMS Min
 - 2.5 OPERATING TEMPERATURE: -25° C ~ 75° C
2. MECHANICAL CHARACTERISTICS:
 - 2.1 MATING FORCE: USB CM 5~20N & USB3.0 AF 35N Max.
 - 2.2 UNMATED FORCE: USB CM 8~20N & USB3.0 AF 10N Min.
3. PLATING
 - 3.1 TERMINAL CONTACT: (SEE TAB) GOLD PLATING ALL OVER 50u"MIN NICKEL
 - 3.2 SHELL: 50u"MIN. NICEL ALL OVER

Color
White
Black

3	Shell	USB3.0 AF Plastic cover 28*16.24*8.52mm,white&Black	1PCS
2	PVC	PVC 45P,COLOR: WHITE&Black	0.005KG
1	PCBA	USB3.0 AM TO TYPE CF R: 5.1k C: 10nF,nickel plated	1PCS
Item	Name	Part Number	Description
			Q'TY

Bestcreate Technology Limited

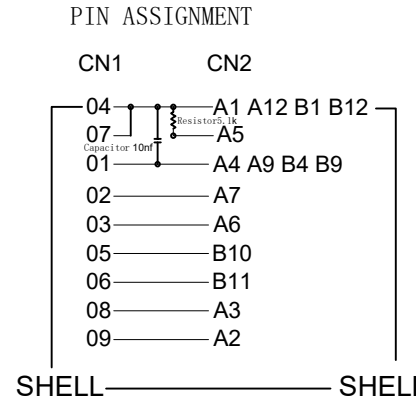
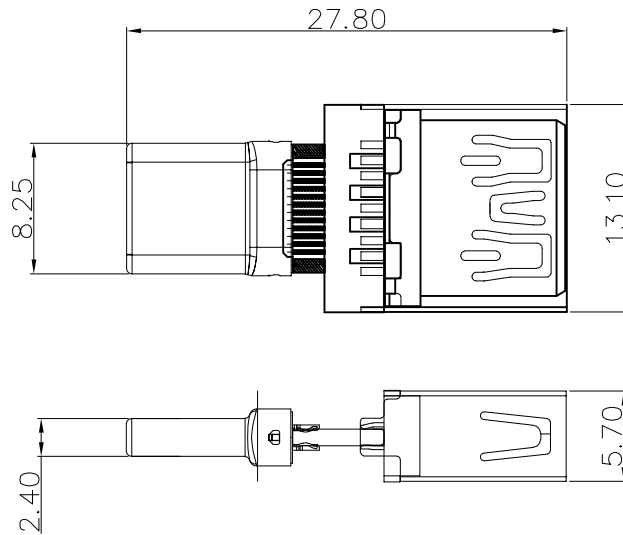
REV: A	UNIT mm	SCALE 1=1	QUALITY SYMBOLS
--------	---------	-----------	-----------------

TOLERANCES UNLESS OTHERWISE SPECIFIED:		DESIGN: DATE: 2017.3.1
X. ± 0.50	X.' ± 5'	I.L
.X ± 0.30	.X' ± 2'	CHECKED: DATE:
.XX ± 0.10	.XX' ± 1'	C.W 2017.3.1
Website: www.bsc-elec.com		APPROVED: DATE:
Email: bestcreate@bsc-elec.com		C.W 2017.3.1

TITLE: USB3.0 AF TO USB 3.1 CM ADAPTER		
MATERILA:	PART NO: AD30AFCM-025	SIZE: A4
FINSH:	DWG NO: AD30AFCM-025	

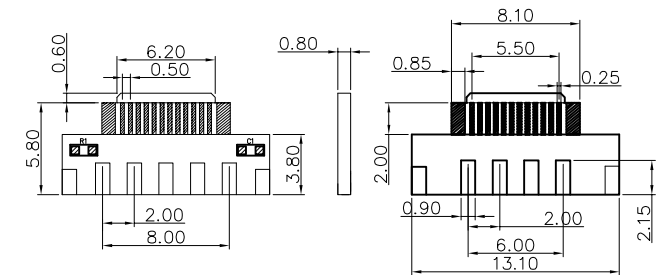
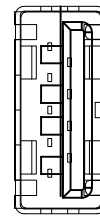
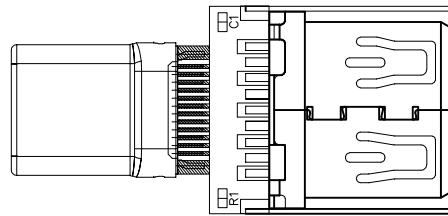
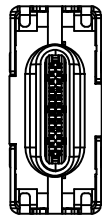
RoHS Compliant

REVISIONS			
REV.	DESCRIPTION	DATE	DESIGN



NOTE:

- ELECTRICAL CHARACTERISTICS:
 - CONTACT RESISTANCE: 80mΩ Max
 - CONTACT CURRENT RATING: 1.5 A
 - DIELECTRIC WITHSTANDING VOLTAGE: 100 V R.M.S.
 - INSULATION RESISTANCE 100 MEGOHMS Min
 - OPERATING TEMPERATURE: -25° C ~ 75° C
- MECHANICAL CHARACTERISTICS:
 - MATING FORCE: USB CM 5~20N & USB3.0 AF 35N Max.
 - UNMATED FORCE: USB CM 8~20N & USB3.0 AF 10N Min.
- PLATING
 - TERMINAL CONTACT: (SEE TAB) GOLD PLATING ALL OVER 50u"MIN NICKEL
 - SHELL: 50u"MIN. NICEL ALL OVER



Color
White
Black

3	Shell	SH10-**00*	USB3.0 AF Plastic cover 28*16.24*8.52mm,white&Black	1PCS
2	PVC	H-F*****	PVC 45P,COLOR: WHITE&Black	0.005KG
1	PCBA	AP-A005-N	USB3.0 AM TO TYPE CF R: 5.1k C:10nF,nickel plated	1PCS
Item	Name	Part Number	Description	Q'TY

Bestcreate Technology Limited

TOLERANCES UNLESS OTHERWISE SPECIFIED:

X.	± 0.50	X.'	± 5'
.X	± 0.30	.X'	± 2'
.XX	± 0.10	.XX'	± 1'

Website: www.bsc-elec.com
Email: bestcreate@bsc-elec.com

DESIGN:	DATE:
I.L	2017.3.1
CHECKED:	DATE:
C.W	2017.3.1
APPROVED:	DATE:
C.W	2017.3.1

TITLE: USB3.0 AF TO USB 3.1 CM ADAPTER		
MATERILA:	PART NO:	SIZE:
	AD30AFCM-025	A4
FINSH:	DWG NO:	
	AD30AFCM-025	

REV: A	UNIT mm	SCALE 1=1	QUALITY SYMBOLS
--------	---------	-----------	-----------------