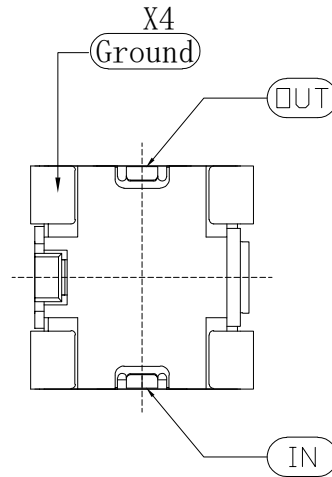
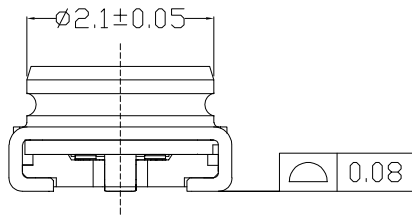
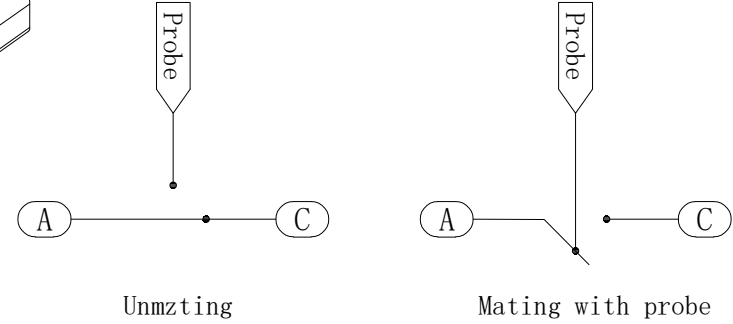
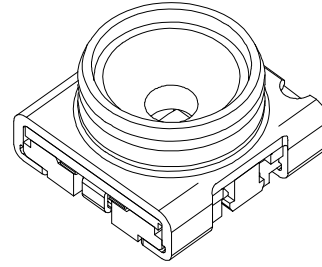
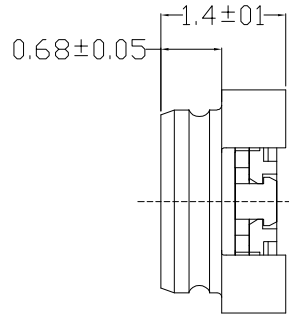
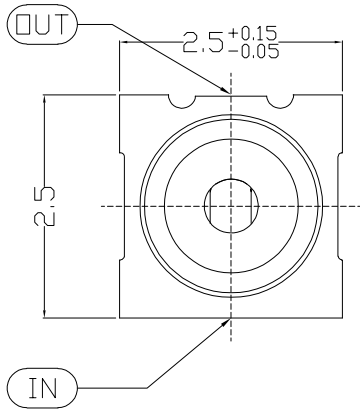


RoHS Compliant

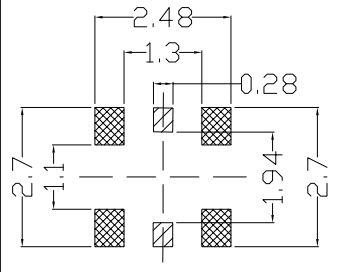
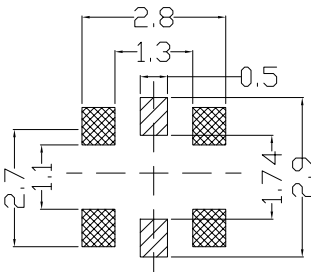
REVISIONS			
REV.	DESCRIPTION	DATE	DESIGN



Notes:

- Material:
 - Contact: High Performance Copper Alloy
 - Shielding Cover: High Performance Copper Alloy
 - Housing: Engineering Plastic.
- Finish:
 - Contact: 50u" Nickel Underplating Overall.
 - Gold Flash 2-3u" on Contact and Solder tail Area.
 - Shielding Cover: 50u" Nickel Underplating Overall.
 - Gold Flash min 1u" on & Solder tails Area.

WEIGHT: 0.0162g



Recommended PCB Layout

Recommend Stencil Mask Pattern

ITEM	PART NUMBER	DESCRIPTION	QTY
1		MHF RF Switch coaxial connector plug vertical (ground contact: gold plating)	1

Bestcreate Technology Limited

TOLERANCES UNLESS OTHERWISE SPECIFIED:

X.	± 0.30	X."	± 3"
.X	± 0.15	.X'	± 2'
.XX	± 0.10	.XX'	± 1'

DESIGN: I.L DATE: 2017. 3. 1

CHECKED: C.W DATE: 2017. 3. 1

APPROVED: C.W DATE: 2017. 3. 1

TITLE: Mini Coaxial Connector RF Switch

MATERIAL: PART NO: SW2006-A001 SIZE: A4

FINISH: DWG NO: SW2006-A001 SHEET 1 OF 2

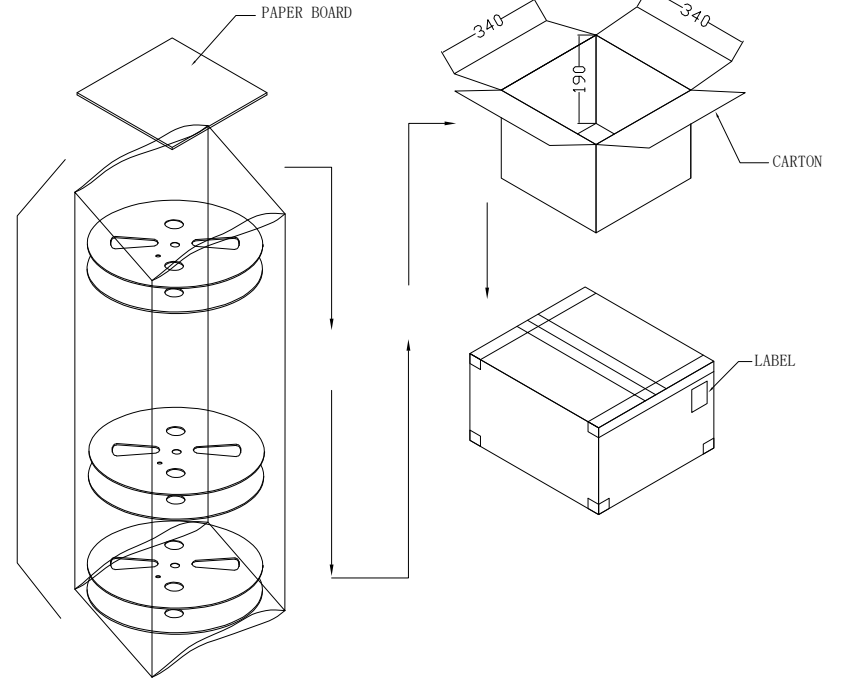
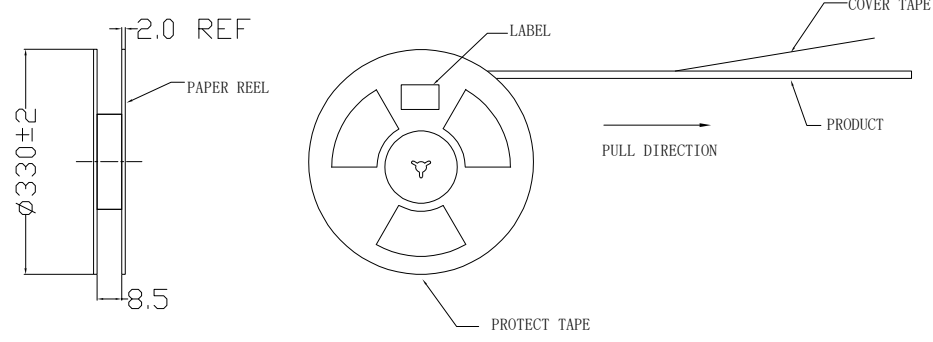
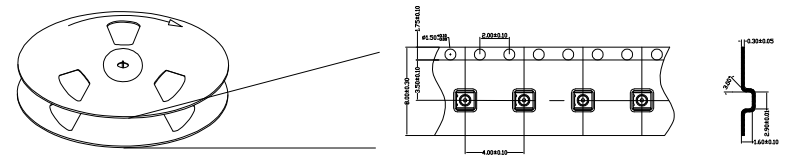
REV: A UNIT mm SCALE 1=1 QUALITY SYMBOLS

Website: www.bsc-elec.com
Email: bestcreate@bsc-elec.com

RoHS Compliant

REVISIONS			
REV.	DESCRIPTION	DATE	DESIGN

PACKING DIRECTION



1: INFORMATIONS OF THE PACKING

PART NUMBER	Q`TY/REEL	Q`TY/CARTON
SW201-001	7000pcs	91000pcs

Bestcreate Technology Limited

TOLERANCES UNLESS OTHERWISE SPECIFIED:

X.	±	0.30	X.*	±	3*
.X	±	0.15	.X*	±	2*
.XX	±	0.10	.XX*	±	1*

Website: www.bsc-elec.com
Email: bestcreate@bsc-elec.com

DESIGN: I. L DATE: 2017. 3. 1
CHECKED: C. W DATE: 2017. 3. 1
APPROVED: C. W DATE: 2017. 3. 1

TITLE: Mini Coaxial Connector RF Switch

MATERILA:	PART NO: SW2006-A001	SIZE: A4
FINSH:	DWG NO: SW2006-A001	SHEET 2 OF 2

REV: A	UNIT: mm	SCALE: 1=1	QUALITY SYMBOLS:
--------	----------	------------	------------------