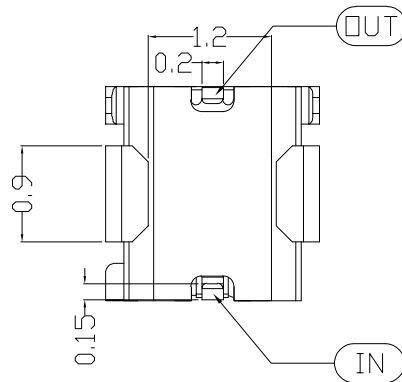
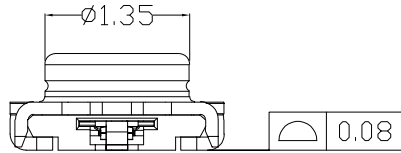
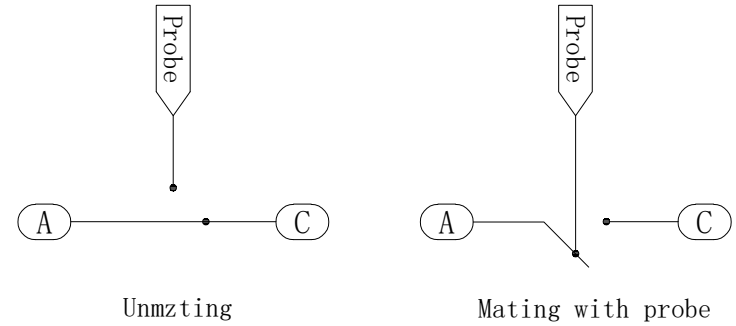
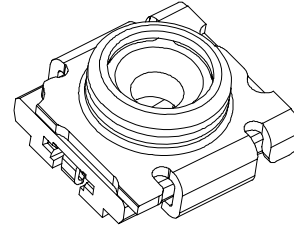
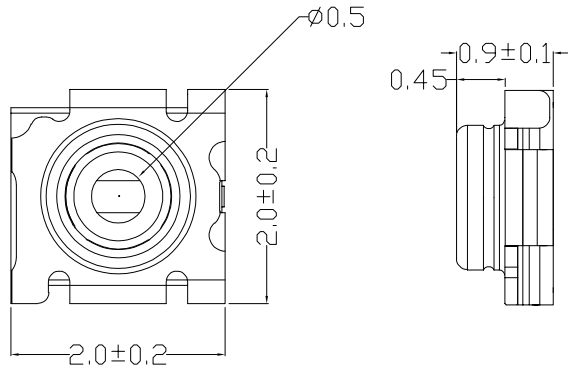


RoHS Compliant

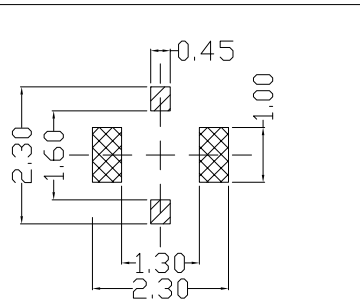
REVISIONS			
REV.	DESCRIPTION	DATE	DESIGN



Notes:

- Material:
 Contact: High Performance Copper Alloy
 Shielding Cover: High Performance Copper Alloy
 Housing: Engineering Plastic.
- Finish:
 Contact: 50u" Nickel Underplating Overall.
 Gold Flash 2-3u" on Contact and Solder Tail Area.
 Shielding Cover: 50u" Nickel Underplating Overall.
 Gold Flash min 1u" on & Solder Tail Area.

WEIGHT: 0.0072g



▨ Contact Pad
 ▩ Shell Pad

Recommended PCB Layout

ITEM	PART NUMBER	DESCRIPTION	QTY
1		MHF RF Switch coaxial connector plug vertical (ground contact: gold plating)	1

Bestcreate Technology Limited

TOLERANCES UNLESS OTHERWISE SPECIFIED:

X.	±	0.30	X.*	±	3'
.X	±	0.15	.X*	±	2'
.XX	±	0.10	.XX*	±	1'

DESIGN: I.L
 DATE: 2017.3.1
 CHECKED: C.W
 DATE: 2017.3.1
 APPROVED: C.W
 DATE: 2017.3.1

TITLE: Mini Coaxial Connector RF Switch
 MATERIAL: PART NO: SW3006-A001
 FINISH: DWG NO: SW3006-A001
 SIZE: A4
 SHEET 1 OF 2

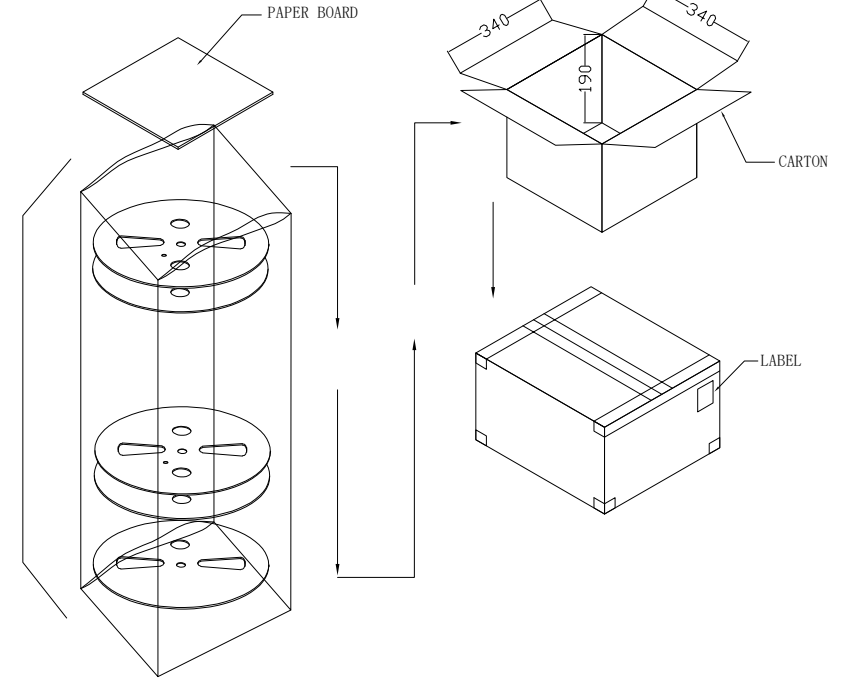
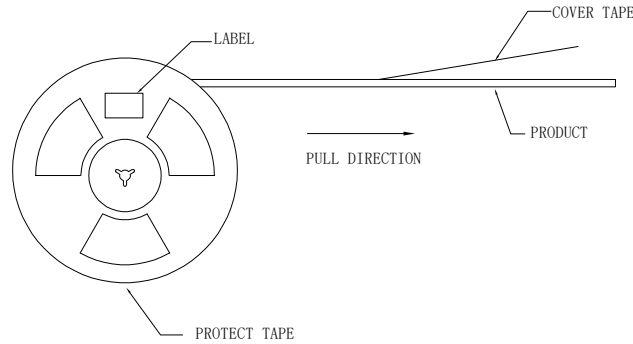
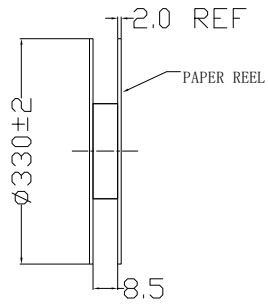
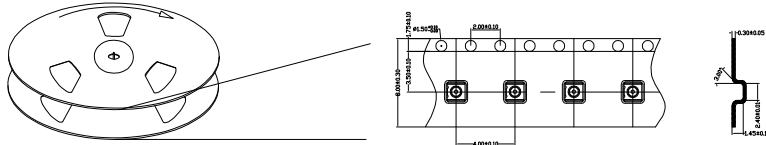
REV: A UNIT mm SCALE 1=1 QUALITY SYMBOLS

Website: www.bsc-elec.com
 Email: bestcreate@bsc-elec.com

RoHS Compliant

REVISIONS			
REV.	DESCRIPTION	DATE	DESIGN

PACKING DIRECTION



1: INFORMATIONS OF THE PACKING

PART NUMBER	Q`TY/REEL	Q`TY/CARTON
SW301-001	10000pcs	130000pcs

1	纸箱	箱规内径: 340*340*190mm K=K	1
ITEM	PART NUMBER	DESCRIPTION	Q`TY

Bestcreate Technology Limited

TOLERANCES UNLESS OTHERWISE SPECIFIED:

X.	±	0.30	X.*	±	3*
.X	±	0.15	.X*	±	2*
.XX	±	0.10	.XX*	±	1*

DESIGN: I. L
 DATE: 2017. 3. 1
 CHECKED: C. W
 DATE: 2017. 3. 1
 APPROVED: C. W
 DATE: 2017. 3. 1

TITLE: Mini Coaxial Connector RF Switch
 MATERIAL: PART NO: SW3006-A001
 FINISH: DWG NO: SW3006-A001
 SIZE: A4
 SHEET 2 OF 2

REV: A UNIT mm SCALE 1=1 QUALITY SYMBOLS

Website: www.bsc-elec.com
 Email: bestcreate@bsc-elec.com