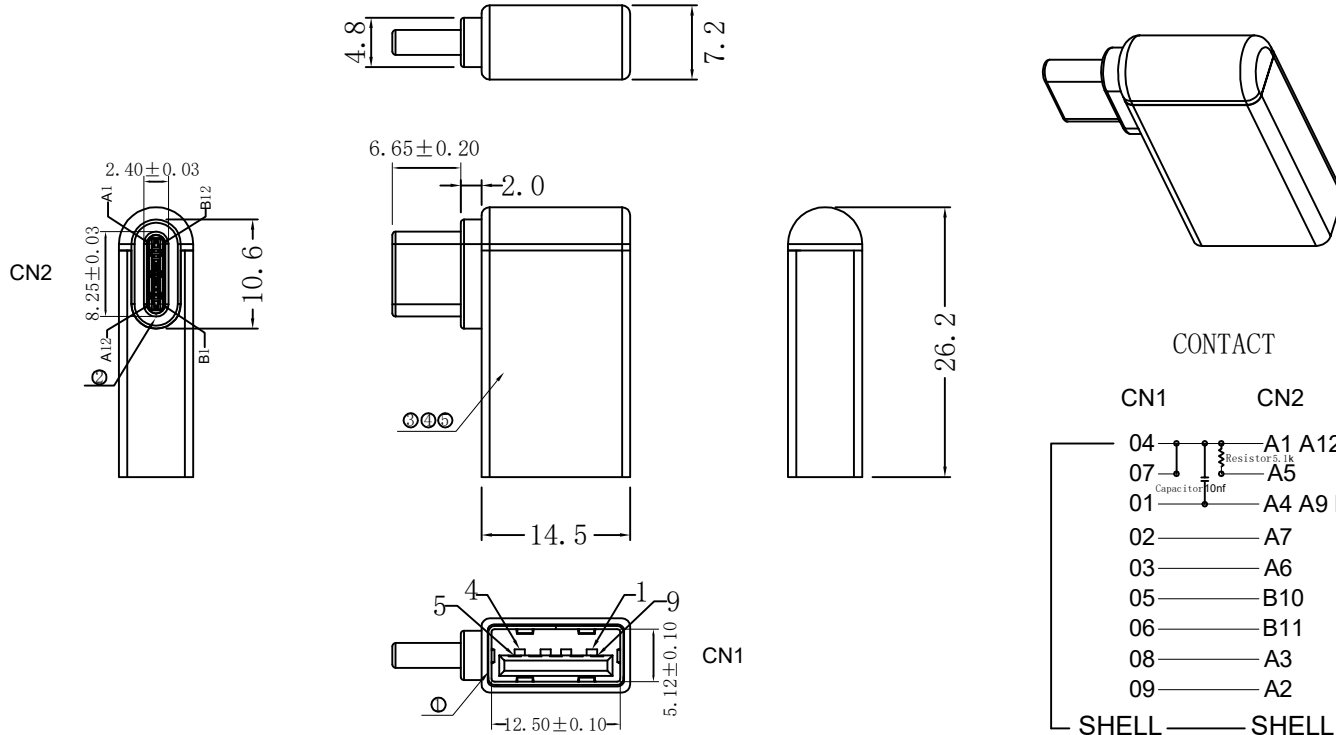


RoHS Compliant

REVISIONS			
REV.	DESCRIPTION	DATE	DESIGN

COLOR
BLACK
SLIVER
GOLD
GRAY
ROSE GOLD



NOTES:

- 100% open short test condition;
- Conductor Resistance $\leq 5 \Omega$, insulation resistance $\geq 10M \Omega$.
High voltage test, DC 300V/10mS.
- Support Power Charging、Data Transfer、OTG Function.
- PCB Board Connection.

5	SHELL	Aluminium Alloy	5.10.21-1	2.3G
4	Internal Mold	PVC BLACK	5.09.02-1	2.4G
3	In-Connection	PCB T=0.8MM 1*BSC7006 Resistor 5.1k 1*BSC7007 Capacitor 10NF	5.12.345	1PCS
2	Connector	USB TYPE CM SUS SHELL PEARL NICKEL PIN G/F	5.03.69	1PCS
1	Connector	USB 3.0 AF SPCC SHELL NICKEL PLATED PIN G/F BLUE	5.03.94	1PCS
NO	NAME	MATERIAL	NO	QTY

Bestcreate Technology Limited

TOLERANCES UNLESS OTHERWISE SPECIFIED:

X.	± 0.50	X*	± 5°
.X	± 0.30	.X*	± 2°
.XX	± 0.10	.XX*	± 1°

Website: www.bsc-elec.com
Email: bestcreate@bsc-elec.com

DESIGN: I. L DATE: 2017. 3. 1

CHECKED: C. W DATE: 2017. 3. 1

APPROVED: C. W DATE: 2017. 3. 1

TITLE: USB3.1 CM TO USB3.0 AF 90°

MATERILA:	PART NO: AD31CMAF-012	SIZE: A4
FINSH:	DWG NO: AD31CMAF-012	

REV: A	UNIT mm	SCALE 1=1	QUALITY SYMBOLS	
--------	---------	-----------	-----------------	--