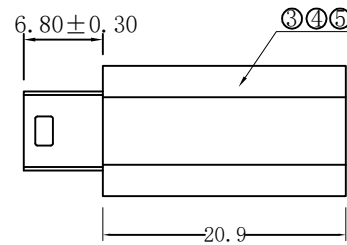
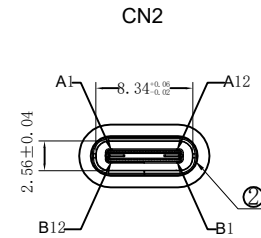
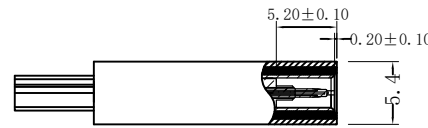
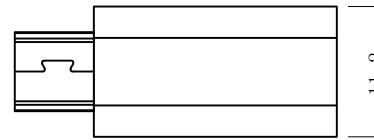
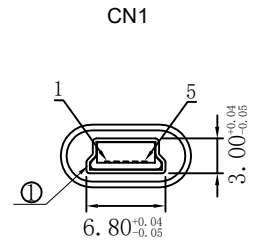


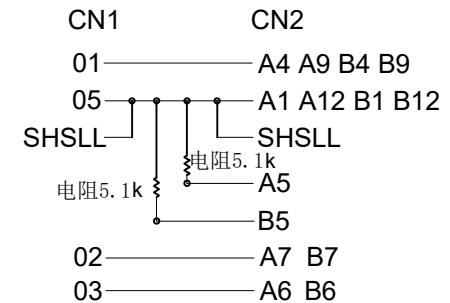
RoHS Compliant

REVISIONS			
REV.	DESCRIPTION	DATE	DESIGN

COLOR
BLACK
SLIVER



CONTACT



NOTES:

- 100% open short test condition;
- Conductor Resistance $\leq 5\Omega$, insulation resistance $\geq 10M\Omega$.
High voltage test, DC 300V/10mS.
- Support Power Charging、Data Transfer.
- PCB Board Connection.

5	SHELL	Aluminium Alloy	5.10.122-1	1PCS
4	Internal Mold	PVC BLACK 45P	5.09.02-1	1.2G
3	In-Connection	PCB T=0.80MM		1PCS
2	Connector	USB TYPE CF SUS SHELL NICKEL PLATING PIN G/F	18.02.14.010	1PCS
1	Connector	USB MINI M SPCC NICKEL PLATED PIN G/F		1PCS
NO	NAME	MATERIAL	NO	QTY

Bestcreate Technology Limited

TOLERANCES UNLESS OTHERWISE SPECIFIED:

X.	± 0.50	X.*	± 5*
.X	± 0.30	.X*	± 2*
.XX	± 0.10	.XX*	± 1*

Website: www.bsc-elec.com
Email: bestcreate@bsc-elec.com

DESIGN: I. L DATE: 2017.3.1

CHECKED: C. W DATE: 2017.3.1

APPROVED: C. W DATE: 2017.3.1

TITLE: USB3.1 CF TO MINI BM 180°

MATERILA: PART NO: AD31CFMINIBM-016 SIZE: A4

FINSH: DWG NO: AD31CFMINIBM-016

REV: A	UNIT: mm	SCALE: 1=1	QUALITY SYMBOLS	
--------	----------	------------	-----------------	--