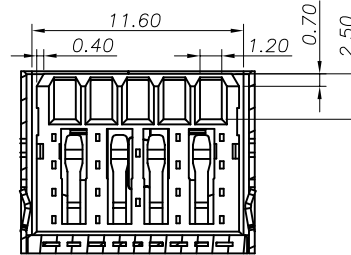
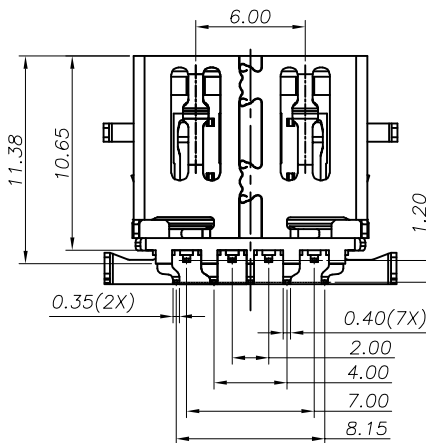
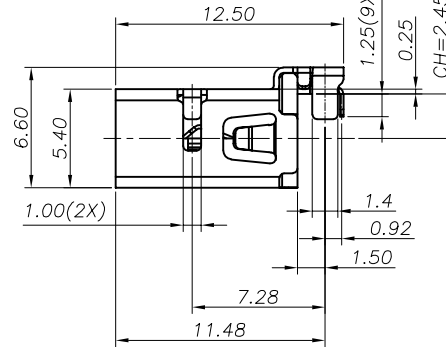
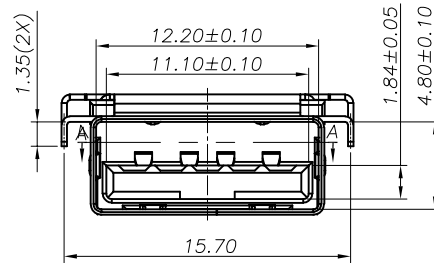
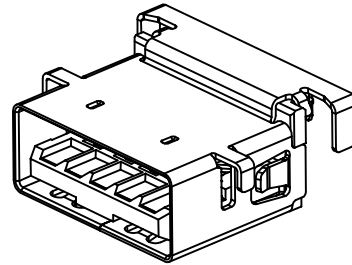
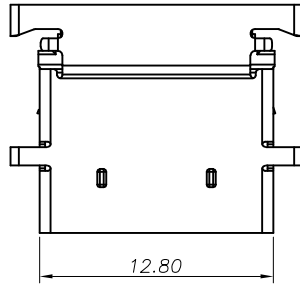


RoHS Compliant

REVISIONS			
REV.	DESCRIPTION	DATE	DESIGN



NOTE:  
 1.MATERIAL SPECIFICATION:  
 1.HOUSING:HIGH TEMPERATURE PLASTIC UL 94 V-0.  
 2.CONTACTS: COPPER ALLOY  
 3.FRONT SHELL: STAINLESS STEEL  
 2.PLATING SPECIFICATION:  
 2-1.TERMINAL:  
 Ni 50u" MIN. UNDER PLATED OVER ALL.  
 Au PLATED ON THE FUNCTIONAL AREA OF CONTACT.  
 (GOLD PLATING THICKNESS FOLLOW THE P/N)  
 PLATING SPECIFICATIONS OF THE SOLDER AREA FOLLOW THE P/N  
 2-2.FRONT SHELL:  
 Ni 30u" MIN. UNDER PLATED OVER ALL.  
 3.MECHANICAL PERFORMANCE,  
 3-1.INSERTION FORCE: 3.5Kgf MAX  
 3-2.REMOVAL FORCE: 1.02kgf MIN  
 3-3.DURABILITY: 1500 CYCLES.  
 4.ELECTRICAL PERFORMANCE,  
 4-1.CURRENT RATING:  
 VBUS & GND PINS: 1.8A MAX.  
 OTHER PINS: 0.25A MAX.  
 4-2. LLCR:  
 VBUS & GND PINS : 30mΩ/PIN MAX.  
 ALL OTHER PINS: 50mΩ/PIN MAX.  
 LLCR MAX. CHANGE OF ALL PINS: 10mΩ.  
 4-3.INSULATION RESISTANCE: 100MΩ MIN  
 4-4.DIELECTRIC WITHSTAND VOLTAGE,AC 100V FOR 1 MINUTE.  
 5. ENVIRONMENTAL PERFORMANCE:  
 OPERATING TEMPERATURE: -55°C~+85°C.  
 6.IR REFLOW:  
 THE PEAK TEMPERATURE ON THE BOARD SHALL  
 BE MAINTAINED FOR 10 SECONDS AT 260°C.  
 PART NO. INFORMATION

**U03-A F X X X X - 5027-V3**

PORT TYPE  
 A: TYPE A

GENDER  
 F: FEMALE  
 M: MALE

CONTACT PLATED  
 1: GOLD FLASH  
 2: GOLD 3U"  
 3: GOLD 5U"  
 4: GOLD 10U"  
 5: GOLD 15U"  
 6: GOLD 30U"

PACKAGE  
 T: TRAY R:TAPE REEL

HOUSING COLOR  
 2: WHITE  
 5: BLACK  
 9: BLUE

HOUSING MATERIAL  
 A: LCP B: PBT  
 C: PA9T D: PA6T  
 E: PA46 F: PA66

TABLE 1

2	U03-AFXA9X-5027-V3	LCP BLUE	Au:G/F	Sn	Ni
1	U03-AFXA5X-5027-V3	LCP BLACK	Au:G/F	Sn	Ni
ITEM	P/N	HOUSING COLOR	FUNCTIONAL AREA	SOLDER AREA	SHELL PLATING
			TERMINAL		

**Bestcreate Technology Limited**

TOLERANCES UNLESS OTHERWISE SPECIFIED:

X.	± 0.30	X.'	± 10'
.X	± 0.20	.X'	± 8'
.XX	± 0.10	.XX'	± 5'

Website: www.bsc-elec.com

E-mail: bestcreate@bsc-elec.com

DESIGN: I. L DATE: 2017. 3. 1

CHECKED: C. W DATE: 2017. 3. 1

APPROVED: C. W DATE: 2017. 3. 1

TITLE: USB 3.0 AF MID MOUNT (L=12.50) H=0.25 CH=2.45

MATERILA: PART NO: U03-AFXAXX-5027-V3 SIZE: A4

FINSH: DWG NO: U03-AFXAXX-5027-V3 SHEET: 1 OF 3

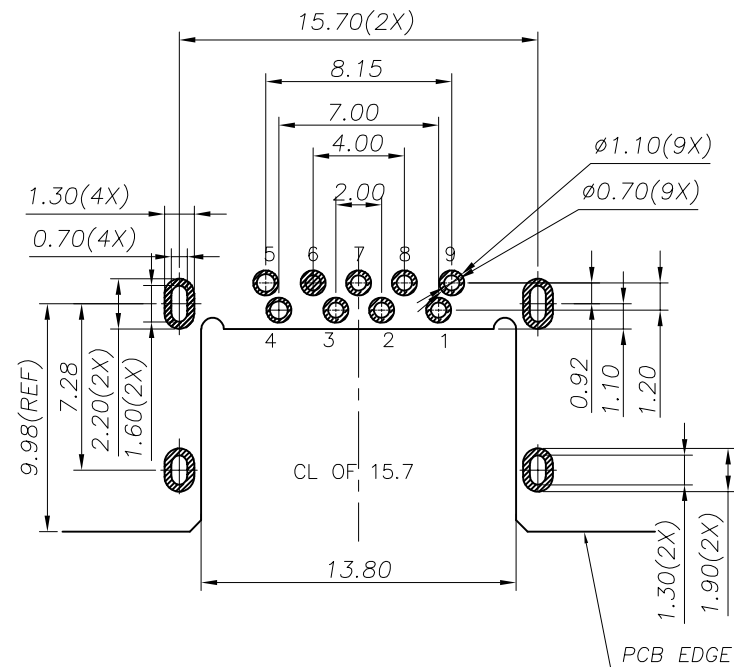
REV: A UNIT mm SCALE 1=1 QUALITY SYMBOLS

RoHS Compliant

REVISIONS			
REV.	DESCRIPTION	DATE	DESIGN

PIN ASSIGNMENTS

PIN NUMBER	SIGNAL NAME	DESCRIPTION
1	VBUS	POWER
2	D-	USB 2.0 DIFFERENTIAL PAIR
3	D+	
4	GND	GROUND FOR POWER RETURN
5	StdA-SSR-	SUPER-SPEED RECEIVER DIFFERENTIAL PAIR
6	StdA-SSR+	
7	GND-DRAIN	GROUND FOR SIGNAL RETURN
8	StdA-SST-	SUPER-SPEED TRANSMITTER DIFFERENTIAL PAIR
9	StdA-SST+	
SHELL	SHIELD	CONNECTOR METAL SHELL



RECOMMENDED PCB LAYOUT(TOP VIEW)  
DEFAULT TOLERANCE:±0.05

**Bestcreate Technology Limited**

TOLERANCES UNLESS OTHERWISE SPECIFIED:

X.	± 0.30	X.*	± 3'
.X	± 0.20	.X*	± 2'
.XX	± 0.15	.XX*	± 1'

DESIGN: I. L DATE: 2017. 3. 1

TITLE: USB 3.0 AF MID MOUNT (L=12.50) H=0.25 CH=2.45

CHECKED: C. W DATE: 2017. 3. 1

MATERILA: PART NO: U03-AFXAXX-5027-V3 SIZE: A4

APPROVED: C. W DATE: 2017. 3. 1

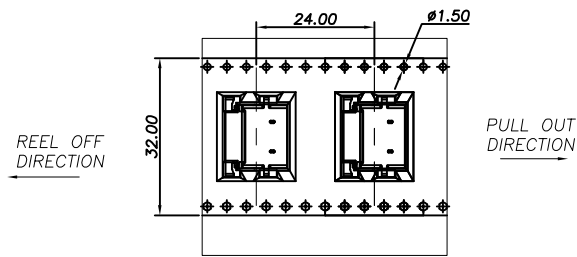
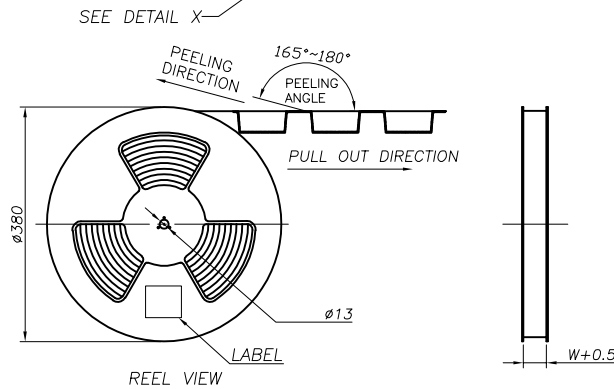
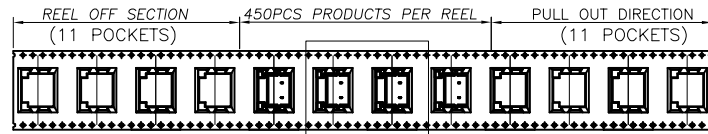
FINSH: DWG NO: U03-AFXAXX-5027-V3 SHEET: 2 OF 3

REV: A UNIT mm SCALE 1=1 QUALITY SYMBOLS

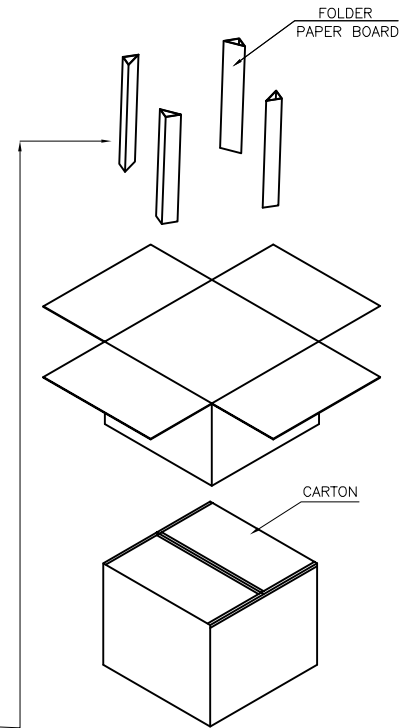
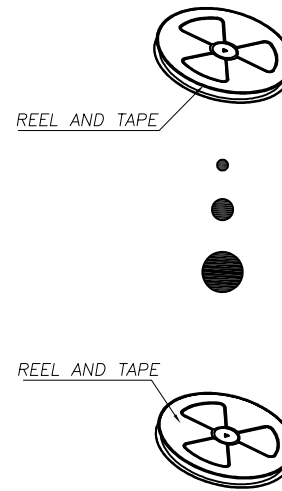
Website: www.bsc-elec.com  
E-mail: bestcreate@bsc-elec.com

RoHS Compliant

REVISIONS			
REV.	DESCRIPTION	DATE	DESIGN



DETAIL X  
SCALE 2:1



	REEL/TRAY	CARTON
CONNECTOR (PCS)	450	3600

# Bestcreate Technology Limited

TOLERANCES UNLESS OTHERWISE SPECIFIED:

X.	$\pm 0.30$	X.'	$\pm 10'$
.X	$\pm 0.20$	.X"	$\pm 8"$
.XX	$\pm 0.10$	.XX"	$\pm 5"$

Website: [www.bsc-elec.com](http://www.bsc-elec.com)  
E-mail: [bestcreate@bsc-elec.com](mailto:bestcreate@bsc-elec.com)

DESIGN: I. L  
DATE: 2017. 3. 1

CHECKED: C. W  
DATE: 2017. 3. 1

APPROVED: C. W  
DATE: 2017. 3. 1

TITLE: USB 3.0 AF MID MOUNT (L=12.50) H=0.25 CH=2.45

MATERILA: PART NO: U03-AFXAXX-5027-V3  
SIZE: A4

FINSH: DWG NO: U03-AFXAXX-5027-V3  
SHEET: 3 OF 3

REV:	UNIT	SCALE	QUALITY SYMBOLS
A	mm	1=1	