

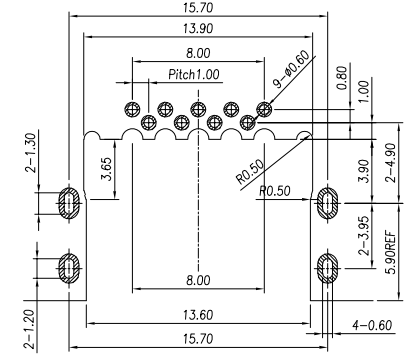
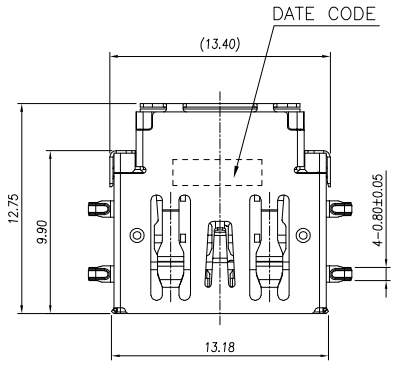
RoHS Compliant

REVISIONS

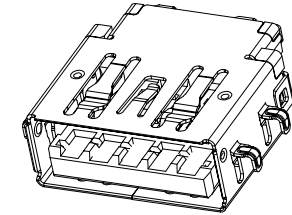
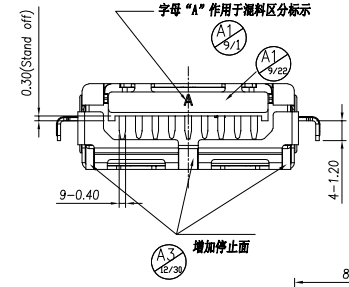
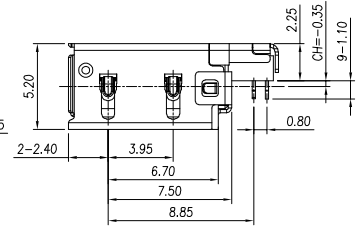
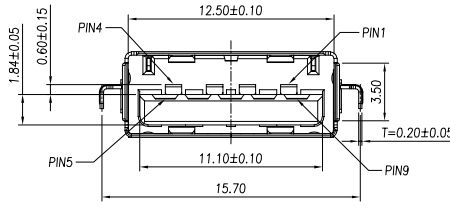
REV.	DESCRIPTION	DATE	DESIGN

NOTE:

- MATERIAL:
 - INSULATOR:PA9T, UL 94 V-0;COLCR BLACK
 - 4PIN CONTACT:C5191(T=0.20mm)
 - 5PIN CONTACT:C2680(T=0.20mm)
 - SHELL:SUS304(T=0.20mm)
- ELECTRICAL CHARACTERISTICS:
 - Current Rating:1.8
 - Insulation Resistance:100MΩ Min
 - Contact Resistance:30mΩ Max
 - Dielectric Withstanding Voltage:500V AC
 - OPERATING TEMPERATURE:-40°C ~ 85°C
- MECHANICAL CHARACTERISTICS:
 - MATING FORCE:35 N Min
 - UNMATED FORCE:10 N Min INITIAL; 8 N Min AFTER TEST
 - DURABILITY:5,000 CYCLES
- PLATING SPECIFICATION:
 - CONTACTS:Ni 50u" MIN. UNDER PLATED,GOLD FLASH PLATED ON THE MATING AREA OF CONTACT.
MATTE Sn 100u" MIN. PLATED ON THE SOLDER TALL.
 - FRONT SHELL:Ni 50u"MIN. UNDER PLATED OVER ALL.
 - Salt Spray 48H

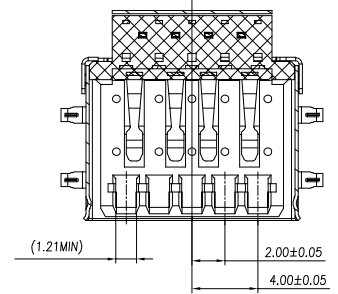
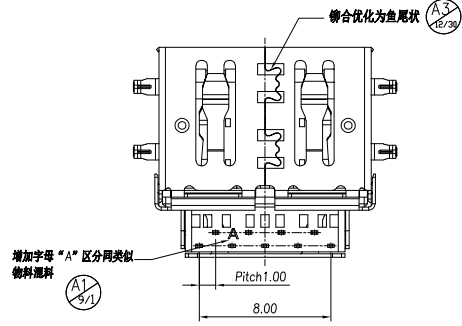
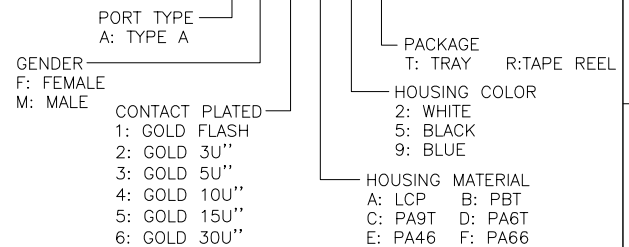


TOLERANCE: ±0.05,
RECOMMENDED PCB LAYOUT
(TOP VIEW)



PART NO. INFORMATION

U03-A F X A X X -5018



Bestcreate Technology Limited

TOLERANCES UNLESS OTHERWISE SPECIFIED:

X.	± 0.30	X.*	± 3*
.X	± 0.20	.X.*	± 2*
.XX	± 0.15	.XX.*	± 1*

Website: www.bsc-elec.com

E-mail: bestcreate@bsc-elec.com

DESIGN: I.L DATE: 2017.3.1

CHECKED: C.W DATE: 2017.3.1

APPROVED: C.W DATE: 2017.3.1

TITLE: USB 3.1 TYPE A 9- H=5.2MM, CH=0.35MM
L=12.75MM REC, RVS, DIP TYPE

MATERILA: PART NO: U03-AFXAXX-5018 SIZE: A4

FINSH: DWG NO: U03-AFXAXX-5018 SHEET: 1 OF 2

REV:	UNIT	SCALE	QUALITY SYMBOLS
A	mm	1=1	