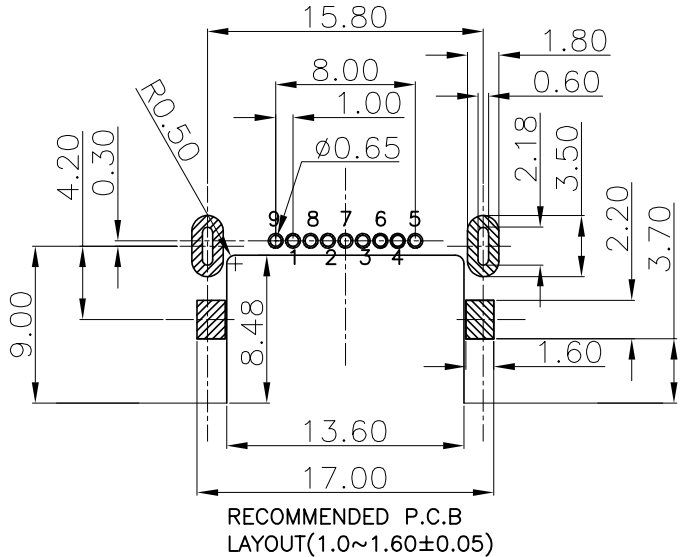
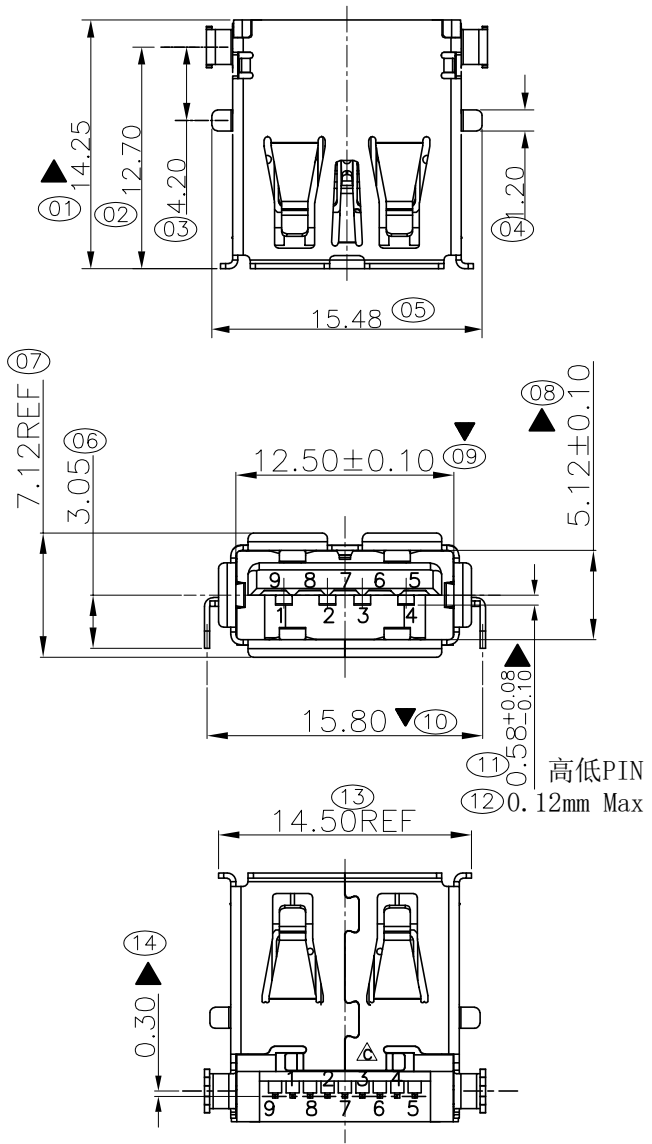


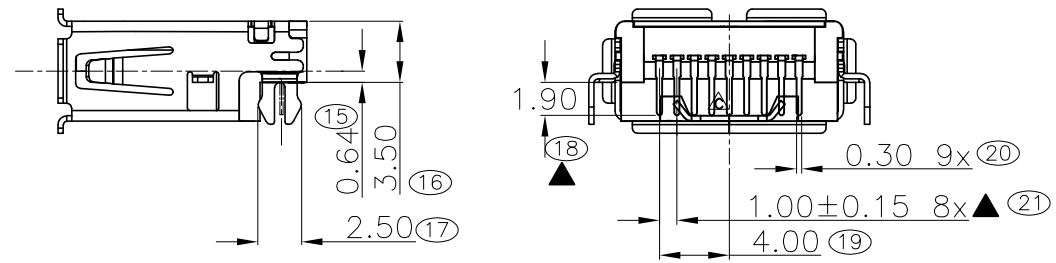
RoHS Compliant

REVISIONS

REV.	DESCRIPTION	DATE	DESIGN

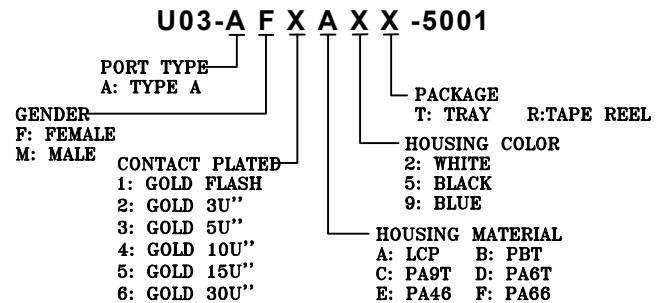


NOTES:  
 1.ELECTRONIC:  
 CONTACT RESISTANCE: 30mohm MAX  
 INSULATION RESISTANCE: 100 Mohm MIN  
 WITHSTAND VOLTAGE:AC 100V,1min.  
 2.MECHANICAL:  
 DURABILITY: 1500 CYCLE.  
 3.ENVIRONMENT CHARACTERISTICS:  
 OPERTING TEMPERATURE:-25°C TO +85°C  
 4." ▼ " FOR MAJOR DIM  
 5." ⊗ " FOR FAI DIM



Pin NUMBER	SIGNAL NAME
1	VBUS
2	D-
3	D+
4	GND
5	StdA_SSRX-
6	StdA_SSRX+
7	GND_DRAIN
8	StdA_SSTX-
9	StdA_SSTX+
Shell	Shield

PART NO. INFORMATION



**Bestcreate Technology Limited**

TOLERANCES UNLESS OTHERWISE SPECIFIED:  
 X. ± 0.30 X.\* ± 3'  
 .X ± 0.20 .X.\* ± 2'  
 .XX ± 0.15 .XX.\* ± 1'

Website: [www.bsc-elec.com](http://www.bsc-elec.com)  
 E-mail: [bestcreate@bsc-elec.com](mailto:bestcreate@bsc-elec.com)

DESIGN: I. L DATE: 2017. 3. 1  
 CHECKED: C. W DATE: 2017. 3. 1  
 APPROVED: C. W DATE: 2017. 3. 1

TITLE: USB 3.0 AF沉板 DIP  
卷边鱼叉脚

MATERILA: PART NO: U03-AFXAXX-5001 SIZE: A4  
 FINSH: DWG NO: U03-AFXAXX-5001 SHEET: 1 OF 1

REV: A	UNIT mm	SCALE 1=1	QUALITY SYMBOLS
--------	---------	-----------	-----------------