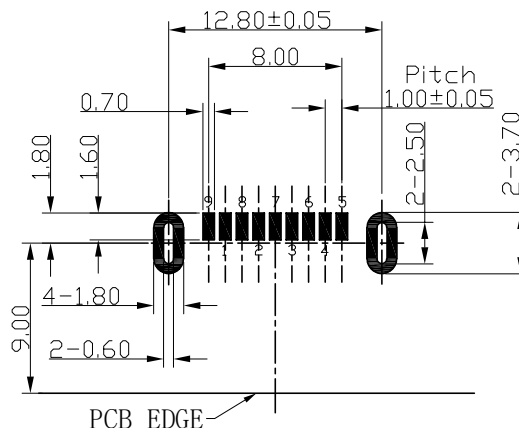
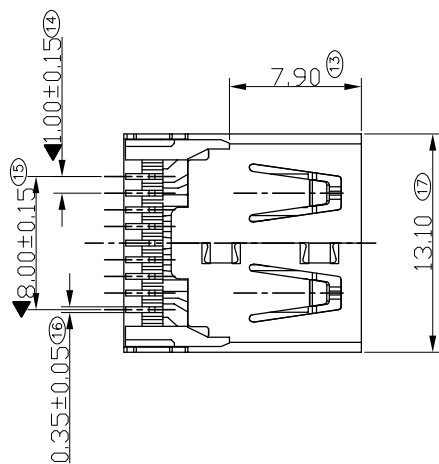
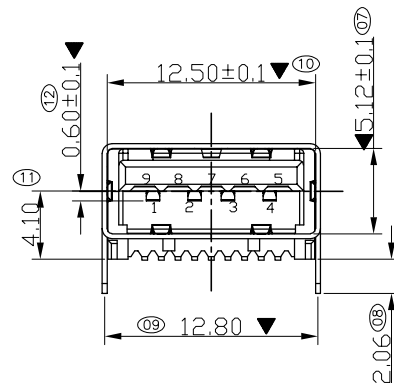
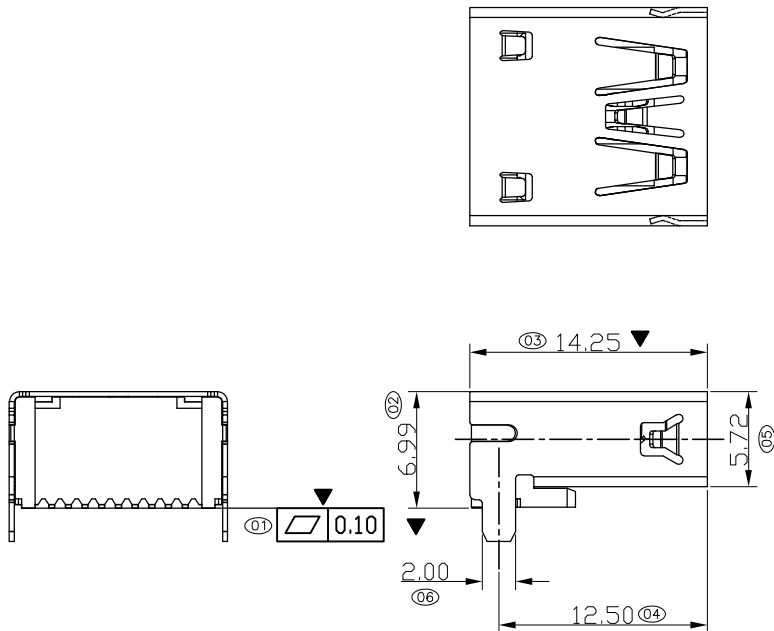


RoHS Compliant

REVISIONS			
REV.	DESCRIPTION	DATE	DESIGN

NOTE:

- MATERIAL:
 - INSULATOR:HIGH TEMPERATURE PLASTIC
 - CONTACT:BRONZE
 - SHELL:SPCC
- ELECTRICAL CHARACTERISTICS:
 - CONTACT RESISTANCE:30mΩ MAXIMUM
 - CONTACT CURRENT RATING:1.5A
 - DIELECTRIC WITHSTANDING VOLTAGE:100 V AC R. M. S.
 - INSULATION RESISTANCE 100 MEGOHMS MIN
 - OPERATING TEMPERATURE:-40° C ~ 85° C
- MECHANICAL CHARACTERISTICS:
 - MATING FORCE:3.57kgf MAX
 - UNMATED FORCE:0.82kgf MIN AFTER TEST
 - DURABILITY MANDATORY:1,500 CYCLES
- PLATING
 - TERMINAL:
 - 50u" MIN NICKEL ALL OVER
 - 80u" MIN Tin ON SOLDER AREA
 - (1~30)u"Au ON CONTACT AREA
 - SHELL:50u"MIN. NICEL ALL OVER
- "▼" FOR MAJOR DIM
- "(XX)" FOR FAI DIM.



RECOMMENDED PCB LAYOUT
TOLERANCE: ±0.05mm

Pin NUMBER	SIGNAL NAME
1	VBUS
2	D-
3	D+
4	GND
5	StdA_SSRX-
6	StdA_SSRX+
7	GND_DRAIN
8	StdA_SSTX-
9	StdA_SSTX+

Shell Shield

PART NO. INFORMATION

U03-A F X A X X -3007 -V2

- PORT TYPE: A: TYPE A
- GENDER: F: FEMALE, M: MALE
- CONTACT PLATED:
 - 1: GOLD FLASH
 - 2: GOLD 3U"
 - 3: GOLD 5U"
 - 4: GOLD 10U"
 - 5: GOLD 15U"
 - 6: GOLD 30U"
- PACKAGE: T: TRAY, R: TAPE REEL
- HOUSING COLOR:
 - 2: WHITE
 - 5: BLACK
 - 9: BLUE
- HOUSING MATERIAL:
 - A: LCP, B: PBT
 - C: PA9T, D: PA6T
 - E: PA46, F: PA66

Bestcreate Technology Limited

TOLERANCES UNLESS OTHERWISE SPECIFIED:

X.	± 0.30	X.*	± 3'
.X	± 0.20	.X*	± 2'
.XX	± 0.15	.XX*	± 1'

Website: www.bsc-elec.com
E-mail: bestcreate@bsc-elec.com

DESIGN: I.L. DATE: 2017.3.1

CHECKED: C.W. DATE: 2017.3.1

APPROVED: C.W. DATE: 2017.3.1

TITLE: USB 3.0 AF板上SMT短体
L14.25铁壳无卷边两插板脚

MATERIAL: U03-AFXAXX-3007-V2 PART NO: U03-AFXAXX-3007-V2 SIZE: A4

FINISH: U03-AFXAXX-3007-V2 DWG NO: U03-AFXAXX-3007-V2 SHEET: 1 OF 1

REV: A UNIT mm SCALE 1=1 QUALITY SYMBOLS