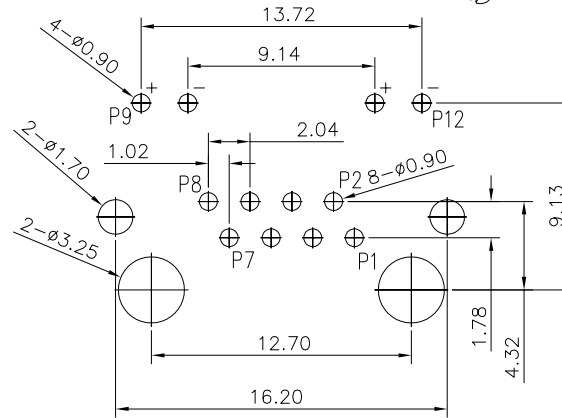
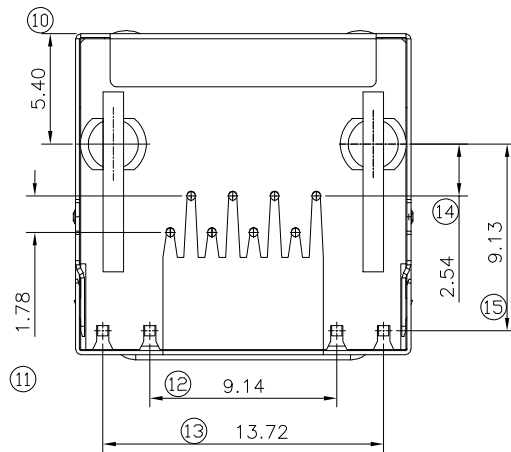
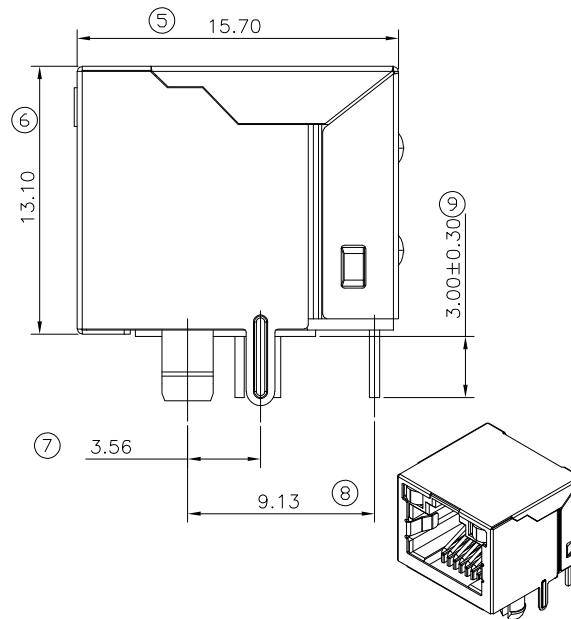
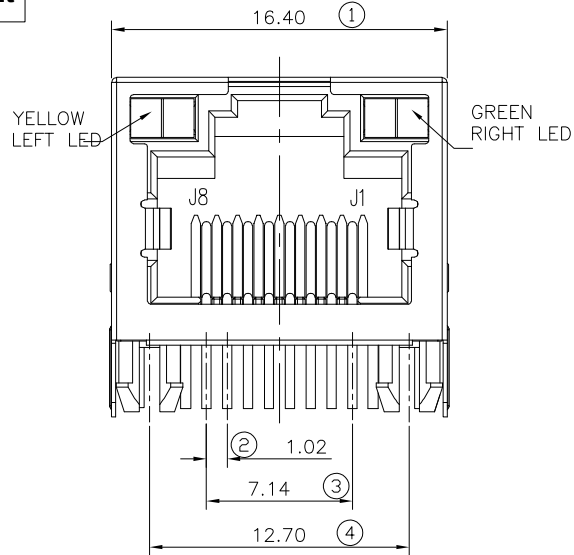


RoHS Compliant

REVISIONS

REV.	DESCRIPTION	DATE	DESIGN



RECOMMENDED P.C.B LAYOUT
TOP VIEW (COMPONENT SIDE)
(TOLERANCE:±0.05)

NOTE:

1. MATERIAL:

1.1 HOUSING: (HIGH TEMP.)THERMOPLASTIC
UL94V-0 BLACK

1.2 CONTACT: 0.46mm DIA COPPER ALLOY

1.3 SHELL: COPPER ALLOY

2. FINISH:

2.1 CONTACT: GOLD PLATED OVER

2.2 SHELL: NICKEL PLATING OVERALL

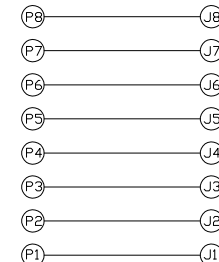
3.DURRABILIT: 750 CYCLES MIN

3.1. OPERATION: -40°C~+70°C



LED Color	λ P(nm)	VF @IF=20mA	IR @VR=5V
GREEN	565	1.8~2.4 V	10 uA max
YELLOW	585	1.8~2.4 V	10 uA max

3. 原理图:



4. 引脚定义:

Pin位	Name	Description
P1	TX+	Tranceive Data+ (数据号+)
P2	TX-	Tranceive Data- (数据号-)
P3	RX+	Receive Data+ (数据号+)
P4	N/C	Not connected (空脚)
P5	N/C	Not connected (空脚)
P6	RX-	Receive Data- (数据号-)
P7	N/C	Not connected (空脚)
P8	N/C	Not connected (空脚)

PART NO. INFORMATION

RJ01- X 1 C X - 084

CONTACT PLATED

1: G/F 2: AU 3U"
3: AU 5U" 4: AU 10U"
5: AU 15U" 6: AU 30U"

PACKAGE
R: TAPE REEL
T: TRAY

HOUSING:

1:L-YELLOW R-GREEN
2:L-GREEN R-YELLOW

A:LCP BLACK
C:PBT BLACK

B:PA9T BLACK

5	铜壳	5-2C2680-002	5J 带灯无弹铜壳	1
4	绿灯	4-1128G	2X3X4 碑形 L=26/28mm 雾面绿光	1
3	黄灯	4-1128Y	2X3X4 碑形 L=26/28mm 雾面黄光	1
2	主体	1-5JA-001	5J带灯 黑色PBT 竖向香菇脚	1
1	金线	2-1100-001	Flash gold 金线 Φ=0.46mm	8
序号	名称	料号	品名规格	用量

Bestcreate Technology Limited

TOLERANCES UNLESS OTHERWISE SPECIFIED:

.X	± 0.35	.X'	± 3'
.XX	± 0.25	.X''	± 2'
.XXX	± 0.15	.XX''	± 1'

Website:www.bsc-elec.com

Email:bestcreate@bsc-elec.com

DESIGN: I. L DATE: 2017. 3. 1

CHECKED: C. W DATE: 2017. 3. 1

APPROVED: C. W DATE: 2017. 3. 1

TITLE: RJ45 CONNECTOR DIP
90DEGREE WITH LEDs

MATERILA: PART NO: RJ01-X1CX-084 SIZE: A4

FINSH: DWG NO: RJ01-X1CX-084

REV: A	UNIT mm	SCALE 1=1	QUALITY SYMBOLS
--------	---------	-----------	-----------------