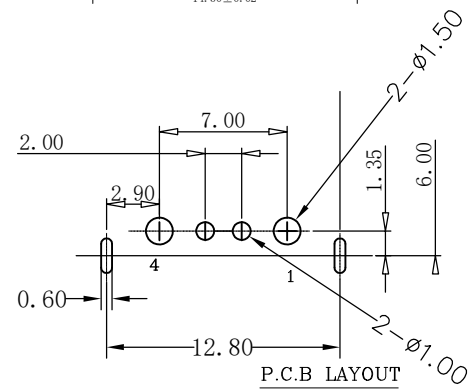
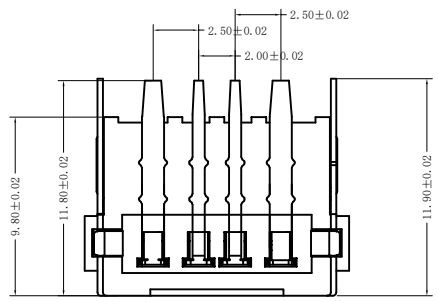
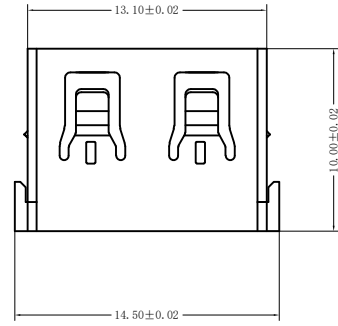
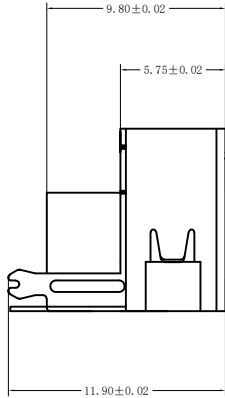
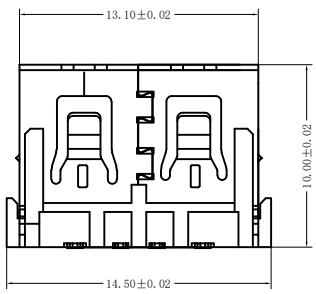
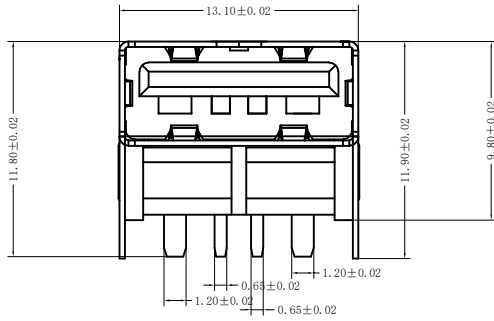


RoHS Compliant

REVISIONS			
REV.	DESCRIPTION	DATE	DESIGN



规格说明:Specifications:

物理性能:Mechanical:

- 插拔力: Connector Mate and Unmate Force
Mate force:3.57kgf (MAX)
Unmate force:1.02kgf (MIN)
- 端子保持力: Terminal Retention
1.2kgf (MIN)

原材料:Material:

- 塑胶:Housing:
Hing Temperature Thermoplastics,
UI 94V-0 PBT White/Black
- 端子>Contact:Copper Alloy C2680
- 外壳:Shell: Copper Alloy C2680/SPCC

电镀:Finish:

- 端子>Contact: Plated Gold in Mating Area;
Tin On Solder Talls
- 外壳:Shell:
Nickel Plating

PART NO. INFORMATION

U02-5AFXXXT-006

PIN NUMBER: 5: 5PIN
PORT TYPE: A: TYPE A
GENDER: F: FEMALE, M: MALE
CONTACT PLATED: 1: GOLD FLASH, 2: GOLD 3U'', 3: GOLD 5U'', 4: GOLD 10U'', 5: GOLD 15U'', 6: GOLD 30U''
PACKAGE: T: TRAY R: TAPE&REEL
HOUSING COLOR: 1: ORANGE, 2: BLUE, 5: BLACK, 9: GREEN
HOUSING MATERIAL: A: LCP, B: PBT, C: PA9T, D: PA6T, E: PA46, F: PA66

Bestcreate Technology Limited

TOLERANCES UNLESS OTHERWISE SPECIFIED:	
.X ± 0.30	X.' ± 5'
.XX ± 0.20	.X' ± 2'
.XXX ± 0.10	.XX' ± 1'
Website:www.bsc-elec.com	
Email:bestcreate@bsc-elec.com	

DESIGN:	DATE:
I. L	2017. 3. 1
CHECKED:	DATE:
C. W	2017. 3. 1
APPROVED:	DATE:
C. W	2017. 3. 1

TITLE:		
USB 2.0 A FEMALE CONNECTOR 90° DIP T=9.8 10.6mm		
MATERILA:	PART NO:	SIZE:
	U02-5AFXXXT-006	A4
FINSH:	DWG NO:	
	U02-5AFXXXT-006	

REV:	UNIT	SCALE	QUALITY SYMBOLS
A	mm	1=1	