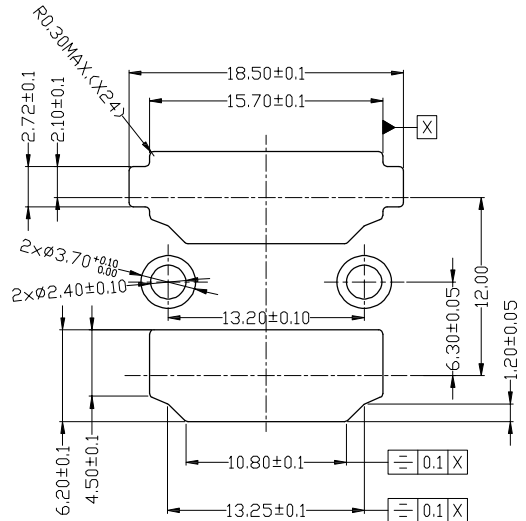
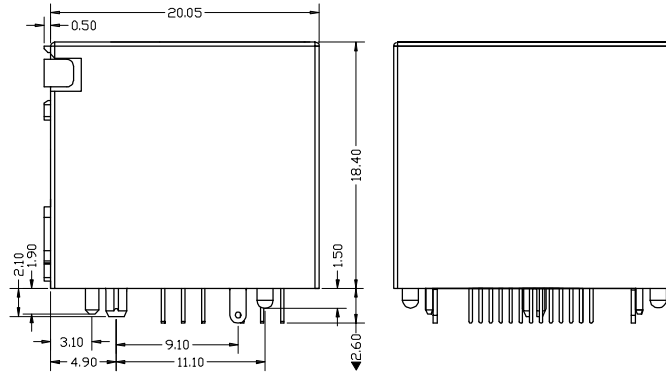
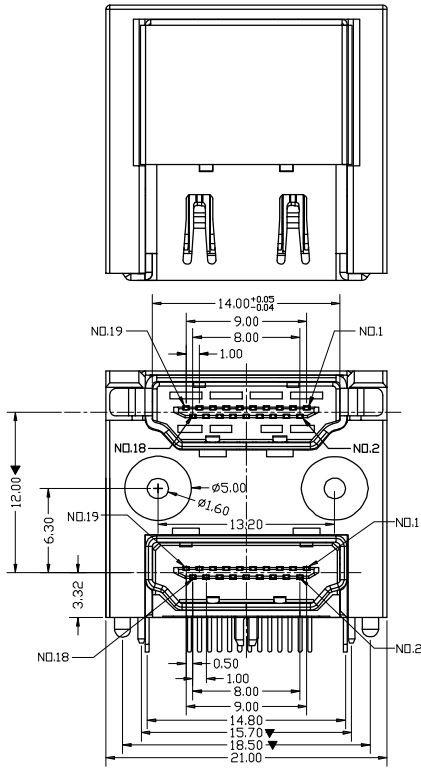


RoHS Compliant

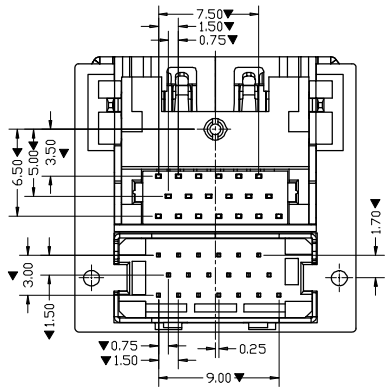
**SPECIFICATIONS**

SPECIFICATIONS  
 OPERATING CURRENT: 0.5A MAX.  
 OPERATION TEMPERATURE: -25°C TO +85°C  
 DIELECTRIC WITHSTANDING VOLTAGE:  
 500volts AC BETWEEN ADIACENT TERMINAL(UNMATE )  
 300volts AC BETWEEN ADIACENT TERMINAL(MATE )  
 INSULATION RESISTANCE:  
 100Mohm MIN.(UNMATED);10Mohm MIN.(MATED)

REVISIONS			
REV.	DESCRIPTION	DATE	DESIGN



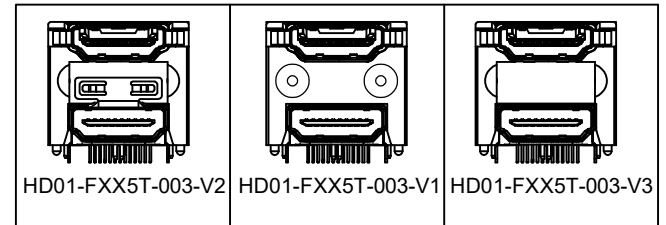
REFERENCE PANEL CUT OUT DIMENSION



**PART NO. INFORMATION**

**DHD01 - F X X 5 T - 003 - V1**

- GENDER  
F: FEMALE  
M: MALE
- CONTACT PLATED  
1: GOLD FLASH  
2: GOLD 3U"  
3: GOLD 5U"  
4: GOLD 10U"  
5: GOLD 15U"  
6: GOLD 30U"
- PACKAGE  
R: TAPE REEL
- HOUSING COLOR  
2: WHITE  
5: BLACK  
9: NATURE
- HOUSING MATERIAL  
A: LCP B: PBT  
C: PA9T D: PA6T  
E: PA46 F: PA66



NOTE:  
THE ▼ MARKER DIMENSIONS ARE IMPORTANT AND SHOULD BE CONTROLLED BY QC

**Bestcreate Technology Limited**

REV: A	UNIT: mm	SCALE: 1=1	QUALITY SYMBOLS
--------	----------	------------	-----------------

TOLERANCES UNLESS OTHERWISE SPECIFIED:			
X.	± 0.50	X.'	± 3'
.X	± 0.25	.X'	± 2'
.XX	± 0.15	.XX'	± 1'

Website: www.bsc-elec.com  
 Email: bestcreate@bsc-elec.com

DESIGN: I.L	DATE: 2017.3.1
CHECKED: C.W	DATE: 2017.3.1
APPROVED: C.W	DATE: 2017.3.1

TITLE: DUAL HDMI STACKED CONNECTOR THROUGH HOLE TYPE		
MATERIAL: FINSH:	PART NO: DHD01-FXX5T-003-V1	SIZE: A4
	DWG NO: DHD01-FXX5T-003-V1	