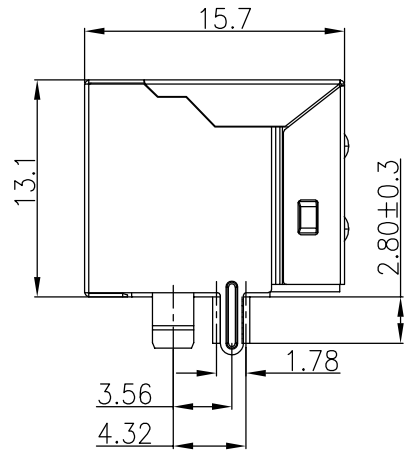
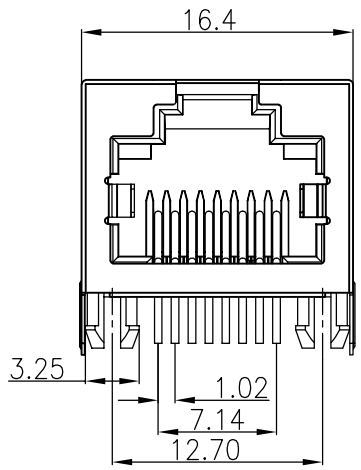


RoHS Compliant

REVISIONS			
REV.	DESCRIPTION	DATE	DESIGN



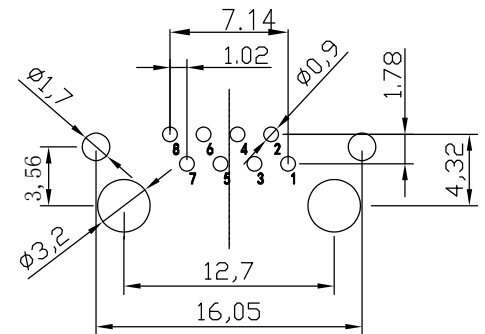
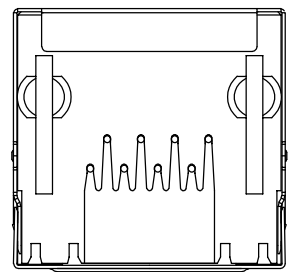
NOTES

MATERIAL
 1. HOUSING MATERIAL : GLASS FILLED POLYESTER UL94V-0.
 2. CONTACT MATERIAL : PHOSPHOR BRONZE Ø0.46mm.
 3. PLATING : SELECT GOLD PLATING OVER NICKEL 50u" .
 4. SHIELD : BRASS TO.20mm 40u" NICKEL PLATED.

ELECTRICAL
 1. VOLTAGE RATING : 125 VAC RMS.
 2. CURRENT RATING : 1.5 AMP.
 3. CONTACT RESISTANCE : 40 MILLIOHMS MAX.
 4. INSULATION RESISTANCE : 500 MEGOHMS MIN @ 100V DC .
 5. DIELECTRIC DIELECTRIC RESISTANCE : 500V DC RMS 50Hz. 1MIN.

MECHANICAL
 1. DURRABILITY : 750 CYCLES MIN.
 2. MATING/UNMATING FORC : 2.24 KG. F MAX.

ENVIRONMENTAL:
 1. STORAGE : -40°C ~ +85°C.
 2. OPERATION : -40°C ~ +85°C.



PCBLAYOUT T=1.6mm
TOL:±0.05

PART NO. INFORMATION

RJ01- X 5 X X - 011 - V1

CONTACT PLATED
 1: G/F 2: AU 3U"
 3: AU 6U" 4: AU 15U"

PACKAGE
 R: TAPE REEL
 T: TRAY

HOUSING COLOR:
 1:P46T BLACK 2:PBT BLACK
 3:PBT YELLOW

8	/
7	/
6	RX-
5	/
4	/
3	RX+
2	TX-
1	TX+
PIN序说明	

Bestcreate Technology Limited

TOLERANCES UNLESS OTHERWISE SPECIFIED:			
.X	± 0.30	X'	± 3'
.XX	± 0.20	.X'	± 2'
.XXX	± 0.10	.XX'	± 1'

DESIGN:	DATE:
I. L	2017. 3. 1
CHECKED:	DATE:
C. W	2017. 3. 1
APPROVED:	DATE:
C. W	2017. 3. 1

TITLE: RJ45 56 8P8C CONNECTOR DIP TYPE		
MATERILA:	PART NO: RJ01-X5XX-011-V1	SIZE: A4
FINSH:	DWG NO: RJ01-X5XX-011-V1	

Website: www.bsc-elec.com
 Email: bestcreate@bsc-elec.com

REV: A	UNIT mm	SCALE 1=1	QUALITY SYMBOLS
-----------	------------	--------------	-----------------