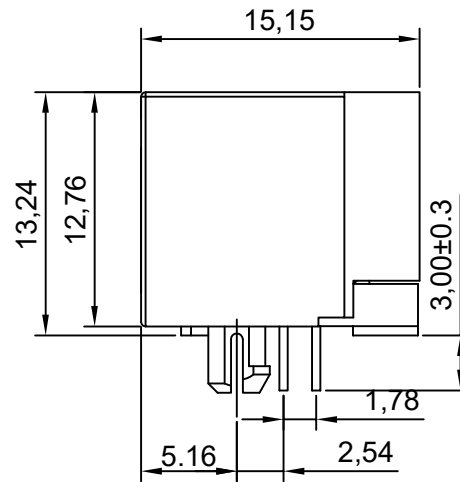
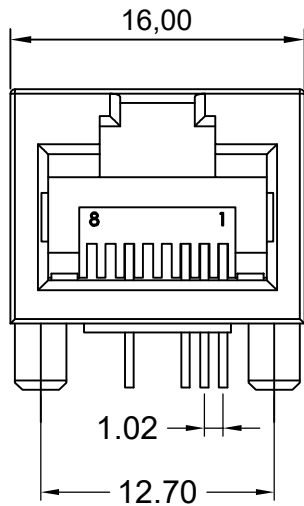


RoHS Compliant

REVISIONS			
REV.	DESCRIPTION	DATE	DESIGN



NOTES :

ELECTRICAL :

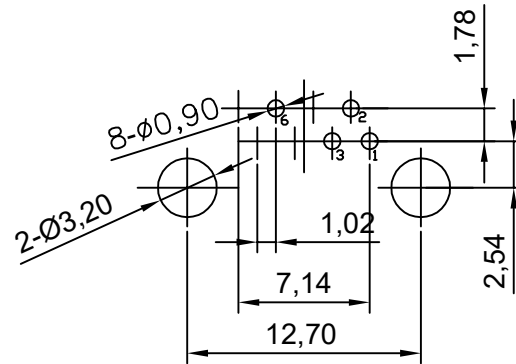
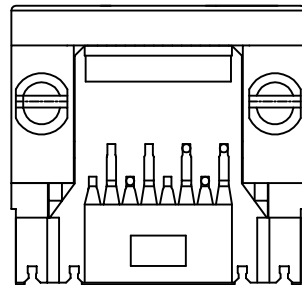
- 1. VOLTAGE RATING : 125 VAC RMS.
- 2. CURRENT RATING : 1.5 AMP.
- 3. CONTACT RESISTANCE : 40 MILLIOHMS MAX.
- 4. INSULATION RESISTANCE : 500 MEGOHMS MIN @ 500 VDC.
- 5. DIELECTRIC STRENGTH : 500 VDC RMS 50Hz or 60Hz, 1MIN.

MECHANICAL :

- 1. HOUSING & INSERT MATERIAL : PBT/PA46 UL94V-0.
- 2. CONTACT MATERIAL : $\phi 0.46$ PHOSPHOR BRONZE GOLD PLATING OVER NICKEL.
- 3. MATING/UNMATING FORCE : 2.24KG. F MAX.
- 4. OPERATING LIFE : 750 CYCLES MIN.

ENVIRONMENTAL :

- 1. STORAGE : -40°C~+85°C.
- 2. OPERATION : -40°C~+85°C.



PART NO. INFORMATION

RJ01- X 5 X X - 020

CONTACT PLATED

- 1: G/F
- 2: AU 3U"
- 3: AU 6U"
- 4: AU 15U"
- 5: AU 30U"

PACKAGE

- R: TAPE REEL
- T: TRAY

HOUSING:

- 1:PBT BLACK
- 2:PBT YELLOW
- 3:PBT BLUE

PCBLAYOUT

TOL: ±0.05

Bestcreate Technology Limited

TOLERANCES UNLESS OTHERWISE SPECIFIED:

.X	± 0.30	X.	± 3'
.XX	± 0.20	.X'	± 2'
.XXX	± 0.10	.XX'	± 1'

Website: www.bsc-elec.com

Email: bestcreate@bsc-elec.com

DESIGN: I. L. DATE: 2017. 3. 1

CHECKED: C. W. DATE: 2017. 3. 1

APPROVED: C. W. DATE: 2017. 3. 1

TITLE: RJ45 5623 8P4C FEMALE CONNECTOR DIP TYPE

MATERIAL: PART NO: RJ01-X5XX-020 SIZE: A4

FINSH: DWG NO: RJ01-X5XX-020

REV: A UNIT mm SCALE 1=1 QUALITY SYMBOLS

1

2

3

4

5

6

7

8