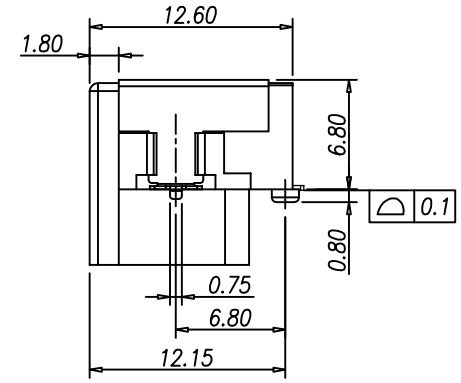
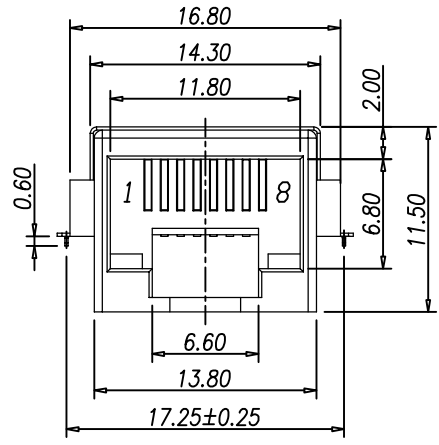


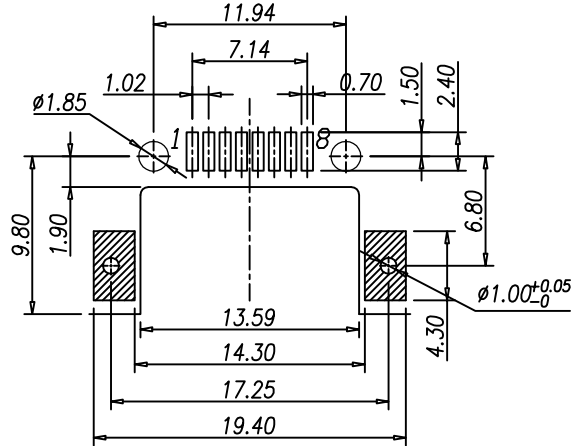
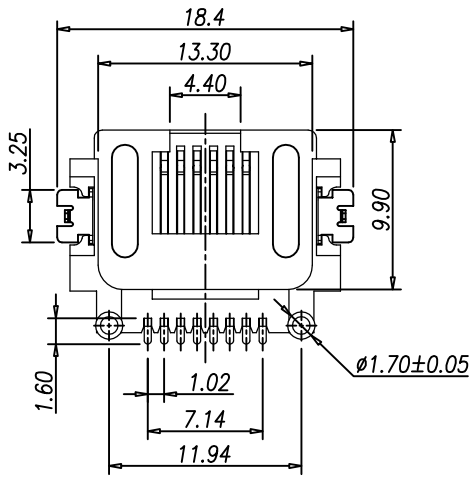
RoHS Compliant

REVISIONS			
REV.	DESCRIPTION	DATE	DESIGN



NOTE:

1. Voltage: 150V AC RMS
2. Current Rating: 1.5A
3. Contact Resistance: 40mΩ MAX.
4. Insulation Resistance: 500MΩ MIN.
5. Dielectric Withstang Voltage :1000V AC
6. Operature Temperature: -40°C~80°C
7. Durability: 750 Mating Cycles MIN.



Recommend PCB Layout  
(Jack Top View)  
Tolerance: ±0.05mm

PART NO. INFORMATION

RJ01- X 5 0 X - 009

CONTACT PLATED  
 1: G/F 2: AU 3U"  
 3: AU 5U" 4: AU 10U"  
 5: AU 15U" 6: AU 30U"  
 PACKAGE  
 R: TAPE REEL  
 T: TRAY

c	Shielding	1	Brass T=0.2mm	Ni Plating	
b	Terminal	8	Phosphor Bronze T=0.3mm	See Table 2	
a	Housing	1	See Table 1	See Table 2	
NO.	PART NAME	Q'TY	MATERIAL	PLATING & COLOR	Remark

<b>Bestcreate Technology Limited</b>			TOLERANCES UNLESS OTHERWISE SPECIFIED:		DESIGN: I. L	DATE: 2017.3.1	TITLE: MID MOUNT RJ45 8P8C SMT TYPE, H=6.8	
			.X ± 0.30	X.* ± 3'	CHECKED: C. W	DATE: 2017.3.1	MATERILA: C. W	PART NO: RJ01-X50X-009
REV: A	UNIT: mm	SCALE: 1=1	QUALITY SYMBOLS	Website: www.bsc-elec.com	APPROVED: C. W	DATE: 2017.3.1	FINSH: C. W	DWG NO: RJ01-X50X-009
				Email: bestcreate@bsc-elec.com				