

RoHS Compliant

REVISIONS			
REV.	DESCRIPTION	DATE	DESIGN

NOTES:

- HOUSING MATERIAL: GLASS FILLED POLYESTER UL94V-0.
- CONTACT MATERIAL: COPPER ALLOY, T=0.35.
- PLATING: GOLD PLATED ON CONTACT AREA, 100u"MIN. TIN PLATED ON SOLDERING AREA, 50u"MIN. NICKEL PLATED OVERALL.
- SHELL: COPPER ALLOY, T=0.20. 30u"MIN. NICKEL PLATED OVERALL.
- LED: T=0.50, TIN PLATED.

ELECTRICAL:

- VOLTAGE RATING: 125V AC RMS.
- CURRENT RATING: 1.5AMP.
- CONTACT RESISTANCE: 30MILLIOHMS MAX.
- INSULATION RESISTANCE: 500MEG OHMS MIN @500V DC.

MECHANICAL:

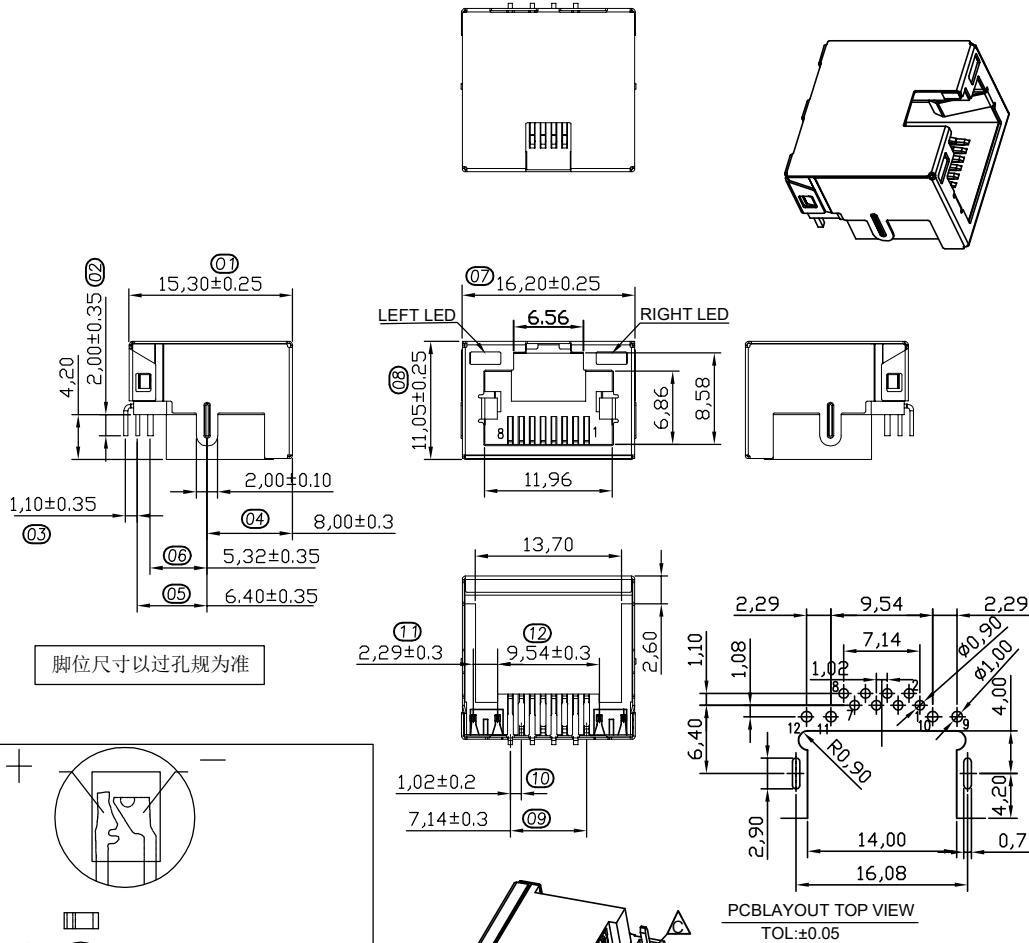
- DURABILITY: 750 CYCLES MIN.
- INSERTION FORCE: < 22N MAX.
- REMOVAL FORCE (WITHOUT PLUG LOCK): < 22N MAX.

ENVIRONMENTAL:

- STORAGE: -40°C~85°C
- OPERATION: -40°C~85°C

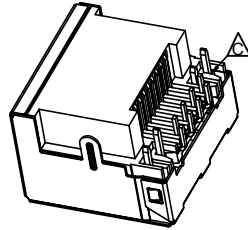
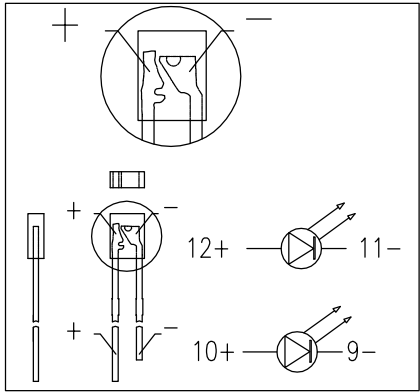
*Apply to the EU standards (ROSH)

1. ①~⑫ FOR QIP DIM.



脚位尺寸以过孔规为准

8	/
7	/
6	RX-
5	/
4	/
3	RX+
2	TX-
1	TX+
PIN序 说明	



PART NO. INFORMATION

RJ01- X 5 0 X - 018 - X

CONTACT PLATED: 1: G/F 2: AU 3U" 3: AU 6U" 4: AU 15U" 5: AU 30U"

PACKAGE: R: TAPE REEL T: TRAY

LED: 1:L-YELLOW R-GREEN 2:L-GREEN R-YELLOW 3:L-GREEN R-ORANGE

Bestcreate Technology Limited

TOLERANCES UNLESS OTHERWISE SPECIFIED:

.X	± 0.30	X.*	± 3'
.XX	± 0.20	.X*	± 2'
.XXX	± 0.10	.XX*	± 1'

Website: www.bsc-elec.com
Email: bestcreate@bsc-elec.com

DESIGN: I.L
CHECKED: C.W
APPROVED: C.W

DATE: 2017.3.1
DATE: 2017.3.1
DATE: 2017.3.1

TITLE: MID MOUNT 4.2MM 8P8C FEMALE CONNECTOR DIP TYPE WITH LIGHT

MATERILA:	PART NO: RJ01-X50X-018-X	SIZE: A4
FINSH:	DWG NO: RJ01-X50X-018-X	

REV: A	UNIT mm	SCALE 1=1	QUALITY SYMBOLS
--------	---------	-----------	-----------------