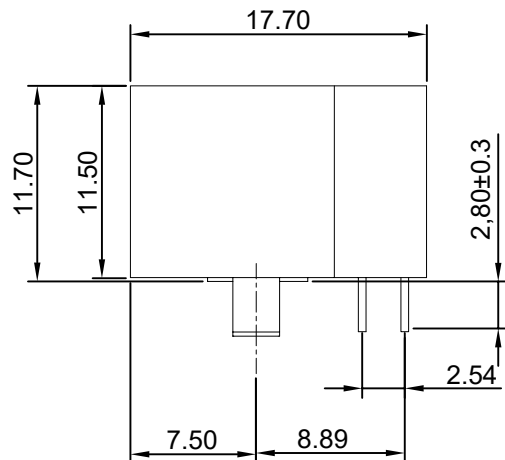
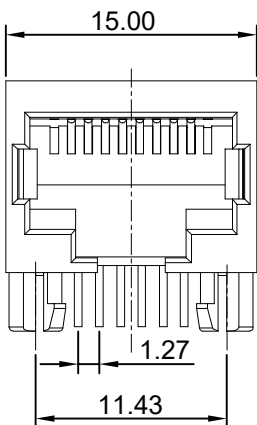


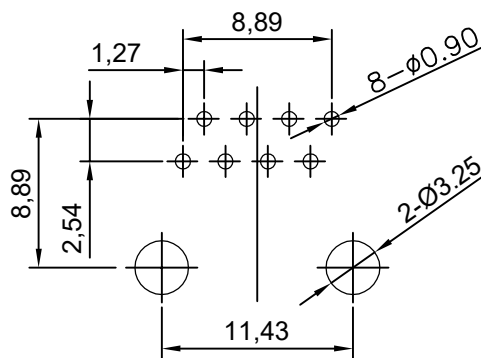
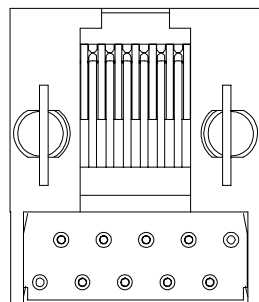
RoHS Compliant

REVISIONS			
REV.	DESCRIPTION	DATE	DESIGN

A



B



PCB LAYOUT

NOTES:

ELECTRICAL:

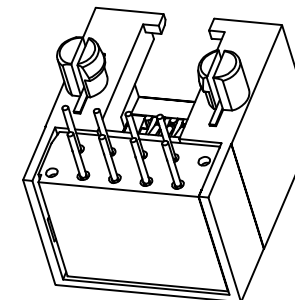
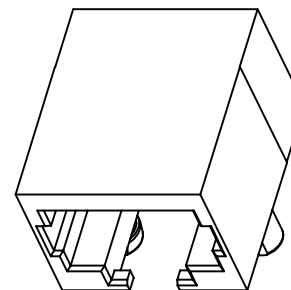
- 1. VOLTAGE RATING : 125 VAC RMS.
- 2. CURRENT RATING : 1.5 AMP.
- 3. CONTACT RESISTANCE : 40 MILLIOHMS MAX.
- 4. INSULATION RESISTANCE : 500 MEGOHMS MIN @ 100 VDC.
- 5. DIELECTRIC STRENGTH : 500 VDC RMS 50Hz or 60Hz, 1MIN.

MECHANICAL:

- 1. HOUSING & INSERT MATERIAL : HIGH TEMPERATURE PLASTIC UL94V-0.
- 2. CONTACT MATERIAL : Ø0.46 PHOSPHOR BRONZE GOLD PLATING OVER NICKEL.
- 3. MATING/UNMATING FORCE : 2.24 KG. F MAX.
- 4. OPERATING LIFE : 750 CYCLES MIN.

ENVIRONMENTAL:

- 1. STORAGE : -40°C ~ +85°C.
- 2. OPERATION : -40°C ~ +85°C.



PART NO. INFORMATION

RJ01- X 5 X X - 034

CONTACT PLATED
 1: G/F 2: AU 3U"
 3: AU 6U" 4: AU 15U"
 5: AU 30U"

PACKAGE
 R: TAPE REEL
 T: TRAY

HOUSING:
 1:PBT BLACK 2:PBT YELLOW
 3:PBT ORANGE 4:PBT GRAY
 5:PBT BLUE 6:PA66 114C YELLOW
 7:PBT WHITE 8:PA46 BLACK
 9:PA46 GRAY

D

Bestcreate Technology Limited

TOLERANCES UNLESS OTHERWISE SPECIFIED:

.X	± 0.30	X'	± 3'
.XX	± 0.20	.X'	± 2'
.XXX	± 0.10	.XX'	± 1'

Website: www.bsc-elec.com
 Email: bestcreate@bsc-elec.com

DESIGN:	DATE:
I. L	2017. 3. 1
CHECKED:	DATE:
C. W	2017. 3. 1
APPROVED:	DATE:
C. W	2017. 3. 1

TITLE:		
RJ45 5622 8P8C FEMALE CONNECTOR DIP TYPE		
MATERILA:	PART NO:	SIZE:
	RJ01-X5XX-034	A4
FINSH:	DWG NO:	
	RJ01-X5XX-034	

REV: A	UNIT mm	SCALE 1=1	QUALITY SYMBOLS	
--------	---------	-----------	-----------------	--

1

2

3

4

5

6

7

8

A

1

2

3

4

5

6

7

8

B

1

2

3

4

5

6

7

8

C

1

2

3

4

5

6

7

8

D

1

2

3

4

5

6

7

8