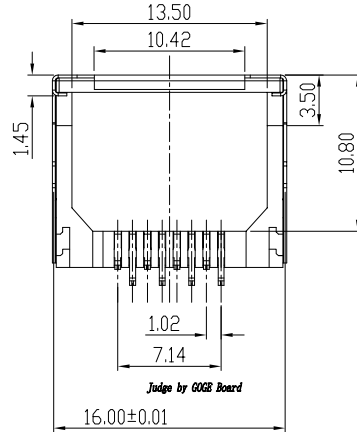
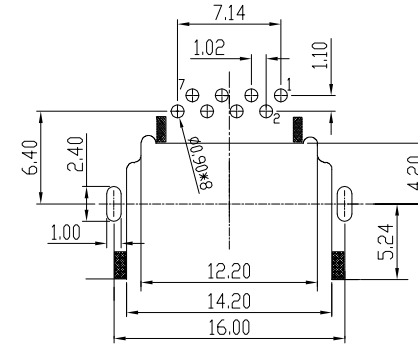
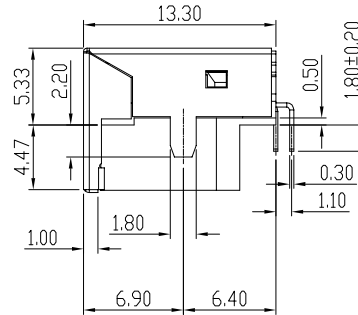
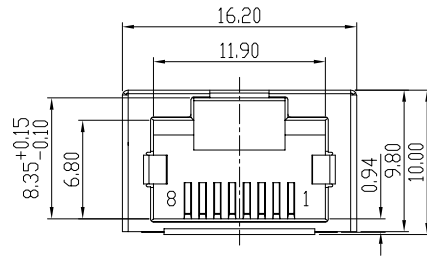
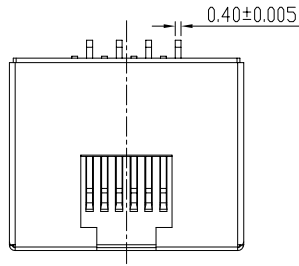


RoHS Compliant

REVISIONS			
REV.	DESCRIPTION	DATE	DESIGN

SPECIFICATION
 1.CURRENT RATING: 1.5AMPS
 2.VOLTAGE RATING: 125V AC
 3.INSULATION RESISTANCE: 500MΩ MIN.
 4.WITHSTAND VOLTAGE:
 AC1000V RMS 50Hz or 60Hz MIN.
 5.CONTACT RESISTANCE:30mΩ MAX.
 6.DURABILITY: 750 MATING CYCLES
 7.OPERATING TEMPERATURE: -25°C~+80°C



Recommend PCB Layout
 Jack Top View

PART NO. INFORMATION

RJ01- X 5 0 R - 001

CONTACT PLATED
 1: G/F 2: AU 3U"
 3: AU 5U" 4: AU 10U"
 5: AU 15U" 6: AU 30U"
 PACKAGE
 R: TAPE REEL
 T: TRAY

c	SHELL	1	BRASS	Ni PLATING	
b	TERMINAL	8	PHOSPHOR BRONZE	Au/Tin PLATING	
a	HOUSING	1	LCP+30%G.F UL94V-0	BLACK	
NO.	PART NAME	Q'TY	MATERIAL	PLATING & COLOR	Remark

Bestcreate Technology Limited

TOLERANCES UNLESS OTHERWISE SPECIFIED:

.X	± 0.30	X.*	± 3*
.XX	± 0.20	.X*	± 2*
.XXX	± 0.10	.XX*	± 1*

Website: www.bsc-elec.com
 Email: bestcreate@bsc-elec.com

DESIGN: I.L DATE: 2017.3.1

CHECKED: C.W DATE: 2017.3.1

APPROVED: C.W DATE: 2017.3.1

TITLE: Reverse RJ45 8P8C DIP Type, H=5.33

MATERILA:	PART NO: RJ01-X50X-001	SIZE: A4
FINSH:	DWG NO: RJ01-X50X-001	

REV: A	UNIT mm	SCALE 1=1	QUALITY SYMBOLS	
--------	---------	-----------	-----------------	--

1

2

3

4

5

6

7

8