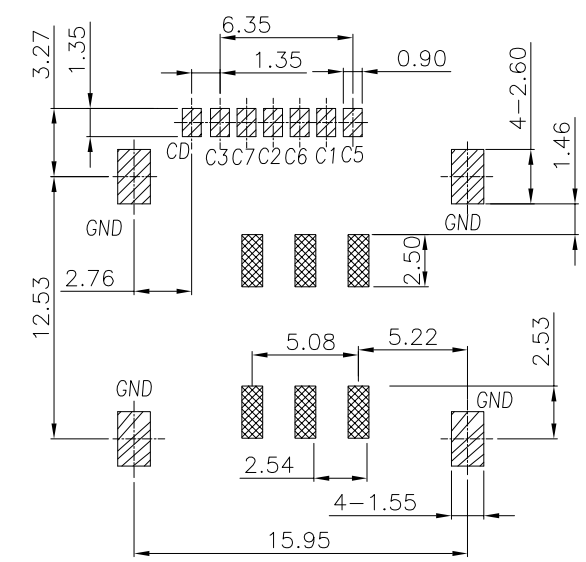
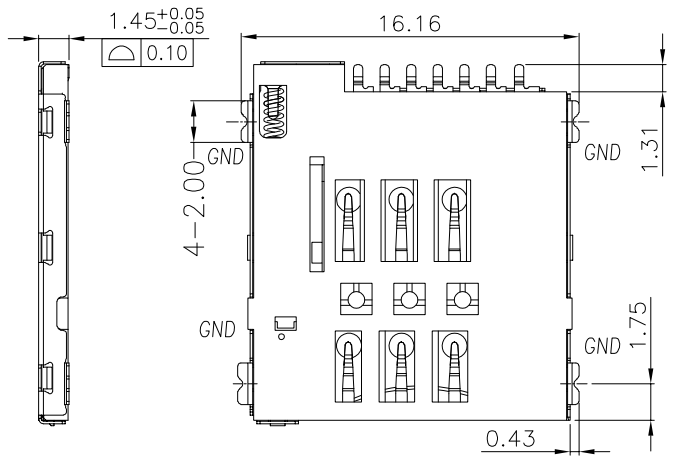
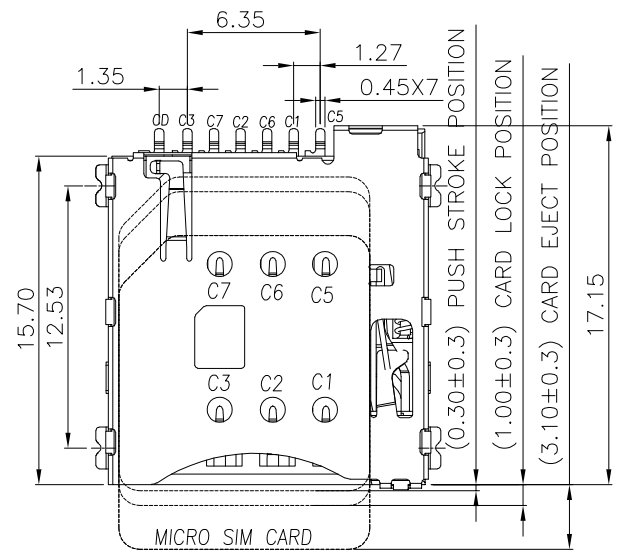


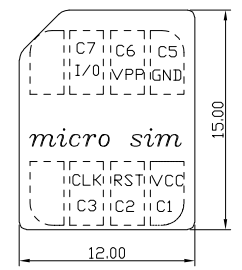
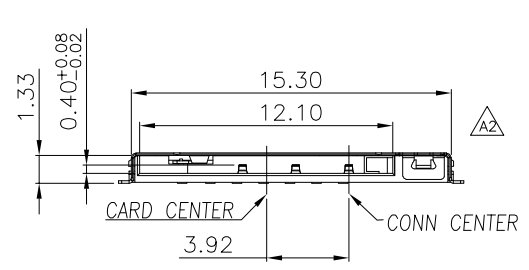
RoHS Compliant

REVISIONS			
REV.	DESCRIPTION	DATE	DESIGN

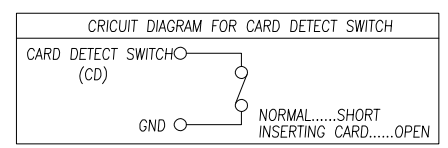


- MATERIAL:
  - 1.1 HOUSING:LCP,UL94-V0,COLOR:BLACK
  - 1.2 CONTACT:C5210R-H
  - 1.3 SHELL:SUS304-H
- FINISH:
  - 2.1 TERMINAL:30 μ" Min.NICKEL PLATED OVERALL
  - 2.2 CONTACT:GOLD FLASH PLATED ON CONTACT AREA; GOLD FLASH PLATED ON SOLDER TAILS;
- ELECTRICAL CHARACTERISTICS
  - RATING CURRENT : 0.5A MAX.
  - CONTACT RESISTANCE :30 mΩ MAX
  - DIELECTRIC WITHSTANDING : 500V AC MIN.
  - INSULATION RESISTANCE: 1000 MΩ MIN.
- MECHANICAL CHARACTERISTICS
  - MATING CYCLE :3000 CYCLES
  - Contact retention force: 50gf/pin Min.

■ CIRCUT TRACE KEEP OUT AREA  
  
 ■ SMT SOLDER AREA  
 THERE SHOULD NOT BE ANY CIRCUITRIES IN THE LAYOUT SPACE OF THE PRODUCTS.  
RECOMMENDED PCB LAYOUT  
 GENERAL TOLERANCE ±0.05



SIM pin Assignment	
PIN#	Name
C1	VCC
C2	RST
C3	CLK
C5	GND
C6	VPP
C7	I/O



PART NO. INFORMATION

**MISIM - 07 X X 5 R - 004**

07:7P

CONTACT PLATED  
 1: GOLD FLASH  
 2: GOLD 3U"  
 3: GOLD 5U"  
 4: GOLD 10U"  
 5: GOLD 15U"  
 6: GOLD 30U"

PACKAGE  
 R: TAPE REEL

HOUSING COLOR  
 2: WHITE  
 5: BLACK  
 9: NATURE

HOUSING MATERIAL  
 A: LCP B: PBT  
 C: PA9T D: PA6T  
 E: PA46 F: PA66

**Bestcreate Technology Limited**

TOLERANCES UNLESS OTHERWISE SPECIFIED:	
.X ± 0.35	X' ± 5'
.XX ± 0.25	.X' ± 2'
.XXX ± 0.15	.XX' ± 1'

Website:www.bsc-elec.com  
 Email:bestcreate@bsc-elec.com

DESIGN:	DATE:
I. L	2017. 3. 1
CHECKED:	DATE:
C. W	2017. 3. 1
APPROVED:	DATE:
C. W	2017. 3. 1

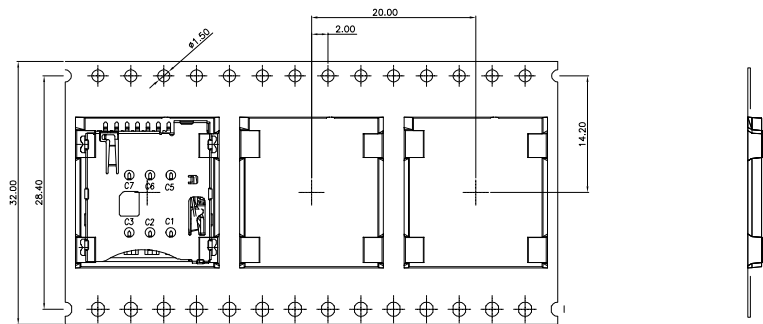
TITLE: MICRO SIM CARD PUSH PUSH 7PIN 1.45H 帶CD PIN(防呆型)		
MATERILA:	PART NO:	SIZE:
FINSH:	MISIM-07XX5R-004	A4
DWG NO:	MISIM-07XX5R-004	1 OF 2

REV: A	UNIT mm	SCALE 1=1	QUALITY SYMBOLS
--------	---------	-----------	-----------------

RoHS Compliant

REVISIONS			
REV.	DESCRIPTION	DATE	DESIGN

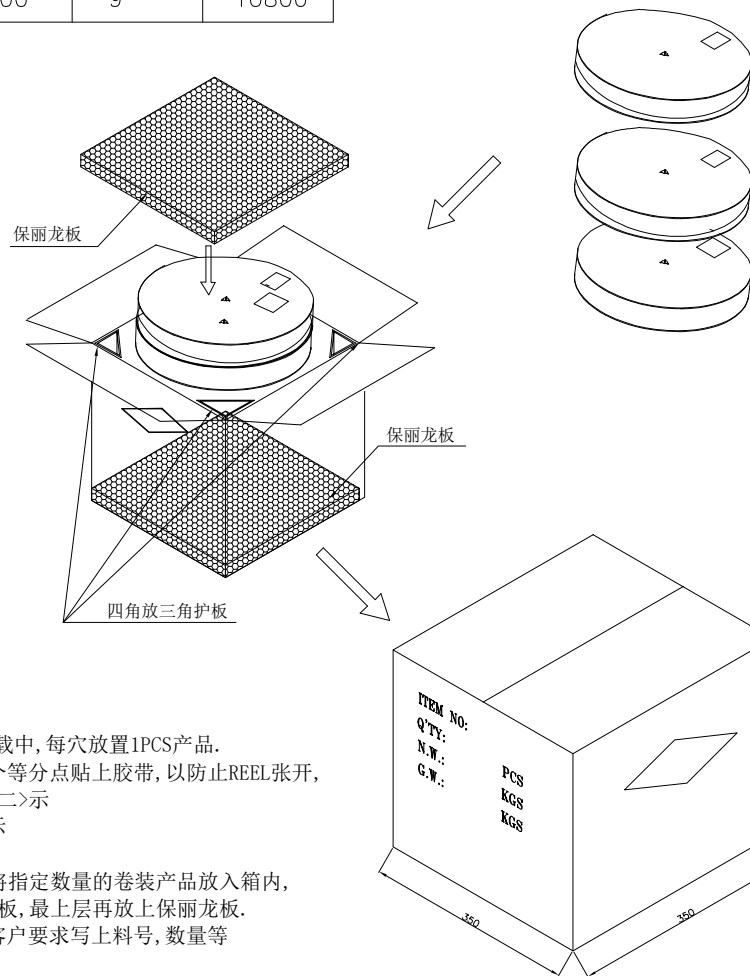
<图一>



<TABLE 1> PACKAGING QUANTITY

QTY/REEL	REEL/CARTON	QTY/CARTON
1200	9	10800

<图三>



A

A

B

B

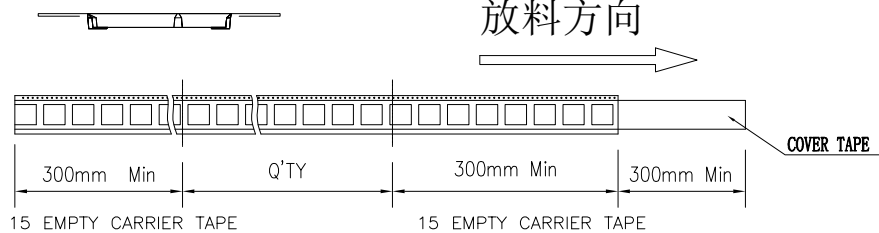
C

C

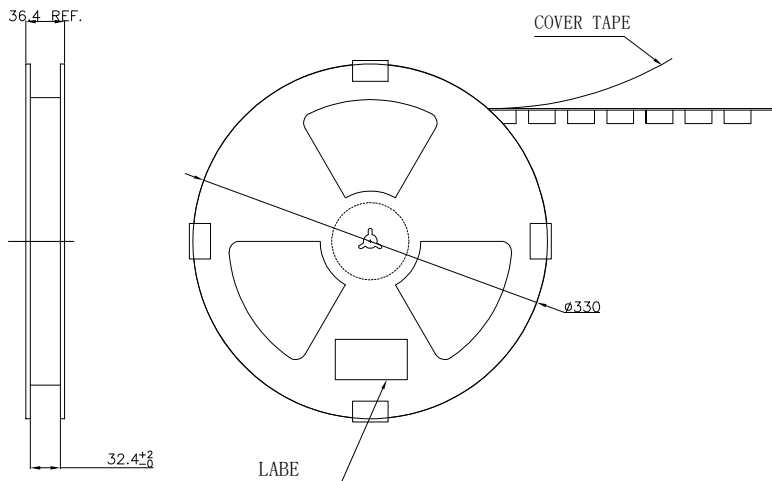
D

D

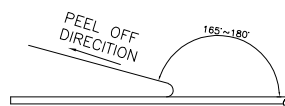
放料方向



<图二>



COVER TAPE PEELING FORCE: 20gf~100gf



NOTE:

- 依<图一>示放置产品于下载中, 每穴放置1PCS产品.
- 包装机包好后, 在REEL的个等分点贴上胶带, 以防止REEL张开, 每REEL贴1PCS标签, 如<图二>示
- 包装数量见如<TABLE 1>示
- 包装成箱见如<图三>示  
箱底放保丽龙板, 再依次将指定数量的卷装产品放入箱内, 四角分别放入四个三角护板, 最上层再放上保丽龙板.
- 封箱, 在封好的纸箱上按客户要求写上料号, 数量等

**Bestcreate Technology Limited**

TOLERANCES UNLESS OTHERWISE SPECIFIED:

.X	± 0.35	X'	± 5'
.XX	± 0.25	.X'	± 2'
.XXX	± 0.15	.XX'	± 1'

Website: www.bsc-elec.com  
Email: bestcreate@bsc-elec.com

DESIGN: I. L  
DATE: 2017. 3. 1  
CHECKED: C. W  
DATE: 2017. 3. 1  
APPROVED: C. W  
DATE: 2017. 3. 1

TITLE: MICRO SIM CARD PUSH PUSH  
7PIN 1.45H 带CD PIN(防呆型)  
MATERILA: PART NO: MISIM-07XX5R-004  
FINSH: DWG NO: MISIM-07XX5R-004  
SIZE: A4  
2 OF 2

REV: A  
UNIT: mm  
SCALE: 1=1  
QUALITY SYMBOLS