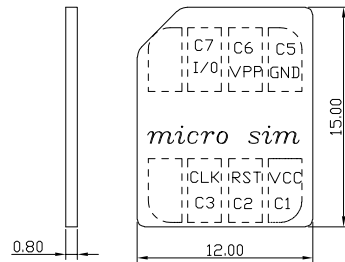
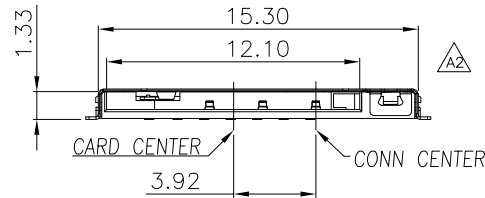
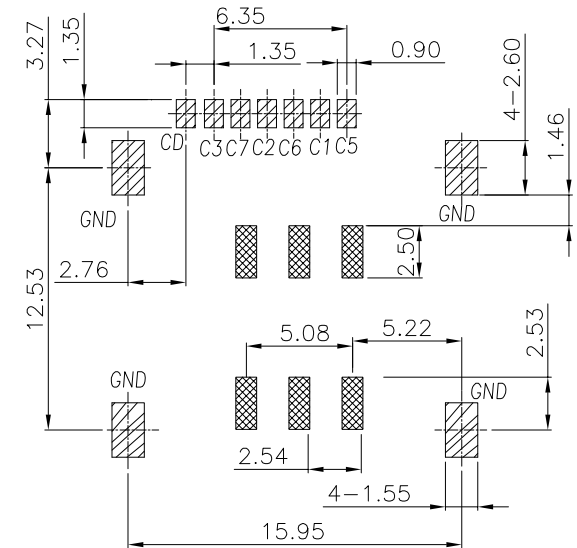
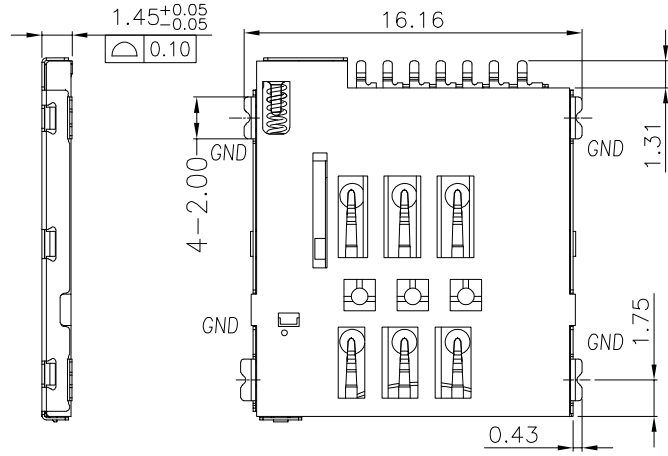
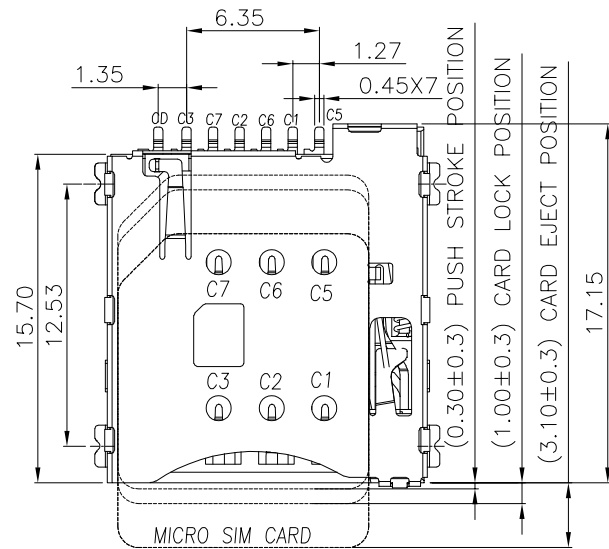


RoHS Compliant

REVISIONS			
REV.	DESCRIPTION	DATE	DESIGN



- MATERIAL:
  - HOUSING:LCP,UL94-V0,COLOR:BLACK
  - CONTACT:C5210R-H
  - SHELL:SUS304-H
- FINISH:
  - TERMINAL:30 μ" Min.NICKEL PLATED OVERALL
  - CONTACT:GOLD FLASH PLATED ON CONTACT AREA; GOLD FLASH PLATED ON SOLDER TAILS;
- ELECTRICAL CHARACTERISTICS
 

RATING CURRENT : 0.5A MAX.  
 CONTACT RESISTANCE :30 mΩ MAX  
 DIELECTRIC WITHSTANDING : 500V AC MIN.  
 INSULATION RESISTANCE: 1000 MΩ MIN.
- MECHANICAL CHARACTERISTICS
 

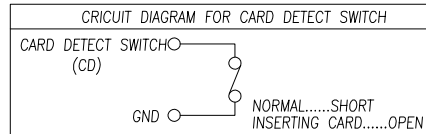
MATING CYCLE :3000 CYCLES  
 Contact retention force: 50gf/pin Min.
- PART NO. INFORMATION

■ CIRCUIT TRACE KEEP OUT AREA  
 ■ SMT SOLDER AREA  
 THERE SHOULD NOT BE ANY CIRCUITRIES IN THE LAYOUT SPACE OF THE PRODUCTS.  
RECOMMENDED PCB LAYOUT  
 GENERAL TOLERANCE ±0.05

**MCSIM - 07 X X 5 R - 004**

- 07:7P
- CONTACT PLATED
- GOLD FLASH
  - GOLD 3U"
  - GOLD 5U"
  - GOLD 10U"
  - GOLD 15U"
  - GOLD 30U"
- PACKAGE
- R: TAPE REEL
- HOUSING COLOR
- WHITE
  - BLACK
  - NATURE
- HOUSING MATERIAL
- A: LCP B: PBT  
 C: PA9T D: PA6T  
 E: PA46 F: PA66

SIM pin Assignment	
PIN#	Name
C1	VCC
C2	RST
C3	CLK
C5	GND
C6	VPP
C7	I/O



**Bestcreate Technology Limited**

TOLERANCES UNLESS OTHERWISE SPECIFIED:

.X	± 0.35	X'	± 5'
.XX	± 0.25	.X'	± 2'
.XXX	± 0.15	.XX'	± 1'

Website:www.bsc-elec.com  
 Email:bestcreate@bsc-elec.com

DESIGN:	DATE:
I. L	2017. 3. 1
CHECKED:	DATE:
C. W	2017. 3. 1
APPROVED:	DATE:
C. W	2017. 3. 1

TITLE: MICRO SIM CARD PUSH PUSH  
 7PIN 1.45H WITH CD PIN

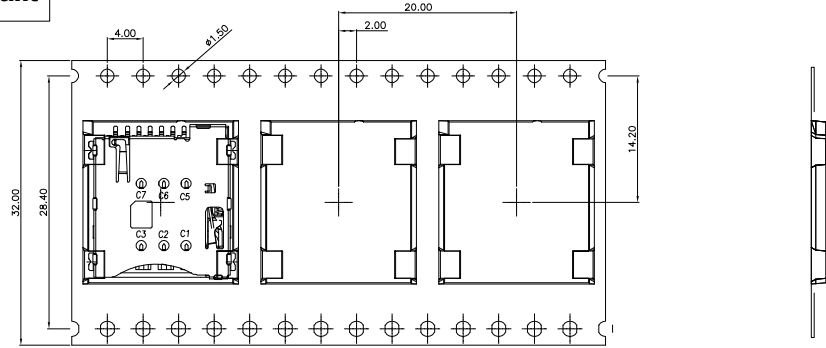
MATERILA:	PART NO:	SIZE:
FINSH:	MCSIM-07XX5R-004	A4
	DWG NO:	
	MCSIM-07XX5R-004	1 OF 2

REV:	UNIT	SCALE	QUALITY SYMBOLS
A	mm	1=1	

RoHS Compliant

REVISIONS			
REV.	DESCRIPTION	DATE	DESIGN

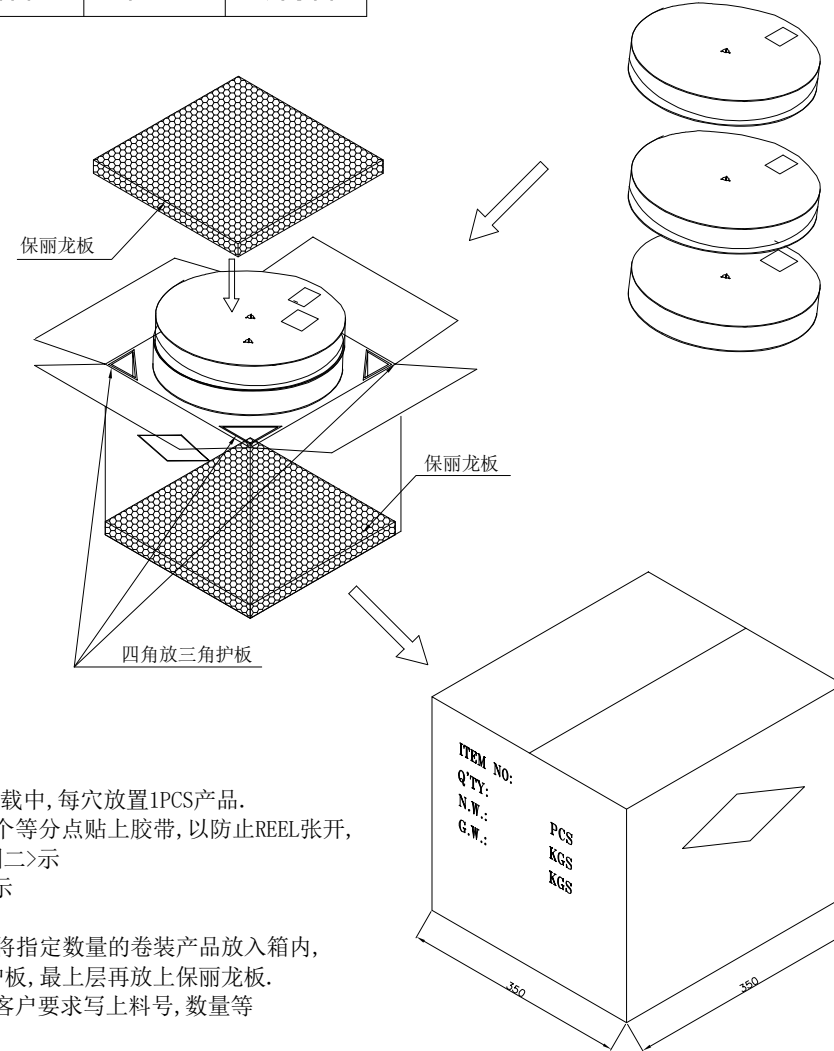
<图一>



<TABLE 1> PACKAGING QUANTITY

QTY/REEL	REEL/CARTON	QTY/CARTON
1200	9	10800

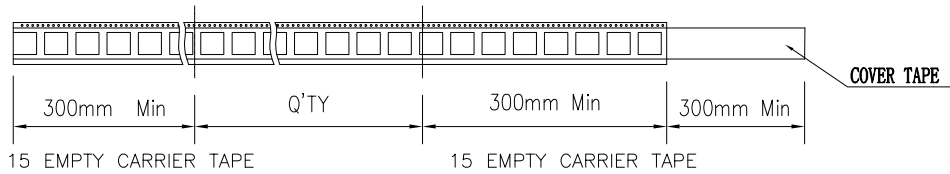
<图三>



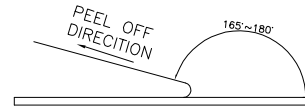
放料方向



<图二>

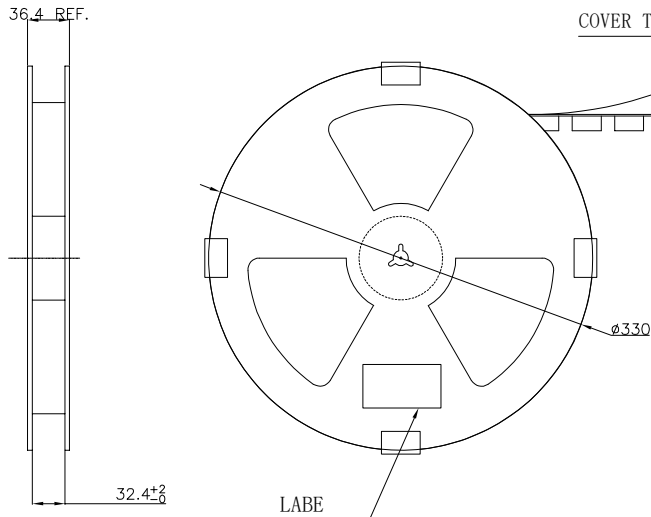


COVER TAPE PEELING FORCE: 20gf~100gf



NOTE:

- 依<图一>示放置产品于下载中, 每穴放置1PCS产品.
- 包装机包好后, 在REEL的个等分点上贴上胶带, 以防止REEL张开, 每REEL贴1PCS标签, 如<图二>示
- 包装数量见如<TABLE 1>示
- 包装成箱见如<图三>示  
箱底放保丽龙板, 再依次将指定数量的卷装产品放入箱内, 四角分别放入四个三角护板, 最上层再放上保丽龙板.
- 封箱, 在封好的纸箱上按客户要求写上料号, 数量等



**Bestcreate Technology Limited**

TOLERANCES UNLESS OTHERWISE SPECIFIED:

.X	± 0.35	X'	± 5'
.XX	± 0.25	.X'	± 2'
.XXX	± 0.15	.XX'	± 1'

Website: www.bsc-elec.com  
Email: bestcreate@bsc-elec.com

DESIGN: DATE:

I. L 2017. 3. 1

CHECKED: DATE:

C. W 2017. 3. 1

APPROVED: DATE:

C. W 2017. 3. 1

TITLE: MICRO SIM CARD PUSH PUSH  
7PIN 1.45H WITH CD PIN

MATERILA: PART NO: MCSIM-07XX5R-004 SIZE: A4

FINSH: DWG NO: MCSIM-07XX5R-004 2 OF 2

REV: A UNIT mm SCALE 1=1 QUALITY SYMBOLS