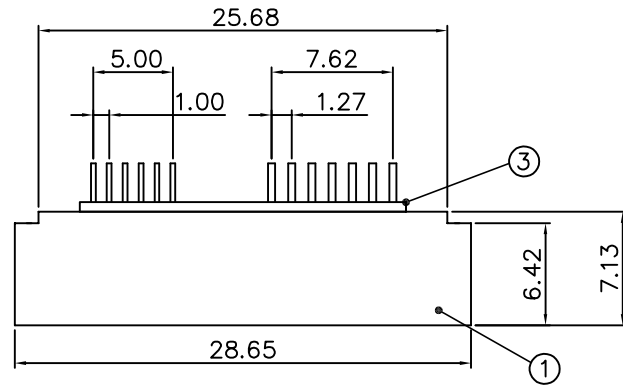
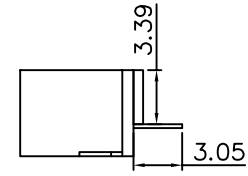
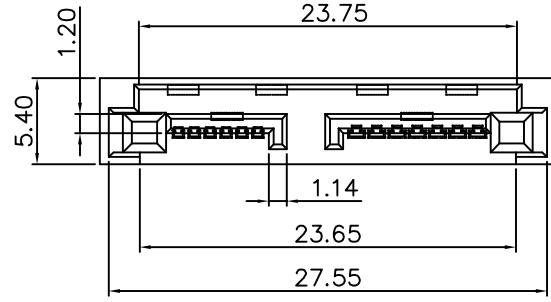


RoHS Compliant

REVISIONS			
REV.	DESCRIPTION	DATE	DESIGN



SPECIFICATION:
1.MATERIAL:
 HOUSING:LCP UL94V-0
 COLOR:BLACK
 CONTACT:BRASS C2680R-H T=0.25mm
2.FINISH:
 CONTACT: (1u"/3u"/ 5u"/15u")GOLD/TIN PLATING ON CONTACT AREA
 100u" MIN. TIN PLATING ON SOLDER TAILS
 50u" MIN. NICKEL UNDERPLATING OVERALL



PART NO. INFORMATION

S670 - M X A 5 T -001

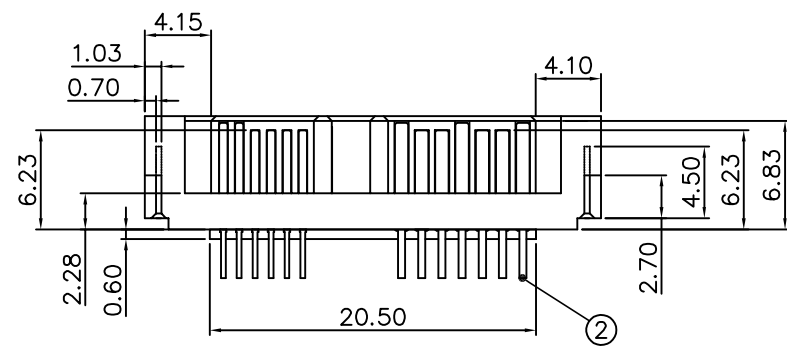
GENDER
 F: FEMALE
 M: MALE

CONTACT PLATED
 1: GOLD FLASH/TIN
 2: 15U" GOLD/TIN
 3: 30U" GOLD/TIN

PACKAGE
 T: TRAY R:TAPE REEL

HOUSING COLOR
 5: BLACK

HOUSING MATERIAL
 A: LCP



3	Housing	High Temp	Black	UL 94V-0
2	Terminal	Brass C2680		Gold/Tin Plated
1	Housing	High Temp	Black	UL 94V-0
NO.	DESCRIPTION	MATERIAL	COLOR	REMARK

Bestcreate Technology Limited

TOLERANCES UNLESS OTHERWISE SPECIFIED:			
X.	± 0.30	X.*	± 3'
.X	± 0.20	.X*	± 2'
.XX	± 0.15	.XX*	± 1'

Website: www.bsc-elec.com
 E-mail: bestcreate@bsc-elec.com

DESIGN:	I.L	DATE:	2017.3.1
CHECKED:	C.W	DATE:	2017.3.1
APPROVED:	C.W	DATE:	2017.3.1

TITLE: SATA 7+6P 公座焊线式			
MATERILA:	PART NO: S670-MXA5T-001	SIZE:	A4
FINSH:	DWG NO: S670-MXA5T-001	SHEET:	1 OF 1

REV: A	UNIT mm	SCALE 1=1	QUALITY SYMBOLS
--------	---------	-----------	-----------------