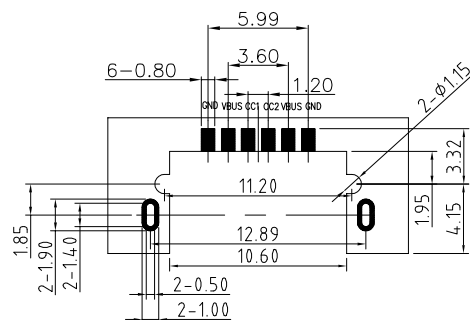
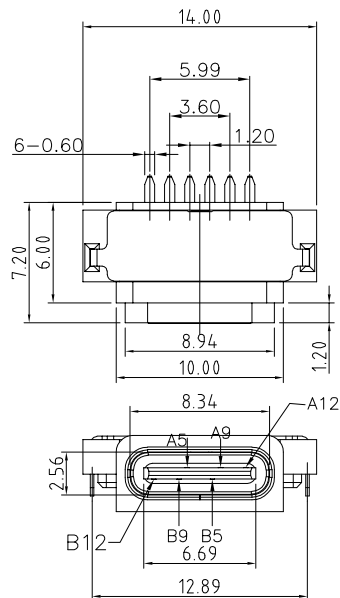
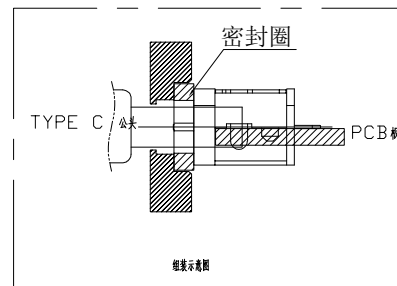
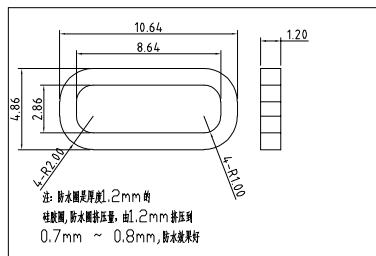
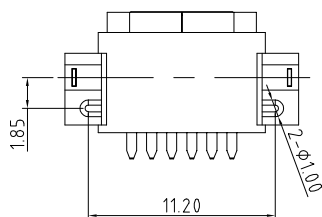
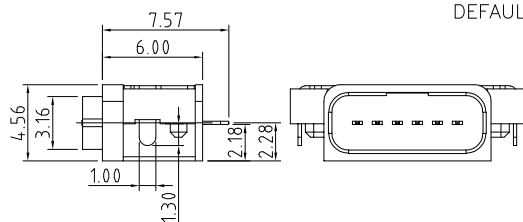


RoHS Compliant



RECOMMENDED PCB LAYOUT(TOP VIEW)

THICKNESS T=1.0mm
DEFAULT TOLERANCE+/-0.05



NOTES:
SPECIFICATION:

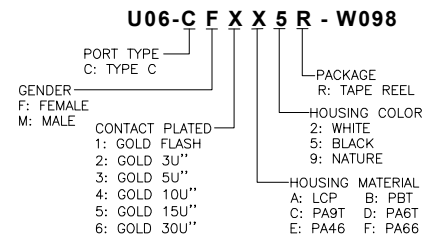
1. CURRENT RATING: 3.0A MAX
2. DIELECTRIC WITHSTAND VOLTAGE: 100VAC
3. TEMPERATURE RANGE: -30 °C ~ 85 °C
4. CONTACT RESISTANCE: 40 MILLIONHM MAX
5. INSULATION RESISTANCE: 100 MEGOHMS MIN.
6. INSERTION FORCE : 5N~20N
7. UNMATING FORCE: 8N~20N
8. DURABILITY:5000 CYCLES

REVISIONS			
REV.	DESCRIPTION	DATE	DESIGN

ITEM	PARTNAME	Q'TY	FINISH	NOTE
5	Shell2	1	SUS304 Ni Plating T=0.20mm	Ni40~120u ^r ;
4	Shell1	1	SUS304 Ni Plating T=0.3mm	Ni40~120u ^r ;
3	Housing2	1	LCP(G.F30%)	
2	Contact	4	Phosphor bronze C5210R-EH Au/Ni Plating T=0.20mm	Ni40~160u ^r ; Au;CONTACT AREA:3u ^r ; OTHER AREA:G/F
1	Housing	1	PA9T (G.F30%)	

A5	CC1	B12	GND
A9	VBUS	B9	VBUS
A12	GND	B5	CC2
PIN	SIGNAL NAME	PIN	SIGNAL NAME

PART NO. INFORMATION



Bestcreate Technology Limited

TOLERANCES UNLESS OTHERWISE SPECIFIED:

X.	± 0.50	X.*	± 5'
.X	± 0.30	.X'	± 2'
.XX	± 0.10	.XX'	± 1'

Website: www.bsc-elec.com
Email: bestcreate@bsc-elec.com

DESIGN: I.L DATE:

CHECKED: C.W DATE:

APPROVED: C.W DATE:

TITLE: **IPX8 WATERPROOF 6P USB C FEMALE CONNECTOR MID MOUNT TYPE**

MATERIAL:	PART NO:	SIZE:
	U06-CFXX5R-W098	A4
FINSH:	DWG NO:	
	U06-CFXX5R-W098	1 OF 1

REV:	UNIT	SCALE	QUALITY SYMBOLS
A	mm	1=1	