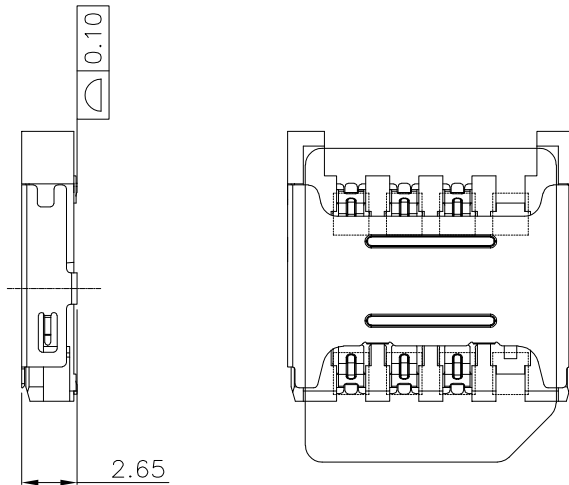
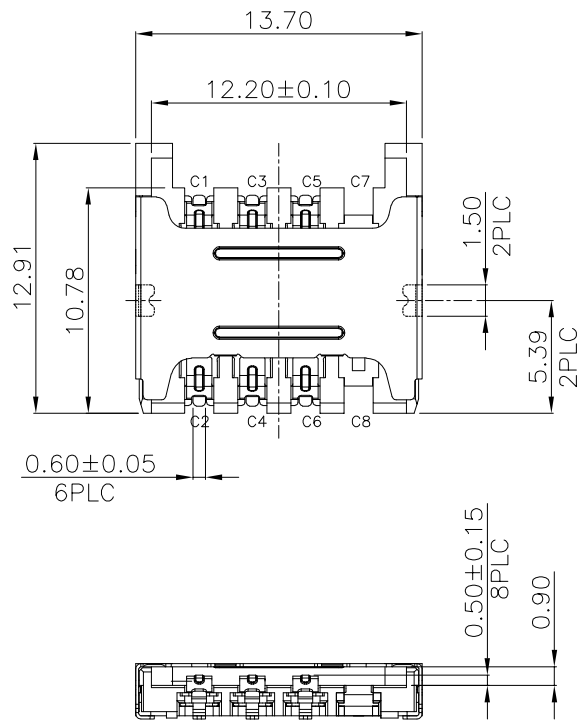


RoHS Compliant

REVISIONS			
REV.	DESCRIPTION	DATE	DESIGN

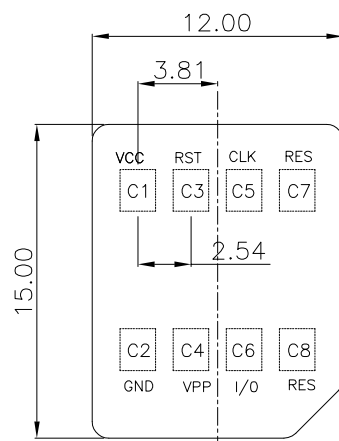


INSERT CARD

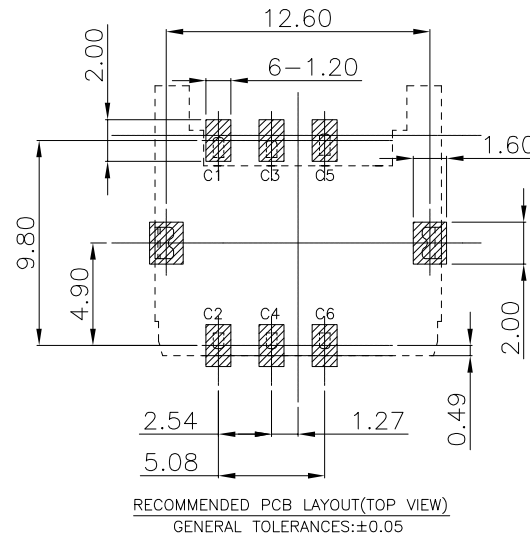
NOTES:

- 1) MATERIAL:
HOUSING: LCP UL 94V-0
CONTACT: C5210R-H
SHELL: SUS201-H
- 2) FINISH :
CONTACT: GOLD FLASH PLATED ON CONTACT AREA;
GOLD FLASH PLATING ON SOLDER TAILS,
WITH ENTIRE CONTACT UNDERPLATED NICKEL
SHELL: NICKEL UNDERPLATED OVERALL,
GOLD FLASH PLATED ON SOLDER TAILS
- 3) ELECTRICAL CHARACTERISTICS
RATING CURRENT : 0.5A MAX.
CONTACT RESISTANCE :50 mΩ MAX
DIELECTRIC WITHSTANDING : 500V AC MIN.
INSULATION RESISTANCE: 1000 MΩ MIN.
- 4) MECHANICAL CHARACTERISTICS
MATING CYCLE :3000 CYCLES

MICRO SIM CARD	
PIN NO.	DESCRIPTION
C1	VCC
C3	RST
C5	CLK
C7	RES
C2	GND
C4	VPP
C6	I/O
C8	RES



MICRO SIM CARD
芯片面朝下视图



RECOMMENDED PCB LAYOUT(TOP VIEW)
GENERAL TOLERANCES:±0.05

PART NO. INFORMATION

MCSIM - 06 X X 5 R - 003

- 06:6P
- CONTACT PLATED
- 1: GOLD FLASH
- 2: GOLD 3U"
- 3: GOLD 5U"
- 4: GOLD 10U"
- 5: GOLD 15U"
- 6: GOLD 30U"
- PACKAGE
- R: TAPE REEL
- HOUSING COLOR
- 2: WHITE
- 5: BLACK
- 9: NATURE
- HOUSING MATERIAL
- A: LCP B: PBT
- C: PA9T D: PA6T
- E: PA46 F: PA66

Bestcreate Technology Limited

TOLERANCES UNLESS OTHERWISE SPECIFIED:

.X	± 0.35	X'	± 5'
.XX	± 0.25	.X'	± 2'
.XXX	± 0.15	.XX'	± 1'

Website:www.bsc-elec.com
Email:bestcreate@bsc-elec.com

DESIGN: I. L DATE: 2017. 3. 1

CHECKED: C. W DATE: 2017. 3. 1

APPROVED: C. W DATE: 2017. 3. 1

TITLE: MICRO SIM 2.65H 6PIN CARD CONN

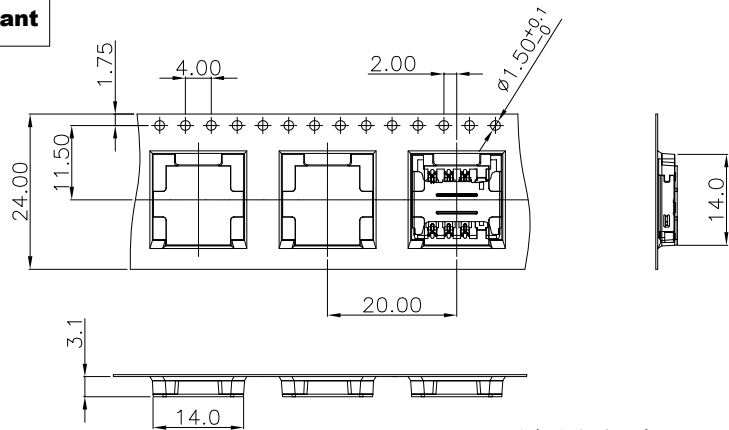
MATERIAL: PART NO: MCSIM-06XX5R-003 SIZE: A4

FINSH: DWG NO: MCSIM-06XX5R-003 1 OF 2

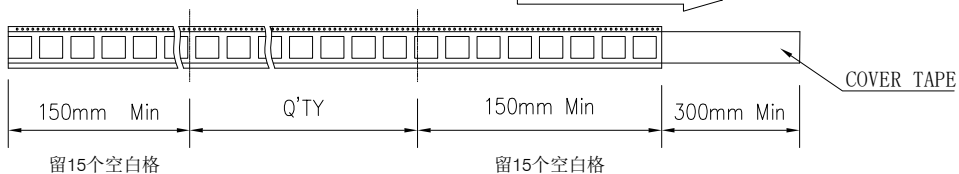
REV: A UNIT mm SCALE 1=1 QUALITY SYMBOLS

RoHS Compliant

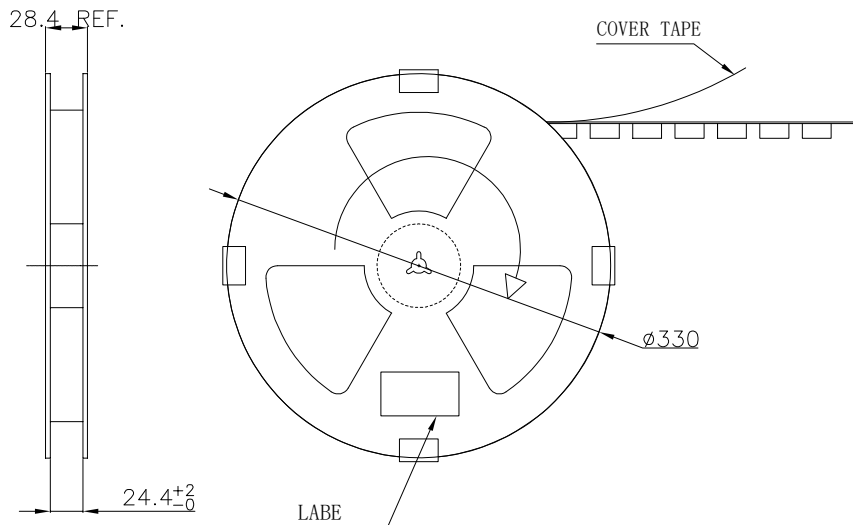
<图一>



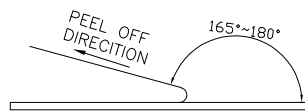
放料方向



<图二>



COVER TAPE PEELING FORCE: 50gf~150gf



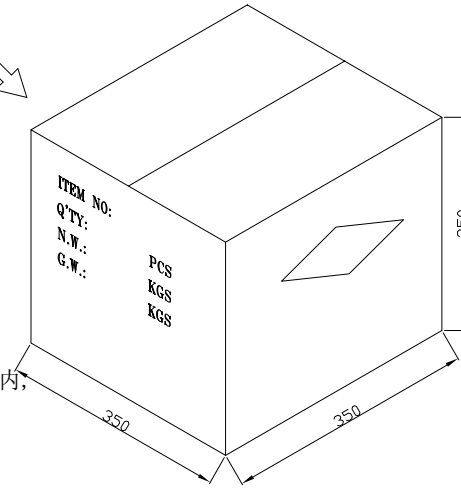
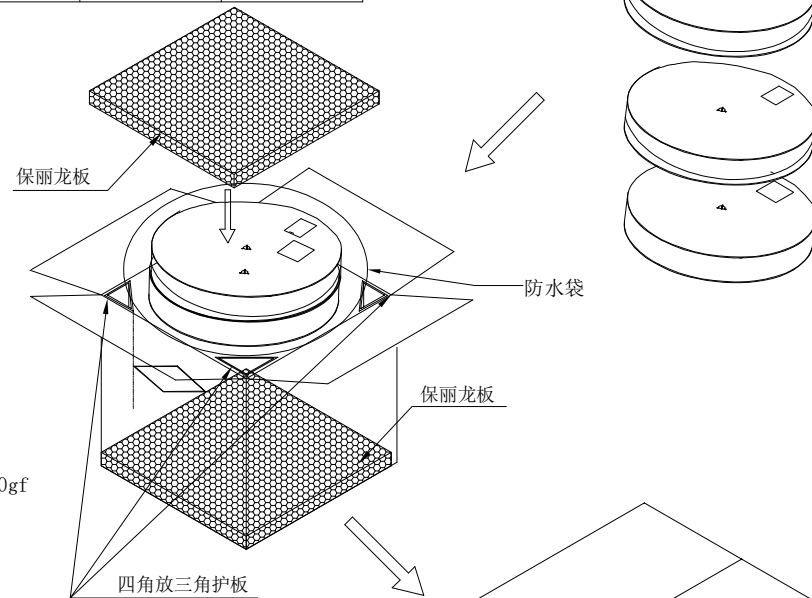
NOTE:

1. 依<图一>示放置产品于下载中, 每穴放置1PCS产品.
2. 包装机包好后, 在REEL的个等分点贴上胶带, 以防止REEL张开, 每REEL贴1PCS标签, 如<图二>示
3. 包装数量见如<TABLE 1>示
4. 包装成箱见如<图三>示
箱底放保丽龙板, 再依次将指定数量的卷装产品用防水袋包好放入箱内, 四角分别放入四个三角护板, 最上层再放上保丽龙板.
5. 封箱, 在封好的纸箱上按客户要求写上料号, 数量等

<TABLE 1> PACKAGING QUANTITY

QTY/REEL	REEL/CARTON	QTY/CARTON
1000	10	10000

<图三>



REVISIONS			
REV.	DESCRIPTION	DATE	DESIGN

Bestcreate Technology Limited

TOLERANCES UNLESS OTHERWISE SPECIFIED:

.X ± 0.35	.X' ± 5'
.XX ± 0.25	.X' ± 2'
.XXX ± 0.15	.X' ± 1'

Website: www.bsc-elec.com
Email: bestcreate@bsc-elec.com

DESIGN: I. L
DATE: 2017. 3. 1

CHECKED: C. W
DATE: 2017. 3. 1

APPROVED: C. W
DATE: 2017. 3. 1

TITLE: MICRO SIM 2.65H 6PIN CARD CONN

MATERILA: PART NO: MCSIM-06XX5R-003 SIZE: A4

FINSH: DWG NO: MCSIM-06XX5R-003 2 OF 2

REV:	UNIT	SCALE	QUALITY SYMBOLS
A	mm	1=1	