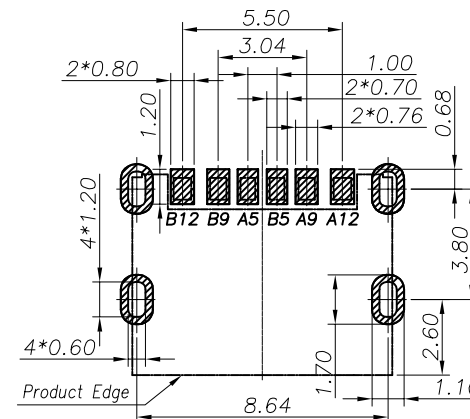
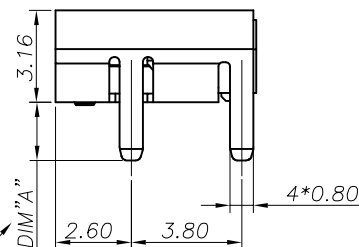
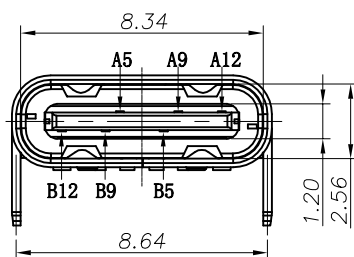
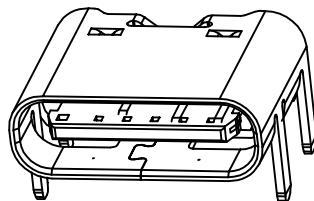
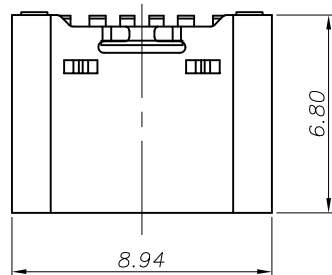


RoHS Compliant

REVISIONS			
REV.	DESCRIPTION	DATE	DESIGN

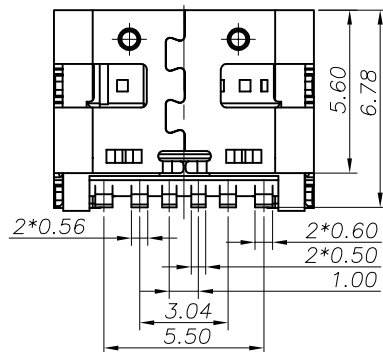
NOTES:  
SPECIFICATION:

1. CURRENT RATING: 3.0A MAX
2. VOLTAGE: 100 VAC
3. TEMPERATURE RANGE: -30 °C ~ 85 °C
4. CONTACT RESISTANCE: 40 MILLIONHM MAX
5. INSULATION RESISTANCE: 100 MEGOHMS MIN.
6. INSERTION FORCE : 5N~20N
7. UNMATING FORCE: 8N~20N
8. DURABILITY: 10000 CYCLES
9. THE CONNECTOR MEETS THE REQUIREMENT OF RoHS



RECOMMENDED P.C.B. LAYOUT  
TOLERANCE UNSPECIFIED ±0.05mm

SEE TABLE 1



A5	CC1	B12	GND
A9	VBUS	B9	VBUS
A12	GND	B5	CC2
PIN	SIGNAL NAME	PIN	SIGNAL NAME

4	MIDDLE PLATE	STAINLESS STEEL	1SET
3	SHELL	STAINLESS STEEL	1SET
2	CONTACT	COPPER ALLOY	1SET
1	HOUSING	HIGH TEMPERATURE PLASTIC	1PCS
NO.	DESCRIPTION	MATERIAL	QTY

PART NO. INFORMATION

**U06-C F X X 5 R - AX11**

PORT TYPE  
C: TYPE C

GENDER  
F: FEMALE  
M: MALE

CONTACT PLATED  
1: GOLD FLASH  
2: GOLD 3U"  
3: GOLD 5U"  
4: GOLD 10U"  
5: GOLD 15U"  
6: GOLD 30U"

DIM A(TAIL LENGTH)  
0: 1.00MM  
1: 2.00MM

PACKAGE  
R: TAPE REEL

HOUSING COLOR  
2: WHITE  
5: BLACK  
9: NATURE

HOUSING MATERIAL  
A: LCP B: PBT  
C: PA9T D: PA6T  
E: PA46 F: PA66

**Bestcreate Technology Limited**

TOLERANCES UNLESS OTHERWISE SPECIFIED:

X.	± 0.30	X.*	± 10°
.X	± 0.20	.X*	± 8°
.XX	± 0.10	.XX*	± 5°

Website: [www.bsc-elec.com](http://www.bsc-elec.com)  
E-mail: [bestcreate@bsc-elec.com](mailto:bestcreate@bsc-elec.com)

DESIGN: I. L DATE: 2017. 3. 1

CHECKED: C. W DATE: 2017. 3. 1

APPROVED: C. W DATE: 2017. 3. 1

TITLE:

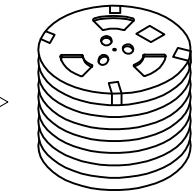
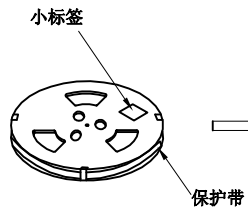
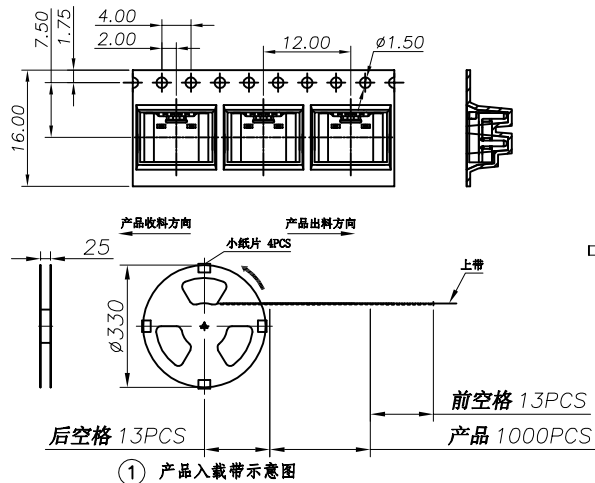
**USB C F 6PIN SMT CONN**

MATERIAL:	PART NO: U06-CFXX5R-AX11	SIZE: A4
FINISH:	DWG NO: U06-CFXX5R-AX11	SHEET: 1 OF 2

REV: A	UNIT mm	SCALE 1=1	QUALITY SYMBOLS
--------	---------	-----------	-----------------

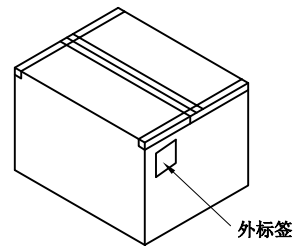
RoHS Compliant

REVISIONS			
REV.	DESCRIPTION	DATE	DESIGN

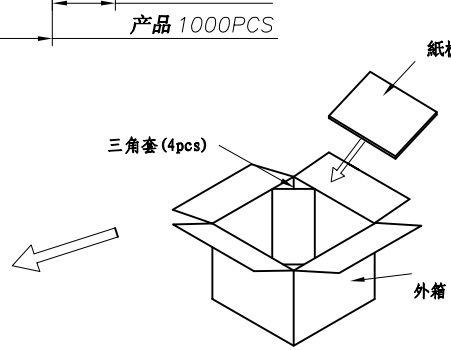


② 卷盘贴标签示意图

③ 16盘产品叠层示意图



⑤ 外箱封箱示意图



④ 产品入外箱示意图

NOTE:

- 1. QUANTITY/REEL: 1000 PCS  
数量/卷: 1000 PCS
- QUANTITY/INNER CARTON: 1000 X 16 = 16000 PCS  
数量/箱: 1000 X 16 = 16000 PCS
- 2. FREE 13 CAVE IN THE FRONT CARRIER ADN FREE 13 CAVE IN THE END CARRIER.  
包装带内圈空13格, 外圈空13格.

TABLE 1

ITEM	P/N	DIM"A"	HOUSING	FUNCTIONAL AREA	TERMINAL AREA
4	U06-CF1A5R-A011	1.00	LCP, BLACK	Au: 1u"	Au: G/F
3	U06-CF1A5R-A111	2.00	LCP, BLACK	Au: 1u"	Au: G/F
2	U06-CF1A5R-A011	1.00	LCP, BLACK	Au: 1u"	Tin: 80u" MIN
1	U06-CF1A5R-A111	2.00	LCP, BLACK	Au: 1u"	Tin: 80u" MIN

ITEM	DESC.	MATERIAL	REMARKS	QTY
1	成品		C TYPE 母座成品	16000
2	CARRIER TAPE	PET	W=16mm T=0.35mm	—
3	COVER TAPE	PET	W=13.3mm T=0.05mm	—
4	小标签		L102mm*W59mm	16
5	卷盘	PS	φ330MM*W28.5MM	16
6	天地板	K3K	L320mm*W320mm	2
7	外标签		L102mm*W102mm	1
8	三角柱	K=K	L300mm*W210mm	4
9	外箱	A=A	L330mm*W330mm*320mm	1
ITEM	DESC.	MATERIAL	REMARKS	QTY

**Bestcreate Technology Limited**

TOLERANCES UNLESS OTHERWISE SPECIFIED:  
 X. ± 0.30 X.\* ± 10°  
 .X ± 0.20 .X\* ± 8°  
 .XX ± 0.10 .XX\* ± 5°  
 Website: www.bsc-elec.com  
 E-mail: bestcreate@bsc-elec.com

DESIGN: I. L DATE: 2017. 3. 1  
 CHECKED: C. W DATE: 2017. 3. 1  
 APPROVED: C. W DATE: 2017. 3. 1

TITLE: **USB C F 6PIN SMT CONN**  
 MATERIAL: PART NO: U06-CFXX5R-AX11 SIZE: A4  
 FINSH: DWG NO: U06-CFXX5R-AX11 SHEET: 2 OF 2

REV: A UNIT mm SCALE 1=1 QUALITY SYMBOLS