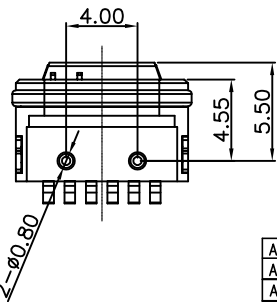
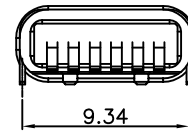
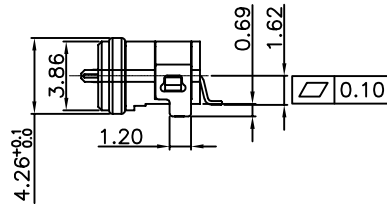
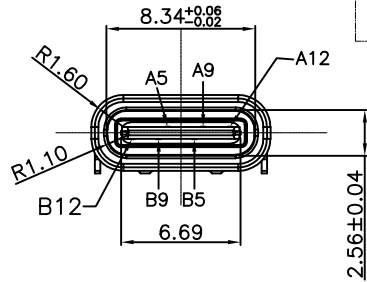
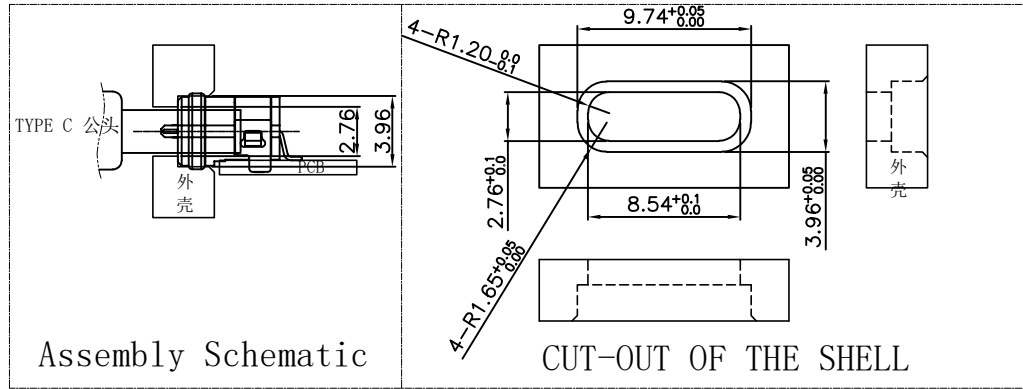
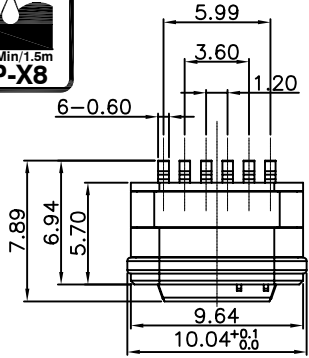
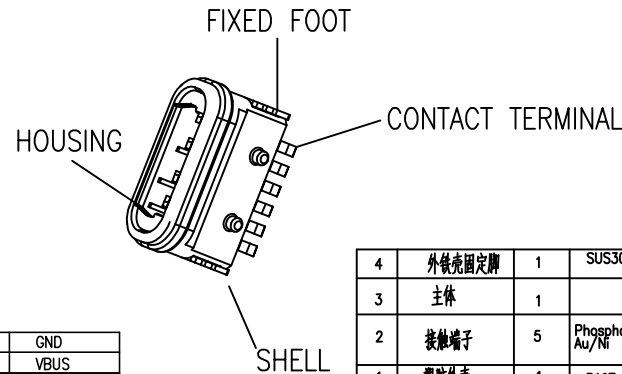


RoHS Compliant

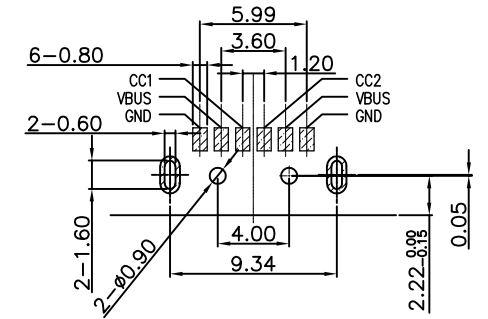


A5	CC1	B12	GND
A9	VBUS	B9	VBUS
A12	GND	B5	CC2
PIN	SIGNAL NAME	PIN	SIGNAL NAME



4	外壳固定脚	1	SUS304 Ni Plating T=0.30mm	Ni:40~120u"
3	主体	1	LCP(G.F30%)	
2	接触端子	5	Phosphor bronze C5210R-EH Au/Ni Plating T=0.20mm	Ni:40~160u" Au:CONTACT AREA:3u" OTHER AREA:G/F
1	塑胶外壳	1	PA9T (G.F30%)	
ITEM	PART NAME	Q' TY	FINISH	NOTE

REVISIONS			
REV.	DESCRIPTION	DATE	DESIGN



RECOMMENDED PCB LAYOUT(TOP VIEW)

THICKNESS T=1.0mm
DEFAULT TOLERANCE+/-0.05

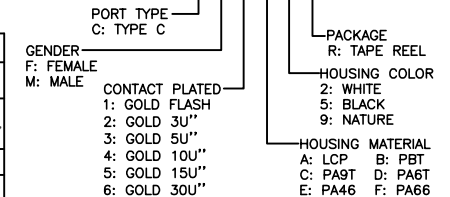
NOTES:

SPECIFICATION:

- CURRENT RATING: 3.0A MAX
- DIELECTRIC WITHSTAND VOLTAGE: 100VAC
- TEMPERATURE RANGE: -30 °C ~ 85 °C
- CONTACT RESISTANCE: 40 MILLIONHM MAX
- INSULATION RESISTANCE: 100 MEGOHMS MIN.
- INSERTION FORCE : 5N~20N
- UNMATING FORCE: 8N~20N
- DURABILITY:5000 CYCLES

PART NO. INFORMATION

U06-C F X X 5 R - W125



Bestcreate Technology Limited

TOLERANCES UNLESS OTHERWISE SPECIFIED:

X.	± 0.50	X."	± 2"
.X	± 0.30	.X"	± 1"
.XX	± 0.10	.XX"	± 0.5"

Website:www.bsc-elec.com
Email:bestcreate@bsc-elec.com

DESIGN: I. L DATE:

CHECKED: C. W DATE:

APPROVED: C. W DATE:

TITLE: IPX8 WATERPROOF 6P USB C FEMALE CONNECTOR SMT TYPE

MATERILA:	PART NO: U06-CFXX5R-W125	SIZE: A4
FINSH:	DWG NO: U06-CFXX5R-W125	1 OF 1

REV: A	UNIT mm	SCALE 1=1	QUALITY SYMBOLS
-----------	------------	--------------	-----------------