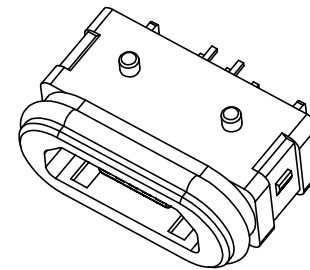
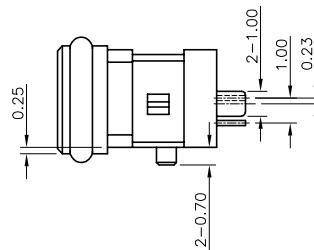
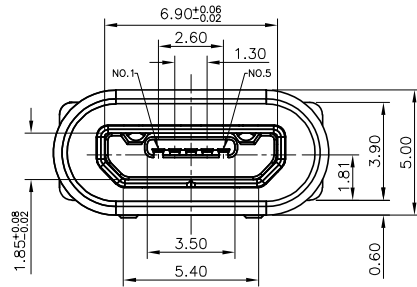
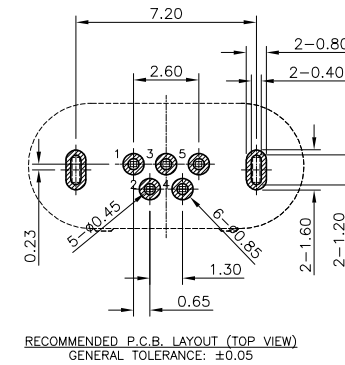
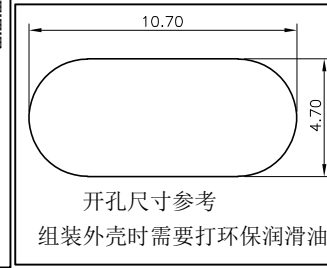
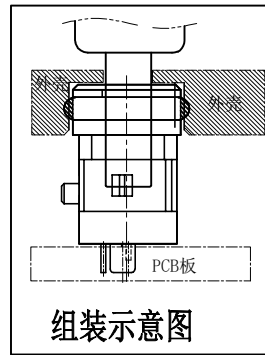
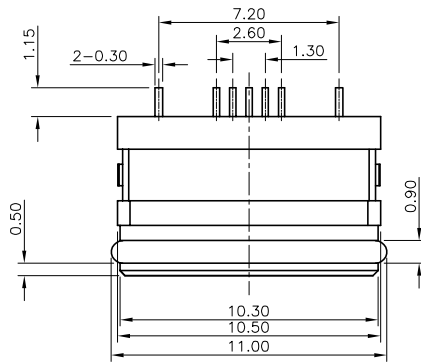


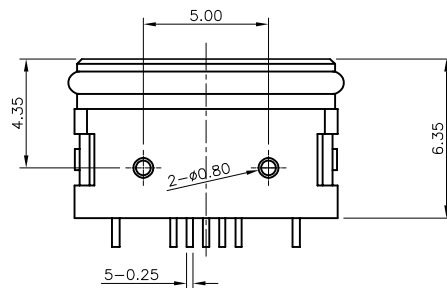
RoHS Compliant

REVISIONS			
REV.	DESCRIPTION	DATE	DESIGN



3D VIEW

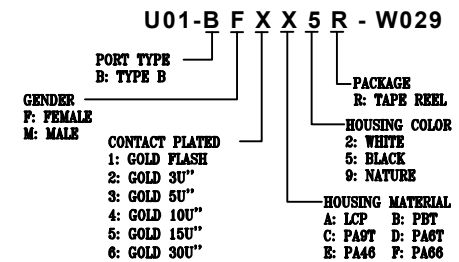
- SPECIFICATIONS:
- ELECTRICAL CHARACTERISTICS:
 - RATING: 1.5A
 - CONTACT RESISTANCE: 30 mΩ MAX.(INITIAL);
 - DIELECTRIC WITHSTANDING: 500V AC MIN.;
 - INSULATION RESISTANCE: 1000MΩ MIN.;
 - DURABILITY: 5,000 CYCLES MIN.;
 - INSERTION FORCE: 3.5Kgf (35N) Max.;
 - EXTRACTION FORCE: 0.8Kgf (8N) Min.;
 - WATER PROOFNESS: THIS PRODUCT IS BASED ON IPX8
 - PLUG INTERFACE DIMENSIONS CONFORM TO USB2.0 SPEC.
 - PACKAGING: TAPE & REEL.



Contact Number	Signal Name	Remarks
1#	VBUS	Power
2#	D-	Date-
3#	D+	Date+
4#	ID	Reserve or Gound
5#	GND	Gound

NO.	DESCRIPTION	QTY	MATERIAL	REMARK
⑤	Oval ring	1	硅橡胶	Black
④	Inner shell	1	SUS304	Nickel plated
③	Terminal	5	CS191, 0.15t	Gold Plated On Contact Area.
②	Outer shell	1	PA9T	Black
①	Body	1	LCP	Black

PART NO. INFORMATION



Bestcreate Technology Limited

TOLERANCES UNLESS OTHERWISE SPECIFIED:

X.	± 0.20	X.*	± 2*
.X	± 0.15	.X*	± 1*
.XX	± 0.10	.XX*	± 0.5*

DESIGN: I.L DATE: 2017/3/1

CHECKED: C.W DATE: 2017/3/1

APPROVED: C.W DATE: 2017/3/1

TITLE: IPX8 WATERPROOF MICRO USB 2.0 5P B FEMALE CONNECTOR

MATERIAL: PART NO: U01-BFXX5R-W029 SIZE: A4

FINISH: DWG NO: U01-BFXX5R-W029 SHEET: 1 OF 1

REV:	UNIT	SCALE	QUALITY SYMBOLS
A	mm	1=1	