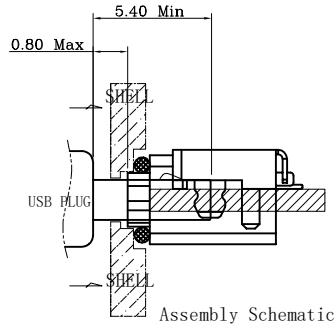
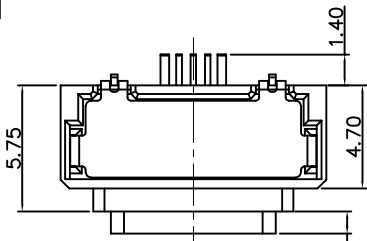
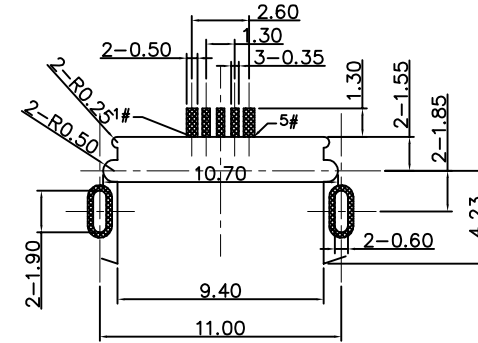
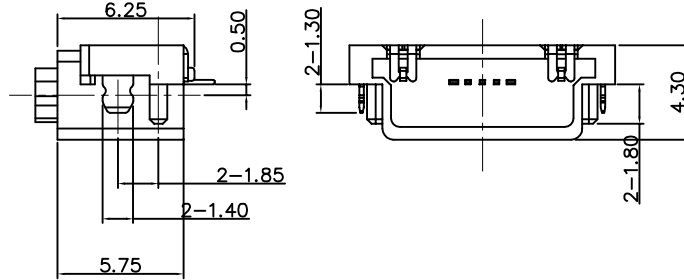
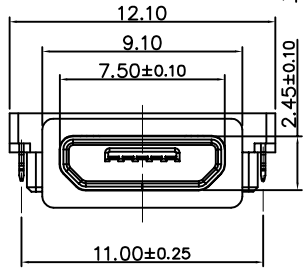


RoHS Compliant

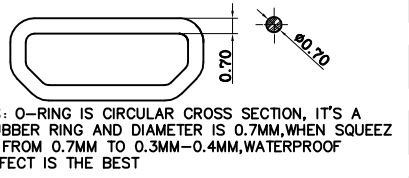
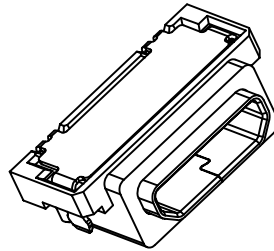
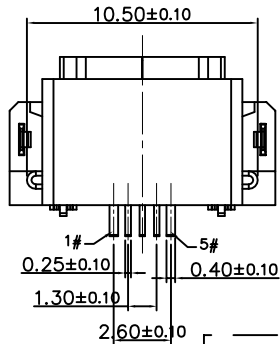
REVISIONS			
REV.	DESCRIPTION	DATE	DESIGN



SPECIFICATIONS:
 1. ELECTRICAL CHARACTERISTICS:
 1.1. RATING: 3A(PIN1&5),0.5A(PIN2&3&4);
 1.2. CONTACT RESISTANCE: 30 mΩ MAX.(INITIAL);
 1.3. DIELECTRIC WITHSTANDING: 500V AC MIN.;
 1.4. INSULATION RESISTANCE: 1000MΩ MIN.;
 2. DURABILITY: 5,000 CYCLES MIN.;
 3. INSERTION FORCE: 3.5Kgf (35N) Max.;
 4. EXTRACTION FORCE: 0.8Kgf (8N) Min.;
 5. WATER PROOFNESS: THIS PRODUCT IS BASED ON IPX7.
 6. PLUG INTERFACE DIMENSIONS COMFORM TO USB2.0 SPEC.
 7. PACKAGING: TAPE & REEL.



Recommended P.C.B. Layout
 Unspecified tolerance: ±0.05
 (Top view)



Contact Number	Signal Name	Remarks
1#	VBUS	Power
2#	D-	Date-
3#	D+	Date+
4#	ID	Reserve or Ground
5#	GND	Ground

ITEM	PART NAME	Q' TY	FINISH
4	Shell	1	Phosphor bronze Ni Plating T=0.20mm
3	Shell	1	SUS304R-1/2HT=0.30mm
2	Contact	5	Phosphor bronze AU/Tin Plating T=0.20mm
1	Housing	1	PA10T (G.F30%)

PART NO. INFORMATION

U01-B F X 5 R - W012

PORT TYPE
B: TYPE B

GENDER
F: FEMALE
M: MALE

CONTACT PLATED
1: GOLD FLASH
2: GOLD 30U"
3: GOLD 50U"
4: GOLD 10U"
5: GOLD 15U"
6: GOLD 30U"

PACKAGE
R: TAPE REEL

HOUSING COLOR
2: WHITE
5: BLACK
9: NATURE

HOUSING MATERIAL
A: LCP B: PBT
C: PA9T D: PA6T
E: PA46 F: PA66

Bestcreate Technology Limited

TOLERANCES UNLESS OTHERWISE SPECIFIED:

.X	± 0.30	X.*	± 2'
.XX	± 0.20	.X*	± 1'
.XXX	± 0.05	.XX*	± 0.5'

DESIGN: I. L DATE: 2017/3/1

CHECKED: C. W DATE: 2017/3/1

APPROVED: C. W DATE: 2017/3/1

TITLE: WATERPROOF MICRO USB 5P B FEMALE CONNECTOR SMT

MATERILA:	PART NO: U01-BFXX5R-W012	SIZE: A4
FINSH:	DWG NO: U01-BFXX5R-W012	SHEET: 1 OF 1

REV: A	UNIT mm	SCALE 1=1	QUALITY SYMBOLS
--------	---------	-----------	-----------------

Website: www.bsc-elec.com
 E-mail: bestcreate@bsc-elec.com