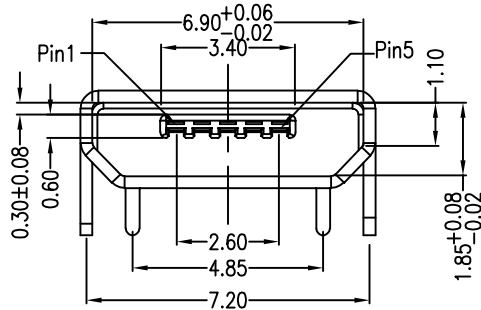
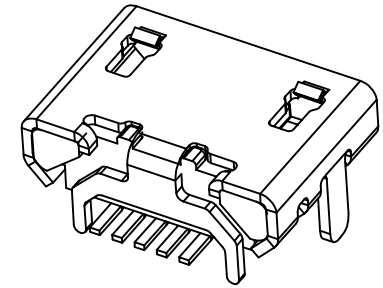
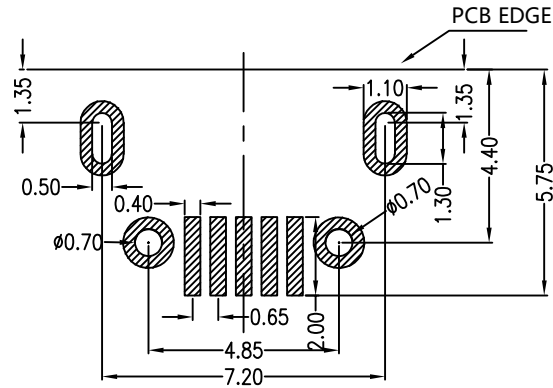
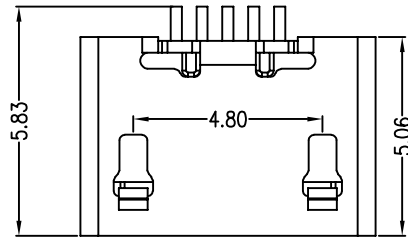
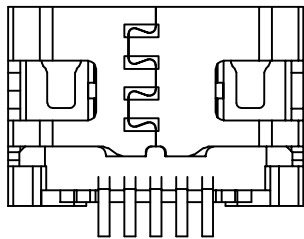
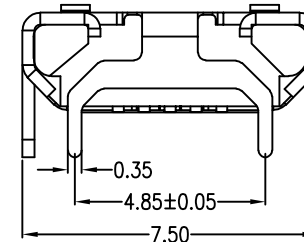
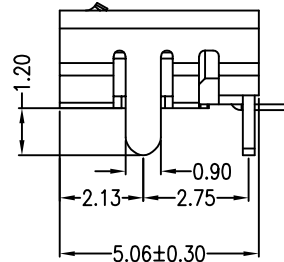


RoHS Compliant

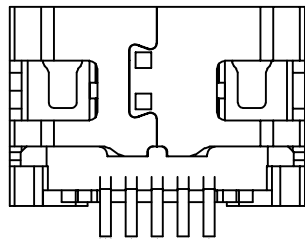
REVISIONS			
REV.	DESCRIPTION	DATE	DESIGN



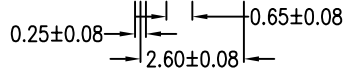
PCB图仅做参考



不锈钢双铆合

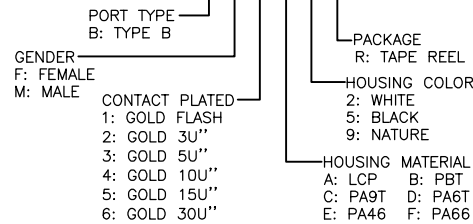


铜壳单铆合



PART NO. INFORMATION

**U01-B F X X 5 R - 312**



Note:

1.Material:

- 1.1 Housing: High temperature thermoplastic with g.f,UL94v-0
- 1.2 Contact: copper alloy,t=0.15mm
- 1.3 Shell: copper alloy,t=0.30mm

2.Specification:

- 2.1 Current rating:1,5PIN 1.8A Max/2,3,4PIN 1A Max.
- 2.2 Dielectric withstanding voltage: 100 V(ac) for 1 min.
- 2.3 Contact resistance: 30 mΩ Max.
- 2.4 Insulation resistance: 100 MΩ Min.
- 2.5 Total mating force: 3.57 Kgf Max.
- 2.6 Total unmating force: 1.0 Kgf Min.
- 2.7 Temperature range: -30°C~80°C

**Bestcreate Technology Limited**

TOLERANCES UNLESS OTHERWISE SPECIFIED:

.X	± 0.15	X.	± 3'
.XX	± 0.10	.X*	± 2'
.XXX	± 0.05	.XX*	± 1'

DESIGN: I. L DATE: 2017/3/1

CHECKED: C. W DATE: 2017/3/1

APPROVED: C. W DATE: 2017/3/1

TITLE: **MIRCO USB 5S B TYPE**  
**四脚全插(牛角型)长针脚长1.2版无翻边**

MATERILA: PART NO: U01-BFXX5R-312 SIZE: A4

FINSH: DWG NO: U01-BFXX5R-312 SHEET: 1 OF 1

REV: A UNIT mm SCALE 1=1 QUALITY SYMBOLS

Website: www.bsc-elec.com  
E-mail: bestcreate@bsc-elec.com