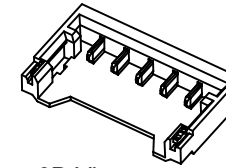
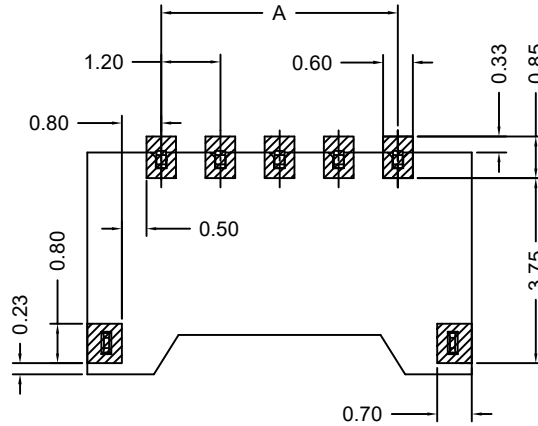
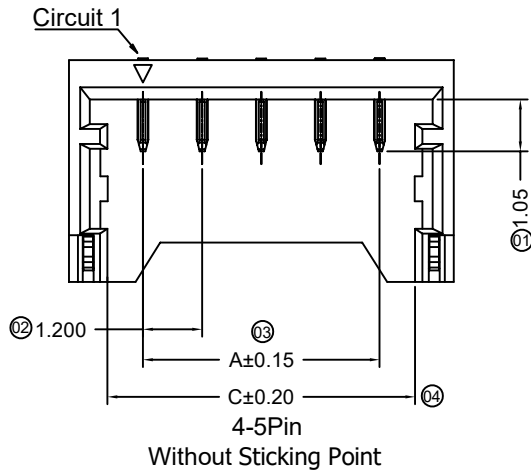
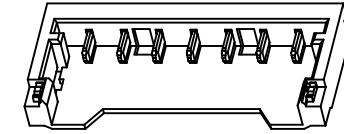


RoHS Compliant

REVISIONS			
REV.	DESCRIPTION	DATE	DESIGN



3D View



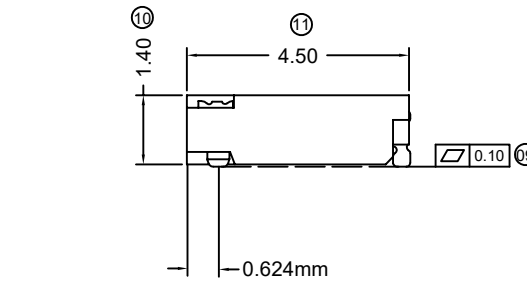
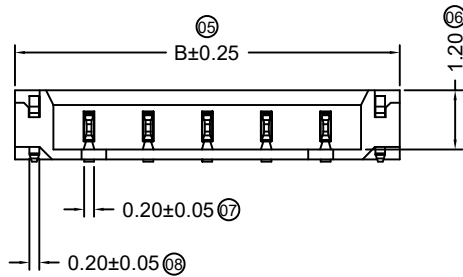
■ Specification

- Voltage Rating : 50V AC/DC
- Current Rating : 2A AC/DC
- Withstanding Voltage : 500V AC /minute
- Insulation Resistance : ≥100MΩ min
- Temperature Range : 40°C to + 105°C
- Contact Resistance : ≤20mΩ
- After Environmental Testing: ≤40mΩ
- Suitable Wire/Cable:AWG #28 to #30,OD:0.8mm max

■ Ordering Information

E1201 W R S - XX 4T - BK X  
1 2 3 4 5 6 7 8

- Series No.
- Category:W-Wafer
- Welding Board Angle:R-Vertical/90°
- Welding Way:S-SMT Type
- Circuit No:XX
- Material(Insulators):4T-PA4T,UL94V-0;LP-LCP,UL94V-0
- Color:Blank-Natural;BK-Black
- Plating Method: S-Bright Tin Plated;M-Me Tin Plated;G-Gold Plated, I-Au 3U"



Poles	Dimensions(mm)			Poles	Dimensions(mm)		
	A	B	C		A	B	C
04	3.60	6.60	5.04	08	8.40	11.40	9.84
05	4.80	7.80	6.24	09	9.60	12.60	11.04
06	6.00	9.00	7.44	10	10.80	13.80	12.24
07	7.20	10.20	8.64				

**Bestcreate Technology Limited**

TOLERANCES UNLESS OTHERWISE SPECIFIED:

.X	± 0.30	.X'	± 3'
.XX	± 0.20	.X'	± 2'
.XXX	± 0.10	.XX'	± 1'

DESIGN: DATE:

I. L. 2017. 3. 1

CHECKED: DATE:

C. W

APPROVED: DATE:

C. W 2017. 3. 1

TITLE:  
1.2mm (0.47") pitch PCB/Wafer R/A SMD/SMT Connector

MATERILA: PART NO:  
E1201WRS-XX4T-BKX SIZE: A4

FINSH: DWG NO:  
E1201WRS-XX4T-BKX

REV: A UNIT mm SCALE 1=1 QUALITY SYMBOLS

Website:www.bsc-elec.com  
Email:bestcreate@bsc-elec.com