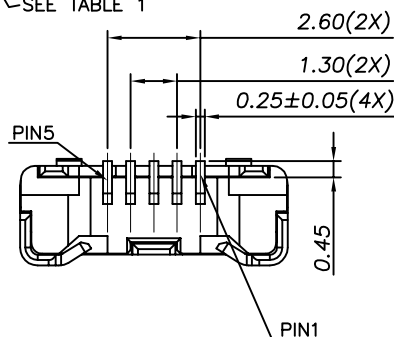
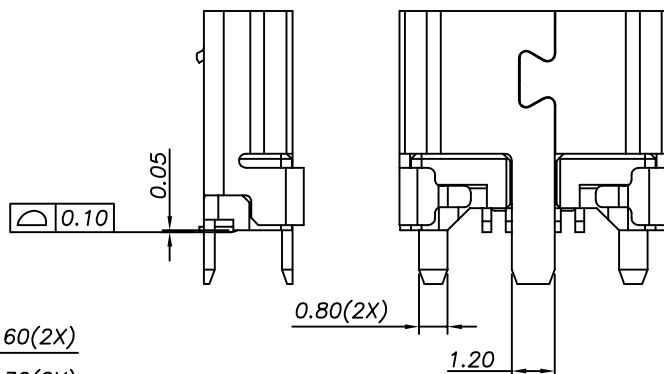
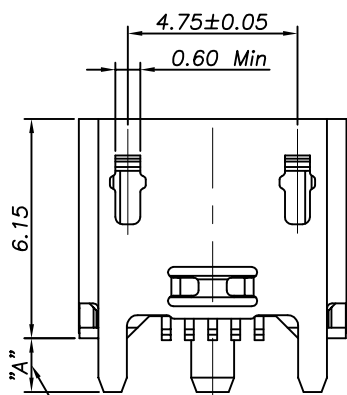
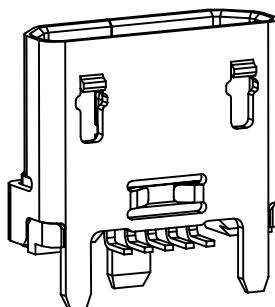
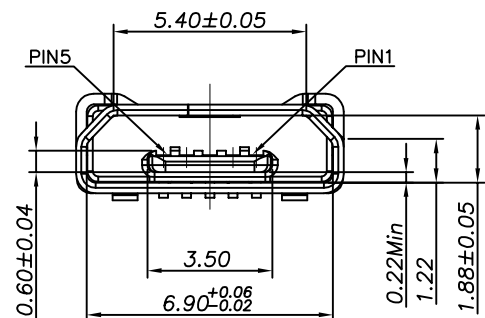


RoHS Compliant

REVISIONS			
REV.	DESCRIPTION	DATE	DESIGN

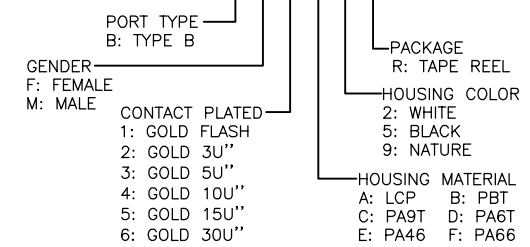


NOTE:

- MATERIAL SPECIFICATION:
  - HOUSING: LCP, UL94 V-0 BLACK.
  - CONTACTS: BRASS (C2680)
  - FRONT SHELL: STAINLESS STEEL (SUS304)
- PLATING SPECIFICATION:
  - CONTACTS:
    - Ni 50u" MIN. UNDER PLATED OVER ALL.
    - Au 1u" MIN PLATED ON THE FUNCTIONAL AREA OF CONTACT.
  - FRONT SHELL:
    - Ni 30u" MIN. UNDER PLATED OVER ALL.
- MECHANICAL PERFORMANCE,
  - INSERTION FORCE: 3.5Kgf MAX
  - REMOVAL FORCE: 0.8kgf MIN
  - DURABILITY: 10000 CYCLES.
- ELECTRICAL PERFORMANCE,
  - CURRENT RATING:
    - VBUS & GND PINS: 1.8A MAX.
    - OTHER PINS: 0.5A MAX.
  - LLCR:
    - VBUS & GND PINS AND OTHER PINS: 30mΩ/PIN MAX.
    - SHIELD: 50mΩ/MAX.
    - LLCR MAX. CHANGE OF ALL PINS: 10mΩ.
  - INSULATION RESISTANCE: 100MΩ MIN
  - DIELECTRIC WITHSTAND VOLTAGE, AC 100V FOR 1 MINUTE.
- ENVIRONMENTAL PERFORMANCE:
  - OPERATING TEMPERATURE: -25°C ~ +85°C.
- IR REFLOW:
  - THE PEAK TEMPERATURE ON THE BOARD SHALL BE MAINTAINED FOR 10 SECONDS AT 260°C.

PART NO. INFORMATION

**U01-B F X X 5 R - 1002-VX**



**Bestcreate Technology Limited**

TOLERANCES UNLESS OTHERWISE SPECIFIED:

X.	± 0.50	X.*	± 3'
.X	± 0.30	.X'	± 2'
.XX	± 0.20	.XX'	± 1'

Website: www.bsc-elec.com  
Email: bestcreate@bsc-elec.com

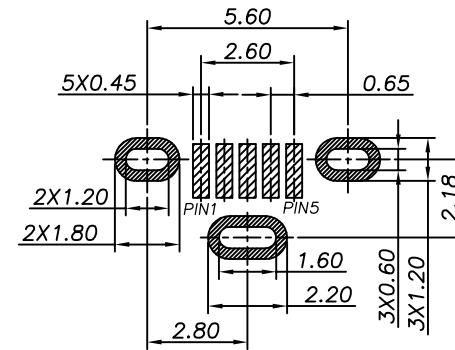
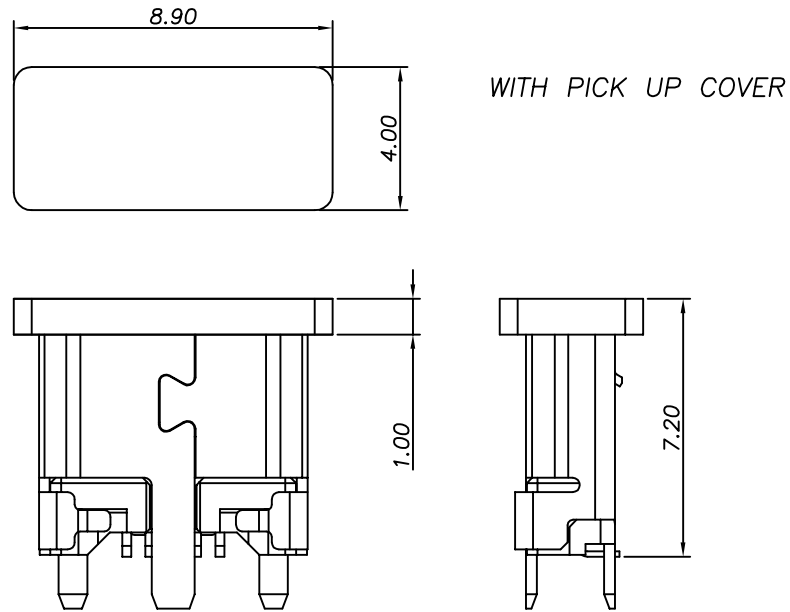
DESIGN:	I. L	DATE:	2017. 3. 1
CHECKED:	C. W	DATE:	2017. 3. 1
APPROVED:	C. W	DATE:	2017. 3. 1

TITLE:		
MIRCO USB 5F B TYPE 180D Vertical DIP		
MATERILA:	PART NO:	SIZE:
FINSH:	U01-BFXX5R-1002-VX	A4
	DWG NO:	
	U01-BFXX5R-1002-VX	

REV:	UNIT	SCALE	QUALITY SYMBOLS
A	mm	1=1	

RoHS Compliant

REVISIONS			
REV.	DESCRIPTION	DATE	DESIGN



RECOMMENDED PCB LAYOUT(TOP VIEW)  
 DEFAULT TOLERANCE:±0.05

MICRO USB PIN ASSIGNMENTS

PIN NUMBER	SIGNAL NAME
Pin1	VBUS
Pin2	D-
Pin3	D+
Pin4	ID
Pin5	GND

TABLE 1

ITEM	P/N	"A" DIMENSIONS
1	U01-BFXX5R-1002-V1	2.30mm
2	U01-BFXX5R-1002-V2	1.50mm
3	U01-BFXX5R-1002-V3	0.95mm

**Bestcreate Technology Limited**

TOLERANCES UNLESS OTHERWISE SPECIFIED:

X.	± 0.50	X'	± 3'
.X	± 0.30	.X'	± 2'
.XX	± 0.20	.XX'	± 1'

Website:www.bsc-elec.com  
 Email:bestcreate@bsc-elec.com

DESIGN: I. L. DATE: 2017.3.1

CHECKED: C. W. DATE: 2017.3.1

APPROVED: C. W. DATE: 2017.3.1

TITLE: MIRCRO USB 5F B TYPE 180D Vertical DIP

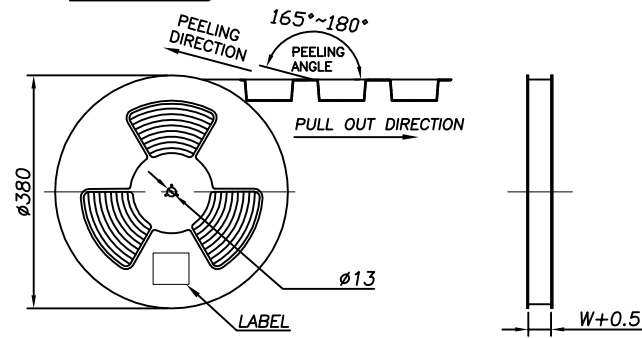
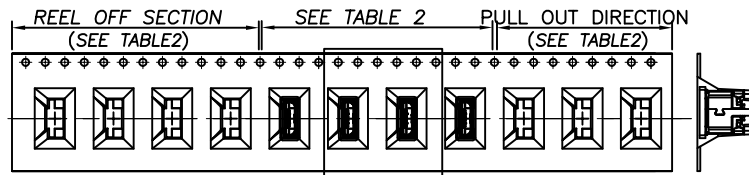
MATERILA: PART NO: U01-BFXX5R-1002-VX SIZE: A4

FINSH: DWG NO: U01-BFXX5R-1002-VX

REV: A UNIT mm SCALE 1=1 QUALITY SYMBOLS

RoHS Compliant

REVISIONS			
REV.	DESCRIPTION	DATE	DESIGN



03

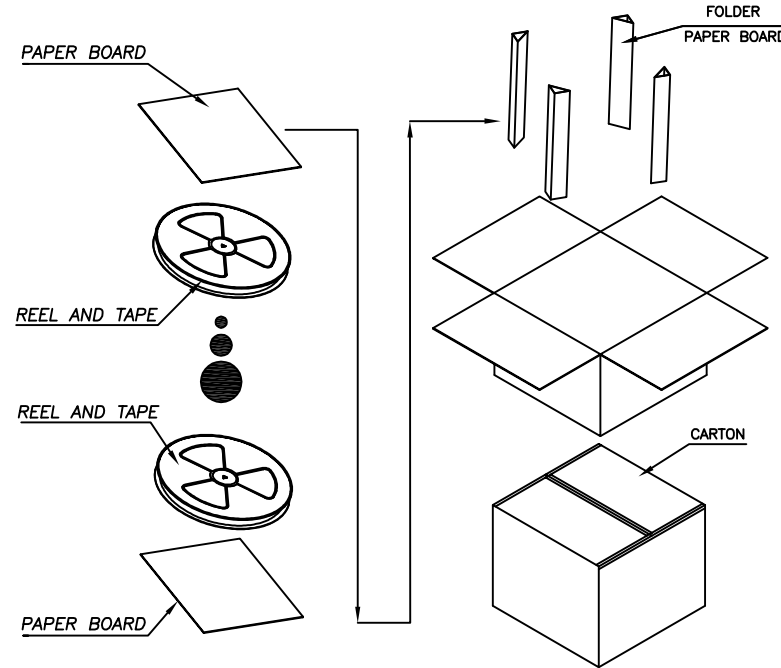
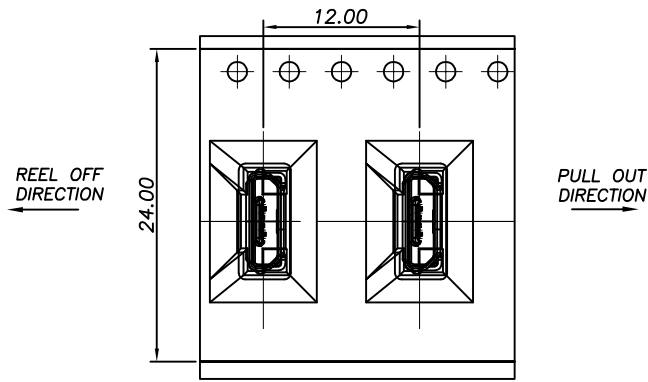


TABLE 2

P/N	CONNECTOR REEL/TRAY	CARTON	SECTION FREE CAVITY	LEADER FREE CAVITY
U01-BFXX5R-1002-V2	750PCS	7500PCS	35	15
U01-BFXX5R-1002-V3	750PCS	7500PCS	35	15
U01-BFXX5R-1002-V1	600PCS	6000PCS	16	16

**Bestcreate Technology Limited**

TOLERANCES UNLESS OTHERWISE SPECIFIED:

X.	± 0.50	X.*	± 3'
.X	± 0.30	.X*	± 2'
.XX	± 0.20	.XX*	± 1'

Website:www.bsc-elec.com  
Email:bestcreate@bsc-elec.com

DESIGN: I. L DATE: 2017.3.1

CHECKED: C. W DATE: 2017.3.1

APPROVED: C. W DATE: 2017.3.1

TITLE: MIRCO USB 5F B TYPE 180D Vertical DIP

MATERILA: PART NO: U01-BFXX5R-1002-VX SIZE: A4

FINSH: DWG NO: U01-BFXX5R-1002-VX

REV: A	UNIT mm	SCALE 1=1	QUALITY SYMBOLS
--------	---------	-----------	-----------------