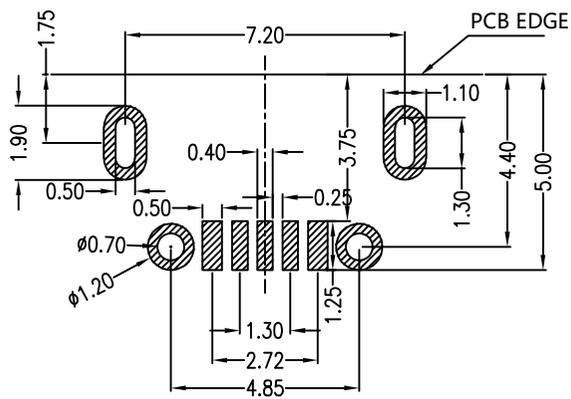
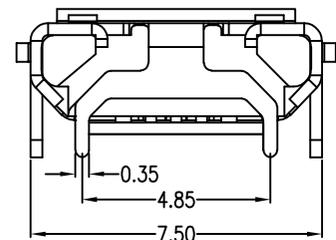
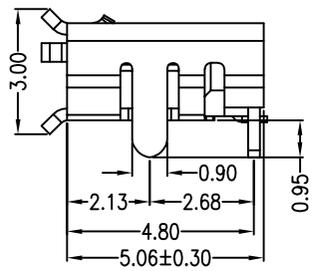
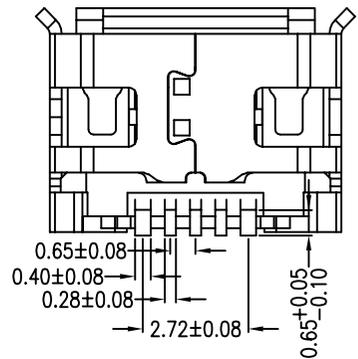
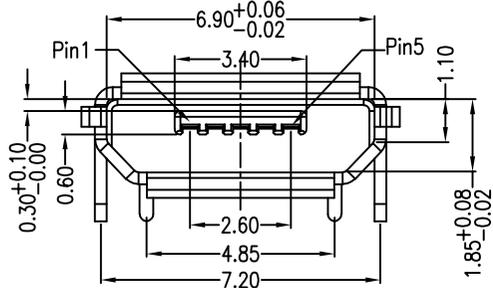
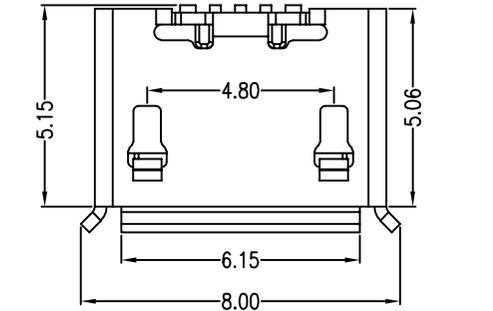


RoHS Compliant

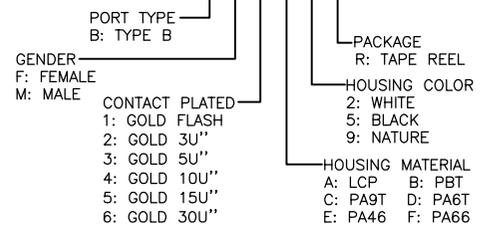
REVISIONS			
REV.	DESCRIPTION	DATE	DESIGN



PCB图仅供参考

PART NO. INFORMATION

U01-B F X X 5 R -309



Note:

- Material:
 - Housing: High temperature thermoplastic with g.f,UL94v-0
 - Contact: copper alloy,t=0.15mm
 - Shell: copper alloy,t=0.30mm
- Specification:
 - Current rating:1,5PIN 3A Max/2,3,4PIN 1A Max.
 - Dielectric withstanding voltage: 100 V(ac) for 1 min.
 - Contact resistance: 30 mΩ Max.
 - Insulation resistance: 100 MΩ Min.
 - Total mating force: 3.57 Kgf Max.
 - Total unmating force: 1.0 Kgf Min.
 - Temperature range: -30°C~80°C

Bestcreate Technology Limited

TOLERANCES UNLESS OTHERWISE SPECIFIED:

.X	± 0.15	X.*	± 3°
.XX	± 0.10	.X.*	± 2°
.XXX	± 0.05	.XX.*	± 1°

Website: www.bsc-elec.com
E-mail: bestcreate@bsc-elec.com

DESIGN: I. L
DATE: 2023/4/1

CHECKED: C. W
DATE: 2023/4/1

APPROVED: C. W
DATE: 2023/4/1

TITLE: **MIRCO USB 5S B TYPE 四脚全插
牛角型短针有导位1,5加宽**

MATERIAL: PART NO: U01-BFXX5R-309 SIZE: A4

FINISH: DWG NO: U01-BFXX5R-309 SHEET: 1 OF 1

REV: A	UNIT: mm	SCALE: 1=1	QUALITY SYMBOLS:
--------	----------	------------	------------------