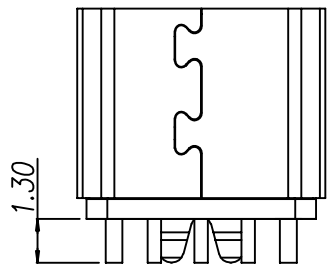
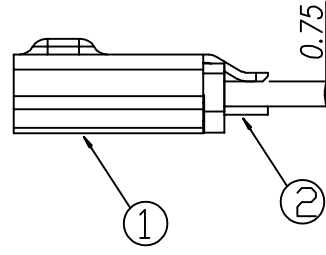
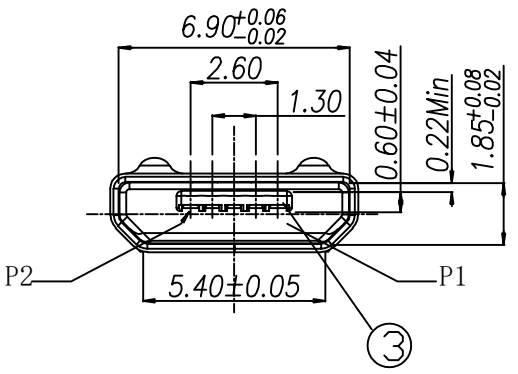
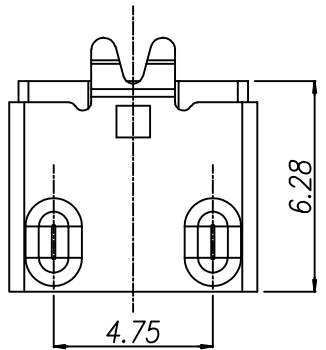


RoHS Compliant

REVISIONS			
REV.	DESCRIPTION	DATE	DESIGN



NOTES:

- CONTACT CURRENT RATING:1.0A(SIGNAL PIN 2, 3, 4);2A(POWER PIN1, 5);
- CONTACT RESISTANCE:30mΩ Max;
- INSULATION RESISTANCE:100MΩ Min;
- DIELECTRIC WITHSTANDING:100V AC Min;
- DURABILITY:10,000CYCLES;
- BEFORE THE LIFE FORCES:35N Max;
- AFTER THE LIFE FORCES:10N Min
- OPERATION TEMPERATURE:-30° TO+80° ;
- ELECTROPLATING REQUIREMENTS:Au 1u"MIN ON CONTACT AREA;

PART NO. INFORMATION

U01-B F X X 5 R - 1304

- PORT TYPE
B: TYPE B
- GENDER
F: FEMALE
M: MALE
- CONTACT PLATED
1: GOLD FLASH
2: GOLD 3U"
3: GOLD 5U"
4: GOLD 10U"
5: GOLD 15U"
6: GOLD 30U"
- PACKAGE
R: TAPE REEL
- HOUSING COLOR
2: WHITE
5: BLACK
9: NATURE
- HOUSING MATERIAL
A: LCP B: PBT
C: PA9T D: PA6T
E: PA46 F: PA66

Bestcreate Technology Limited

TOLERANCES UNLESS OTHERWISE SPECIFIED:			
X.	± 0.30	X.*	± 3*
.X	± 0.25	.X*	± 2*
.XX	± 0.20	.XX*	± 1*

Website: www.bsc-elec.com
E-mail: bestcreate@bsc-elec.com

DESIGN: I. L	DATE: 2017/3/1
CHECKED: C. W	DATE: 2017/3/1
APPROVED: C. W	DATE: 2017/3/1

TITLE: Micro USB 5P B/F for 0.8mm PCB		
MATERILA:	PART NO: U01-BMXX5R-1304	SIZE: A4
FINSH:	DWG NO: U01-BMXX5R-1304	SHEET: 1 OF 1

REV: A	UNIT mm	SCALE 1=1	QUALITY SYMBOLS
-----------	------------	--------------	-----------------