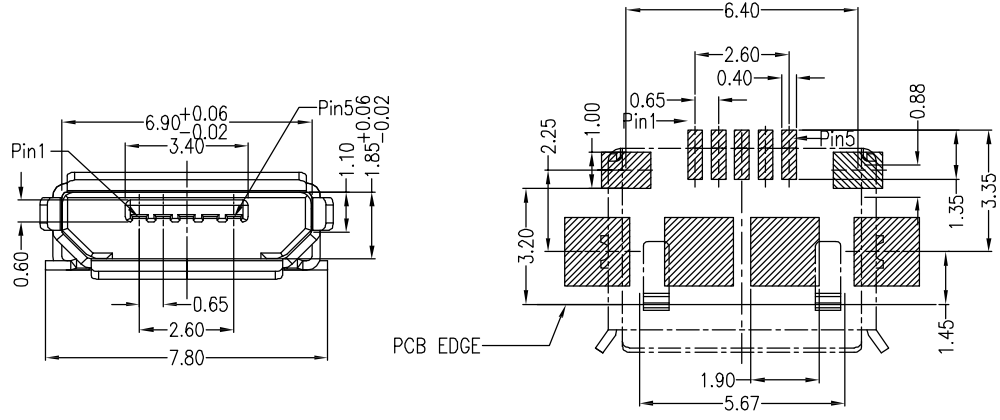
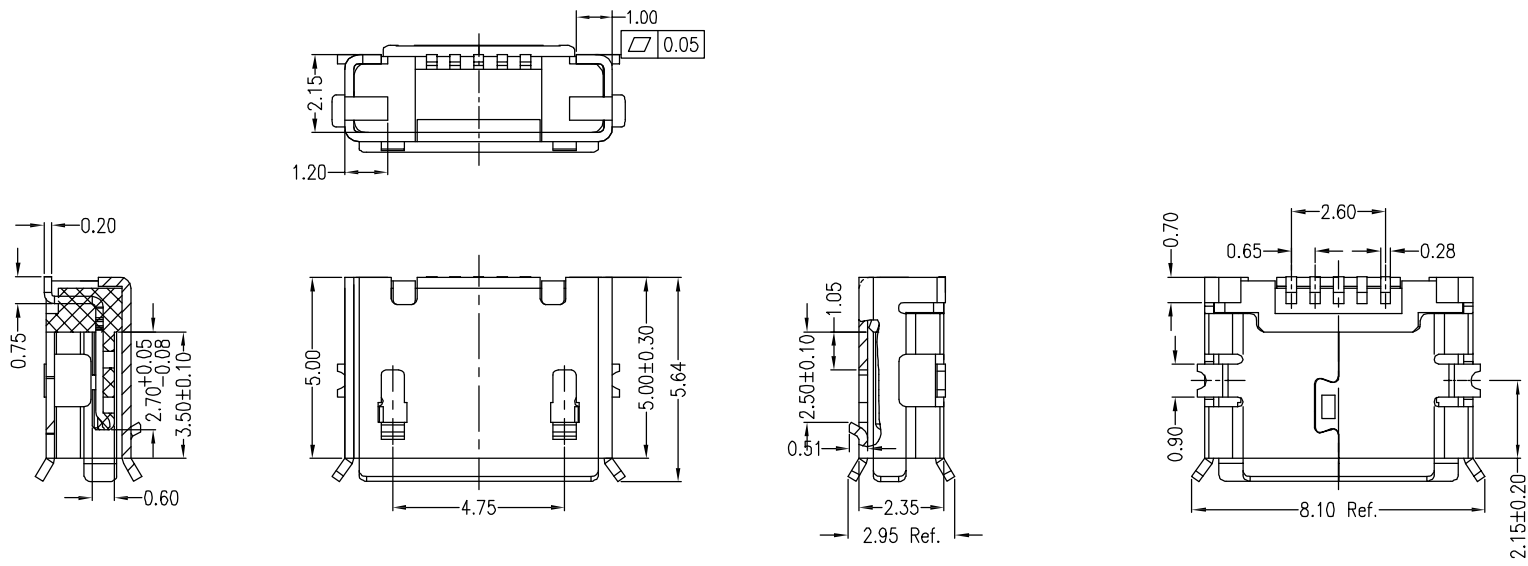


RoHS Compliant

REVISIONS			
REV.	DESCRIPTION	DATE	DESIGN

Note:
 1.Material:
 1.1 Housing: High temperature thermoplastic with g.f,UL94v-0
 1.2 Contact: copper alloy,t=0.20mm
 1.3 Shell: copper or sus304,t=0.25mm
 2.Specification:
 2.1 Current rating: 1 A Max.
 2.2 Dielectric withstanding voltage: 100 V(ac) for 1 min.
 2.3 Contact resistance: 30 MΩ Max.
 2.4 Insulation resistance: 100 MΩ Min.
 2.5 Total mating force: 3.57 Kgf Max.
 2.6 Total unmating force: 1.0 Kgf Min
 2.7 Temperature range: -30°C~80°C



PART NO. INFORMATION
U01-B F X X 5 R - 603

GENDER
 F: FEMALE
 M: MALE

PORT TYPE
 B: TYPE B

CONTACT PLATED
 1: GOLD FLASH
 2: GOLD 3U"
 3: GOLD 5U"
 4: GOLD 10U"
 5: GOLD 15U"
 6: GOLD 30U"

PACKAGE
 R: TAPE REEL

HOUSING COLOR
 2: WHITE
 5: BLACK
 9: NATURE

HOUSING MATERIAL
 A: LCP B: PBT
 C: PA9T D: PA6T
 E: PA46 F: PA66

Bestcreate Technology Limited

TOLERANCES UNLESS OTHERWISE SPECIFIED:

X.	± 0.30	X.*	± 3'
.X	± 0.25	.X*	± 2'
.XX	± 0.20	.XX*	± 1'

Website: www.bsc-elec.com
 E-mail: bestcreate@bsc-elec.com

DESIGN: I. L DATE: 2017/3/1
 CHECKED: C. W DATE: 2017/3/1
 APPROVED: C. W DATE: 2017/3/1

TITLE: Micro USB 5P B Type Female SMT

MATERILA:	PART NO: U01-BFXX5R-603	SIZE: A4
FINSH:	DWG NO: U01-BFXX5R-603	SHEET: 1 OF 1

REV: A	UNIT mm	SCALE 1=1	QUALITY SYMBOLS
--------	---------	-----------	-----------------