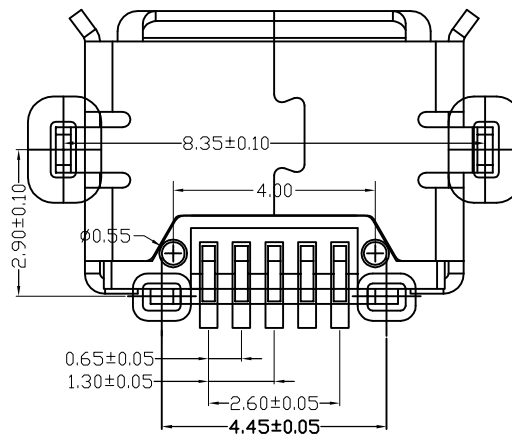
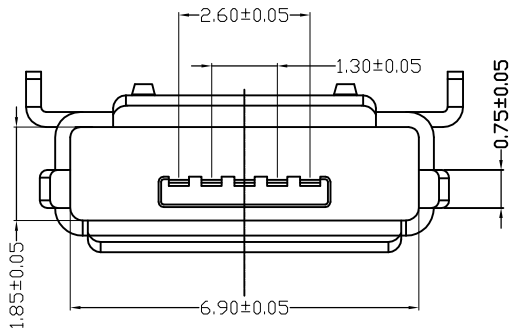
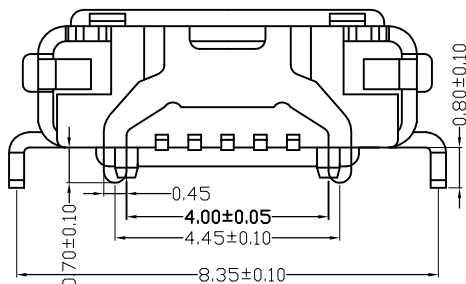
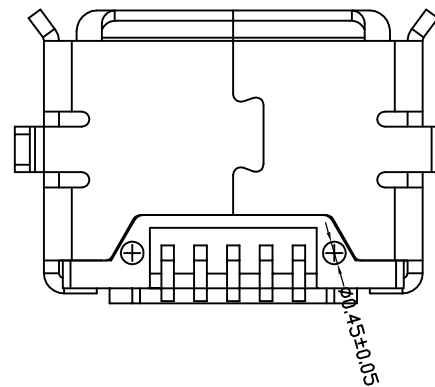
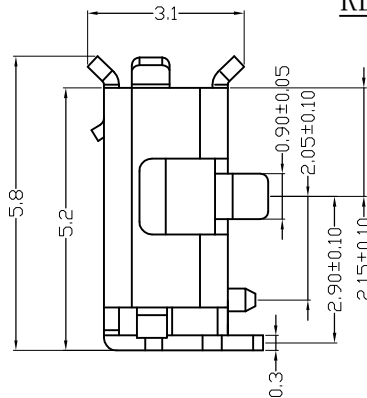
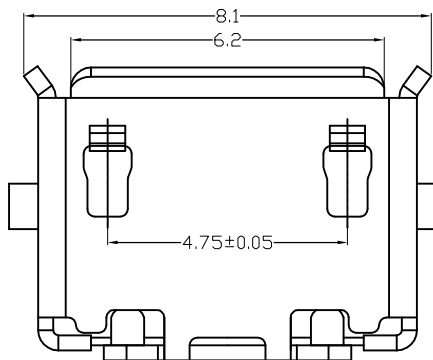


RoHS Compliant

| REVISIONS | | | |
|-----------|-------------|------|--------|
| REV. | DESCRIPTION | DATE | DESIGN |
| | | | |



RECOMMENDED PCB LAYOUT



- NOTE:
- SPECIFICATION:
 - MATING FORCE: 35N MAX.
 - UNMATING FORCE: 10N MIN. INITIAL 8-20N AFTER 3000 CYCLES
 - RATED CURRENT: 1.0A
 - RATED VOLTAGE: 30V
 - DURABILITY: 3000 CYCLES MIN.
 - WITHSTAND VOLTAGE: 100V AC MIN.
 - CONTACT RESISTANCE: 30mΩ MAX. INITIAL; 40mΩ MAX AFTER 3000 CYCLES
 - INSULATION RESISTANCE: 100MΩ MIN
 - WORKING TEMPERATURE: -30° TO +80°
 - MATERIAL:
 - HOUSING: LCP UL94V-0
 - TERMINAL: C2680R-H, NI BASE, AU1 μ"
 - SHELL: SUS
 - ALL THE MATERIAL APPROVED RoHS

PART NO. INFORMATION

U01-AB F X X 5 R - 901

- PORT TYPE
AB: TYPE AB
- GENDER
F: FEMALE
M: MALE
- CONTACT PLATED
1: GOLD FLASH
2: GOLD 3U"
3: GOLD 5U"
4: GOLD 10U"
5: GOLD 15U"
6: GOLD 30U"
- PACKAGE
R: TAPE REEL
- HOUSING COLOR
2: WHITE
5: BLACK
9: NATURE
- HOUSING MATERIAL
A: LCP B: PBT
C: PA9T D: PA6T
E: PA46 F: PA66

Bestcreate Technology Limited

TOLERANCES UNLESS OTHERWISE SPECIFIED:

| | | | |
|-----|--------|------|------|
| X. | ± 0.30 | X.* | ± 3* |
| .X | ± 0.25 | .X* | ± 2* |
| .XX | ± 0.20 | .XX* | ± 1* |

Website: www.bsc-elec.com

E-mail: bestcreate@bsc-elec.com

DESIGN: I. L DATE: 2017/3/1

CHECKED: C. W DATE: 2017/3/1

APPROVED: C. W DATE: 2017/3/1

TITLE: Micro USB 5P AB FEMALE CONNECTOR

| | | |
|-----------|--------------------------|---------------|
| MATERIAL: | PART NO: U01-ABFXX5R-901 | SIZE: A4 |
| FINISH: | DWG NO: U01-ABFXX5R-901 | SHEET: 1 OF 1 |

| | | | |
|--------|---------|-----------|-----------------|
| REV: A | UNIT mm | SCALE 1=1 | QUALITY SYMBOLS |
|--------|---------|-----------|-----------------|