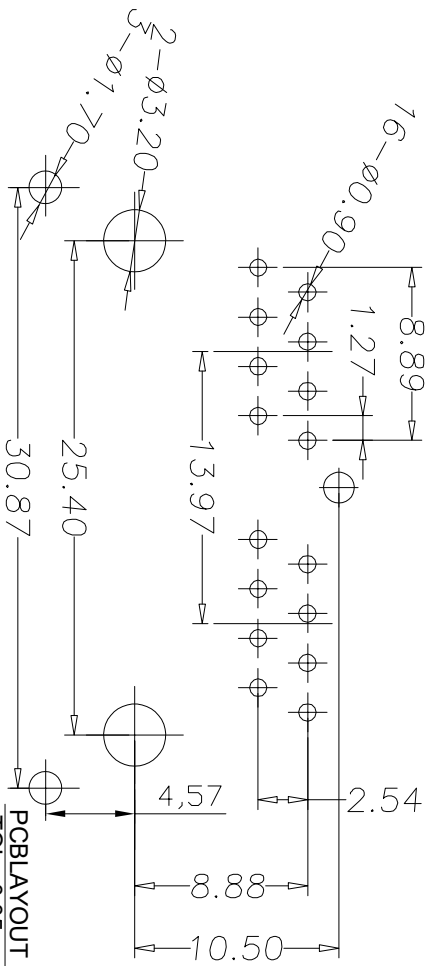
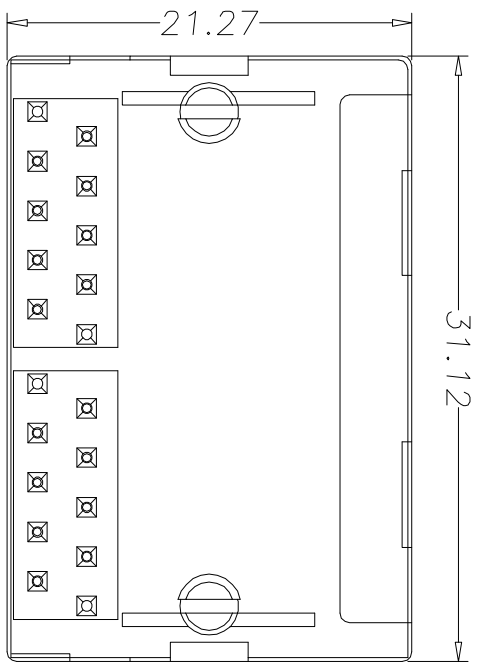
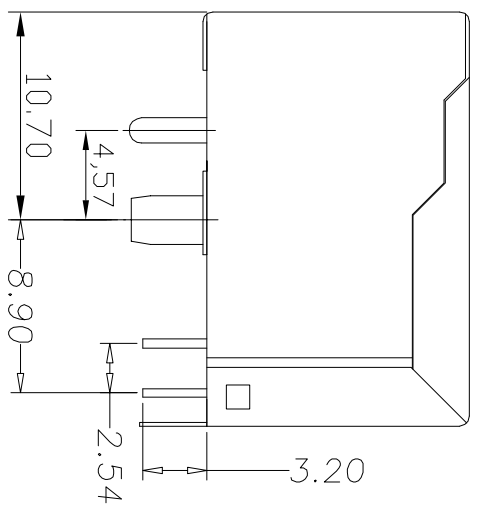
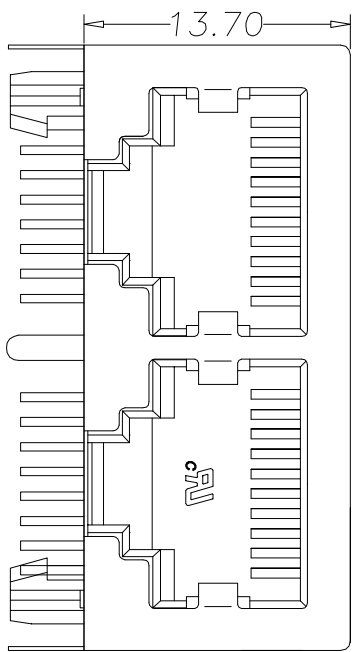


RoHS Compliant



REVISIONS		
REV.	DESCRIPTION	DATE

- NOTES
- MATERIAL
- 1. HOUSING MATERIAL : PBT BLACK UL94V-0.
 - 2. CONTACT MATERIAL : PHOSPHOR BRONZE Ø0.46mm.
 - 3. PLATING : GOLD FLASH PLATING OVER NICKEL.
 - 4. SHIELD : 0.20mm THICKNESS COPPER ALLOY WITH NICKEL PLATED.
- ELECTRICAL
- 1. VOLTAGE RATING : 125 VAC RMS.
 - 2. CURRENT RATING : 1.5 AMP.
 - 3. CONTACT RESISTANCE : 40 MILLI OHMS MAX.
 - 4. INSULATION RESISTANCE : 500 MEG OHMS MIN @ 100V DC.
 - 5. DIELECTRIC DIELECTRIC RESISTANCE : 500V DC RMS 50Hz. 1MIN.
- MECHANICAL
- 1. DURABILITY : 750 CYCLES MIN.
 - 2. MATING/UNMATING FORC: 2.24 KG. F MAX.
- ENVIRONMENTAL:
- 1. OPERATION : -40°C~+85°C.
 - 2. STORAGE : -40°C~+85°C.

PART NO. INFORMATION

RJ01-X 5 X X - 095

- CONTACT PLATED
- 1: G/F
 - 2: AU 3U"
 - 3: AU 6U"
- HOUSING:
- 1:PBT BLACK
- PACKAGE
- R: TAPE REEL
 - T: TRAY

PCBLAYOUT
TOL:±0.05

Bestcreate Technology Limited

REV: A	UNIT mm	SCALE 1=1	QUALITY SYMBOLS
--------	---------	-----------	-----------------

TOLERANCES UNLESS OTHERWISE SPECIFIED:			
X	± 0.35	X'	± 0.25
.XX	± 0.25	.X'	± 0.15
.XXX	± 0.15	.XX'	± 0.10

DESIGN: I.L	DATE: 2017.3.1
CHECKED: C.W	DATE: 2017.3.1
APPROVED: C.W	DATE: 2017.3.1

TITLE: 5921 1x2 8P8C F4.57 DIP TYPE	PART NO: RJ01-X5XX-095	SIZE: A4
MATERIAL:	DWG NO: RJ01-X5XX-095	