

RoHS Compliant

REVISIONS			
REV.	DESCRIPTION	DATE	DESIGN

NOTES

MATERIAL

- 1. HOUSING MATERIAL : PBT UL94V-0.
- 2. CONTACT MATERIAL : PHOSPHOR BRONZE $\phi 0.46\text{mm}$.
- 3. PLATING : GOLD FLASH PLATING OVER NICKEL.

ELECTRICAL

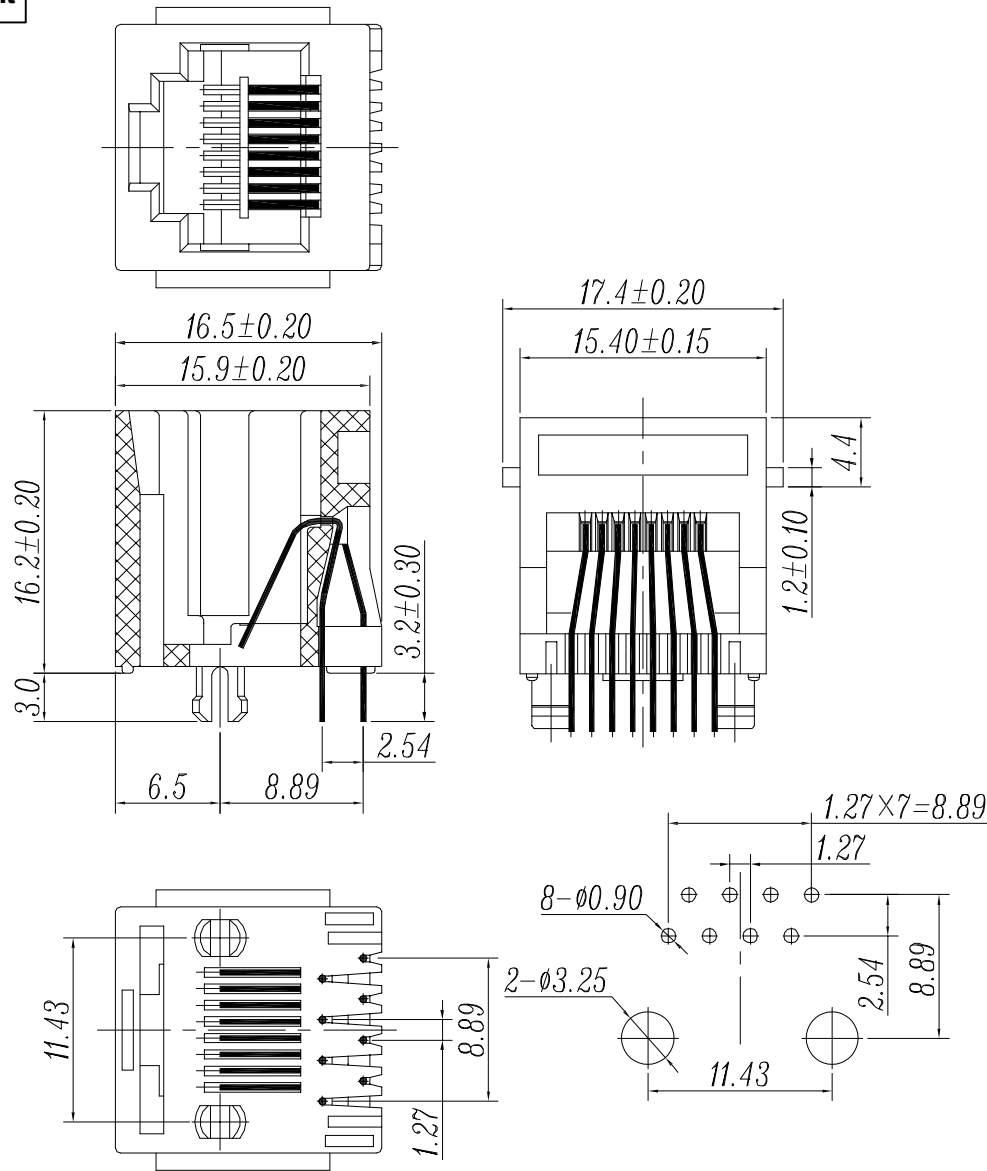
- 1. VOLTAGE RATING : 125 VAC RMS.
- 2. CURRENT RATING : 1.5 AMP.
- 3. CONTACT RESISTANCE : 40 MILLIOHMS MAX.
- 4. INSULATION RESISTANCE : 500 MEGOHMS MIN @ 100V DC .
- 5. DIELECTRIC DIELECTRIC RESISTANCE : 500V DC RMS 50Hz. 1MIN.

MECHANICAL

- 1. DURRABILITY : 750 CYCLES MIN.
- 2. MATING/UNMATING FORCE : 2.04 KG. F MAX.

ENVIRONMENTAL :

- 1. STORAGE : $-40^{\circ}\text{C} \sim +85^{\circ}\text{C}$.
- 2. OPERATION : $0^{\circ}\text{C TO } 70^{\circ}\text{C}$.



PART NO. INFORMATION

RJ01- X 5 0 X - 111

CONTACT PLATED

- 1: G/F
- 2: AU 3U"
- 3: AU 6U"
- 4: AU 15U"
- 5: AU 30U"

- PACKAGE
- R: TAPE REEL
- T: TRAY

Bestcreate Technology Limited

TOLERANCES UNLESS OTHERWISE SPECIFIED:

.X	± 0.35	X'	± 3'
.XX	± 0.25	.X'	± 2'
.XXX	± 0.15	.XX'	± 1'

Website: www.bsc-elec.com

Email: bestcreate@bsc-elec.com

DESIGN:

DATE:

I. L.

2017. 3. 1

CHECKED:

DATE:

C. W

2017. 3. 1

APPROVED:

DATE:

C. W

2017. 3. 1

TITLE:

5222 VERTICAL RJ45 FEMALE CONNECTOR DIP TYPE

MATERILA:

PART NO:

RJ01-X50X-111

SIZE: A4

FINSH:

DWG NO:

RJ01-X50X-111

REV:

A

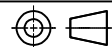
UNIT

mm

SCALE

1=1

QUALITY SYMBOLS



1

2

3

4

5

6

7

8