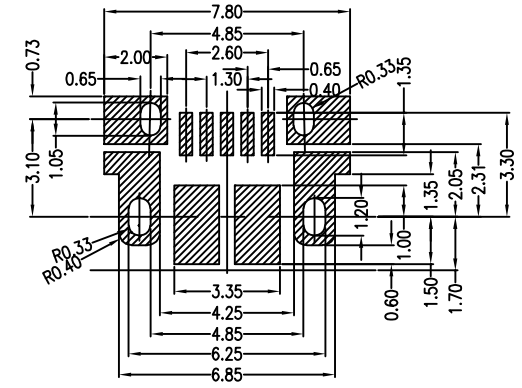
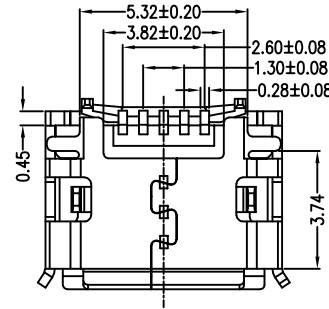
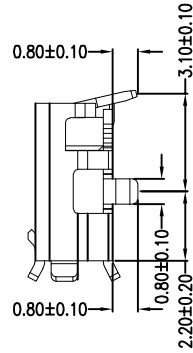
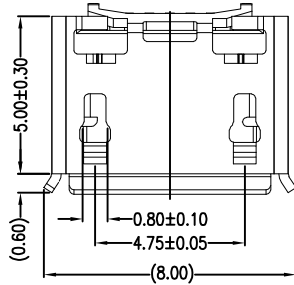
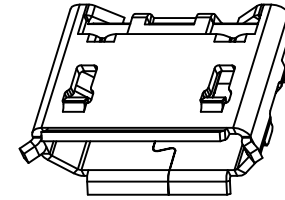
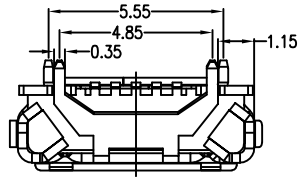


RoHS Compliant

REVISIONS			
REV.	DESCRIPTION	DATE	DESIGN



RECOMMENDED PCB PATTERN
Tolerance: ±0.05
PCB图仅供参考

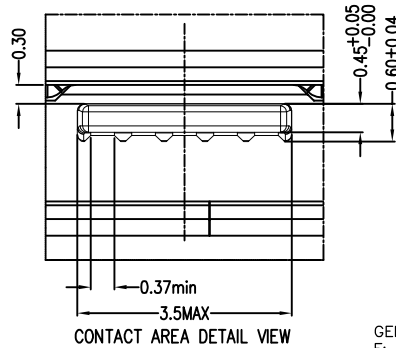
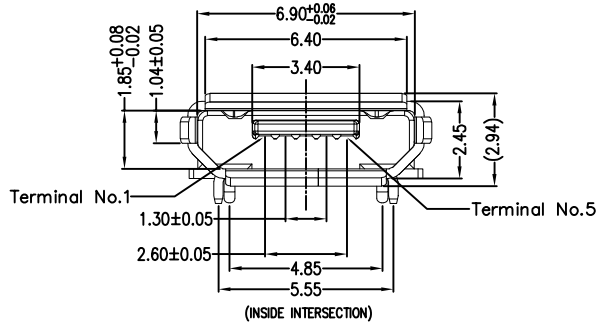
Note:

1. Material:

- 1.1 Housing: LCP High temperature thermoplastic with g.f, UL94v-0
- 1.2 Contact: copper alloy, t=0.15mm
- 1.3 Shell: SUS304, t=0.30mm

2. Specification:

- 2.1 Current rating: 1.5PIN 1.8A Max/2,3,4PIN 1A Max.
- 2.2 Dielectric withstanding voltage: 100 V(ac) for 1 min.
- 2.3 Contact resistance: 30 mΩ Max.
- 2.4 Insulation resistance: 100 MΩ Min.
- 2.5 Total mating force: 3.57 Kgf Max.
- 2.6 Total unmating force: 1.0 Kgf Min.
- 2.7 Temperature range: -30°C~80°C



PART NO. INFORMATION

U01-B F X X 5 R -305

- PORT TYPE
B: TYPE B
- GENDER
F: FEMALE
M: MALE
- CONTACT PLATED
1: GOLD FLASH
2: GOLD 3U''
3: GOLD 5U''
4: GOLD 10U''
5: GOLD 15U''
6: GOLD 30U''
- PACKAGE
R: TAPE REEL
- HOUSING COLOR
2: WHITE
5: BLACK
9: NATURE
- HOUSING MATERIAL
A: LCP B: PBT
C: PA9T D: PA6T
E: PA46 F: PA66

Bestcreate Technology Limited

TOLERANCES UNLESS OTHERWISE SPECIFIED:

.X	± 0.15	X.	± 3°
.XX	± 0.10	.X°	± 2°
.XXX	± 0.05	.XX°	± 1°

Website: www.bsc-elec.com

E-mail: bestcreate@bsc-elec.com

DESIGN: I. L
DATE: 2023/4/1

CHECKED: C. W
DATE: 2023/4/1

APPROVED: C. W
DATE: 2023/4/1

TITLE: **MICRO USB 5S B TYPE**
牛角型斜后盖插板5.55升级版

MATERIAL:	PART NO: U01-BFXX5R-305	SIZE: A4
FINISH:	DWG NO: U01-BFXX5R-305	SHEET: 1 OF 1

REV: A	UNIT mm	SCALE 1=1	QUALITY SYMBOLS
--------	---------	-----------	-----------------