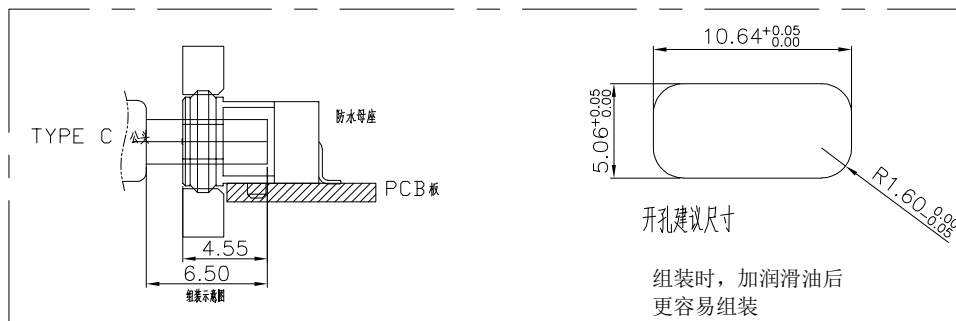
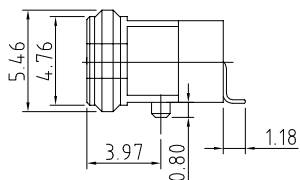
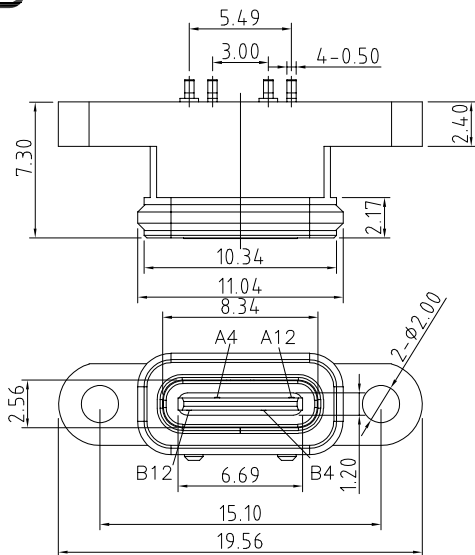


RoHS Compliant



REVISIONS			
REV.	DESCRIPTION	DATE	DESIGN



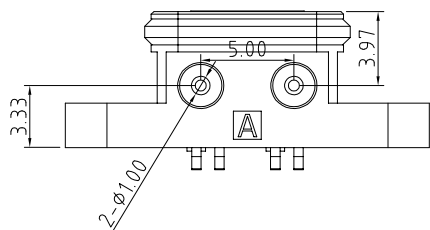
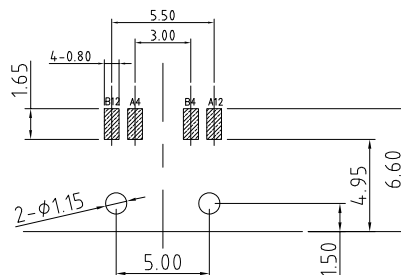
NOTES:

SPECIFICATION:

1. CURRENT RATING: 3.0A MAX
2. DIELECTRIC WITHSTAND VOLTAGE: 100VAC
3. TEMPERATURE RANGE: -30 °C ~ 85 °C
4. CONTACT RESISTANCE: 40 MILLIONHM MAX
5. INSULATION RESISTANCE: 100 MEGOHMS MIN.
6. INSERTION FORCE : 5N~20N
7. UNMATING FORCE: 8N~20N
8. DURABILITY:5000 CYCLES

RECOMMENDED PCB LAYOUT(TOP VIEW)

THICKNESS T=1.0mm  
DEFAULT TOLERANCE+/-0.05

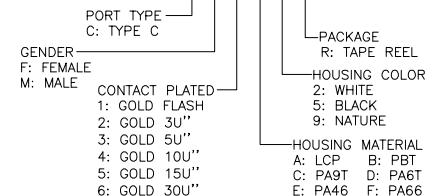


A4	VBUS	B12	GND
A12	GND	B4	VBUS
PIN	SIGNAL NAME	PIN	SIGNAL NAME

ITEM	PARTNAME	Q'TY	FINISH	NOTE
5	Shell2	1	SUS304 Ni Plating T=0.20mm	Ni:40~120u <sup>2</sup> ;
4	Shell1	1	SUS304 Ni Plating T=0.3mm	Ni:40~120u <sup>2</sup> ;
3	Housing2	1	LCP(G.F30%)	
2	Contact	4	Phosphor bronze_C5210R-EH Au/Ni Plating T=0.20mm	Ni:40~160u <sup>2</sup> ; Au:CONTACT AREA:3u <sup>2</sup> ; OTHER AREA:G/F
1	Housing	1	PA9T (G.F30%)	

PART NO. INFORMATION

**U06-C F X X 5 R - W113**



**Bestcreate Technology Limited**

TOLERANCES UNLESS OTHERWISE SPECIFIED:

X.	± 0.50	X.'	± 5'
.X	± 0.30	.X''	± 2''
.XX	± 0.10	.XX'	± 1'

DESIGN: I.L DATE:

CHECKED: C.W DATE:

APPROVED: C.W DATE:

TITLE: **IPX8 WATERPROOF 4P USB C FEMALE CONNECTOR SMT TYPE**

MATERILA:	PART NO: U06-CFXX5R-W113	SIZE: A4
FINSH:	DWG NO: U06-CFXX5R-W113	1 OF 1

REV: A	UNIT mm	SCALE 1=1	QUALITY SYMBOLS
--------	---------	-----------	-----------------

Website:www.bsc-elec.com  
Email:bestcreate@bsc-elec.com