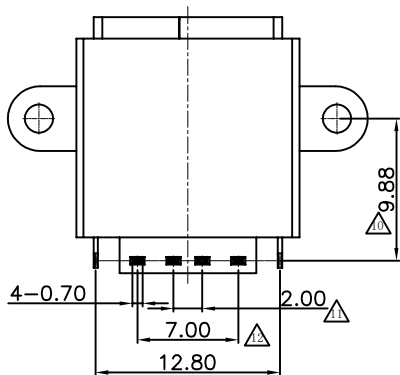
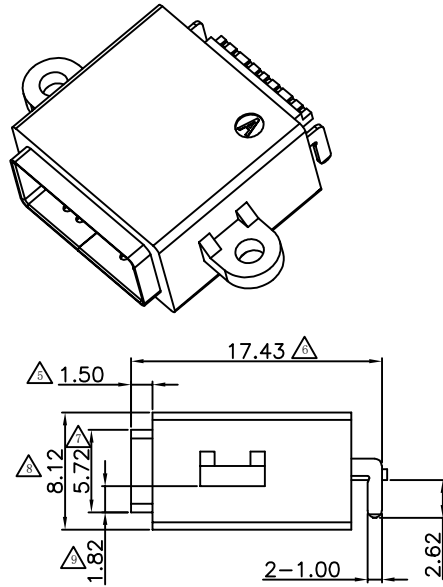
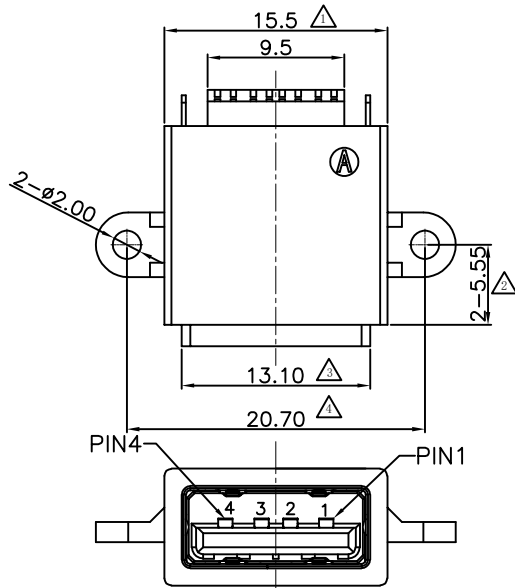


RoHS Compliant



REVISIONS			
REV.	DESCRIPTION	DATE	DESIGN

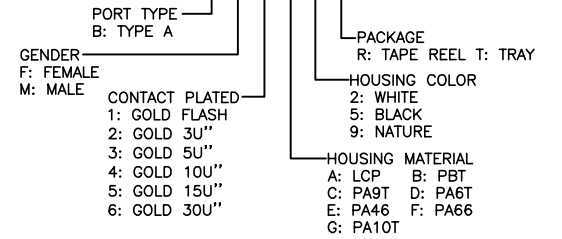
NOTES:

SPECIFICATION:

- CURRENT RATING: 3.0A MAX
- DIELECTRIC WITHSTAND VOLTAGE: 100VAC
- TEMPERATURE RANGE: -30 °C ~ 85 °C
- CONTACT RESISTANCE: 40 MILLIONHM MAX
- INSULATION RESISTANCE: 100 MEGOHMS MIN.
- INSERTION FORCE :8N~35N
- UNMATING FORCE: 8N~35N
- DURABILITY:1500 CYCLES

PART NO. INFORMATION

**U01-A F X X 5 R - W010**



ITEM	PART NAME	Q' TY	FINISH	NOTE
3	Shell	1	SUS 301 1/4H	
3	PLASTIC Shell	1	PA9T&LCP (G.F30%)	
2	Contact	4	BRASS C2680-EH Au/Ni Plating t=0.25mm	
1	Housing	1	PA10T (G.F30%)	

**Bestcreate Technology Limited**

TOLERANCES UNLESS OTHERWISE SPECIFIED:			
X.	± 0.50	X.'	± 2'
.X	± 0.30	.X'	± 1'
.XX	± 0.10	.XX'	± 0.5'

Website:www.bsc-elec.com  
Email:bestcreate@bsc-elec.com

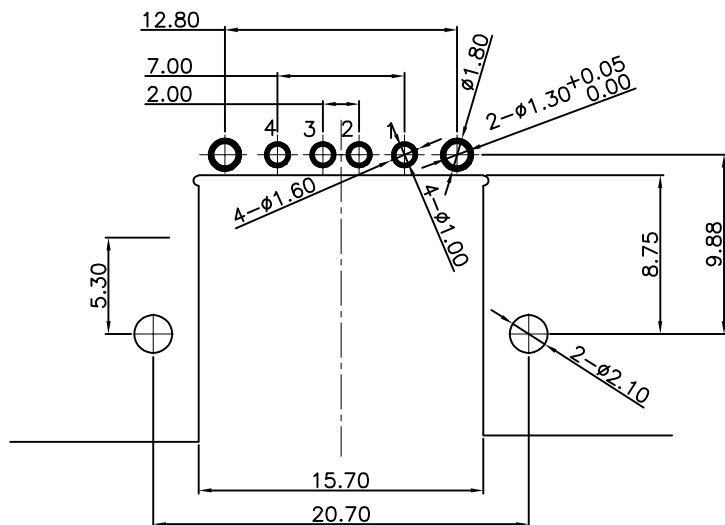
DESIGN:	DATE:
I. L	2017. 3. 1
CHECKED:	DATE:
C. W	2017. 3. 1
APPROVED:	DATE:
C. W	2017. 3. 1

TITLE:		
IPX6 WATERPROOF SUBSIDE USB 2.0 A FEMALE CONNECTOR		
MATERILA:	PART NO:	SIZE:
	U01-AFX5R-W010	A4
FINSH:	DWG NO:	
	U01-AFX5R-W010	1 OF 2

REV:	UNIT	SCALE	QUALITY SYMBOLS
A	mm	1=1	

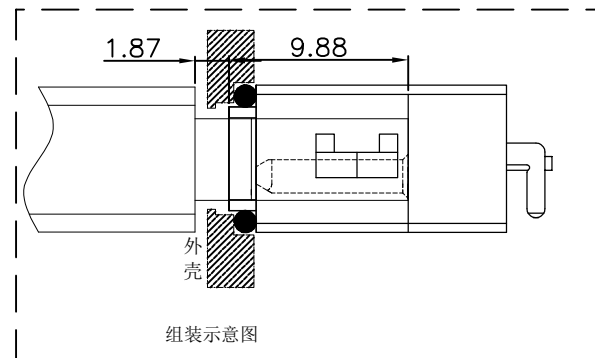
RoHS Compliant

REVISIONS			
REV.	DESCRIPTION	DATE	DESIGN



RECOMMENDED PCB LAYOUT(TOP VIEW)

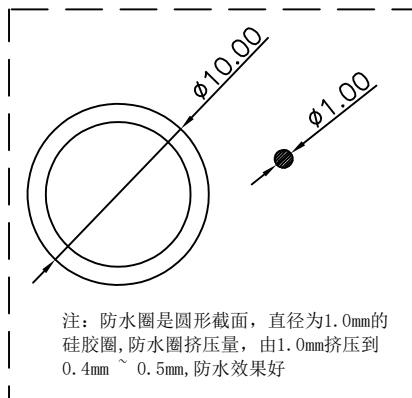
THICKNESS T=1.6mm  
DEFAULT TOLERANCE+/-0.05



PIN ASSIGNMENT

PIN NO.	1	2	3	4
SIGNAL NAME	VBUS	D-	D+	GND

注意此母座为反脚位。



注：防水圈是圆形截面，直径为1.0mm的硅胶圈，防水圈挤压量，由1.0mm挤压到0.4mm ~ 0.5mm，防水效果好

**Bestcreate Technology Limited**

TOLERANCES UNLESS OTHERWISE SPECIFIED:

X.	± 0.50	X'	± 2'
.X	± 0.30	.X'	± 1'
.XX	± 0.10	.XX'	± 0.5'

Website:www.bsc-elec.com  
Email:bestcreate@bsc-elec.com

DESIGN: I.L DATE: 2017.3.1

CHECKED: C.W DATE: 2017.3.1

APPROVED: C.W DATE: 2017.3.1

TITLE: IPX6 WATERPROOF SUBSIDE USB 2.0 A FEMALE CONNECTOR

MATERILA: PART NO: U01-AFXX5R-W010 SIZE: A4

FINSH: DWG NO: U01-AFXX5R-W010 2 OF 2

REV: A UNIT mm SCALE 1=1 QUALITY SYMBOLS

