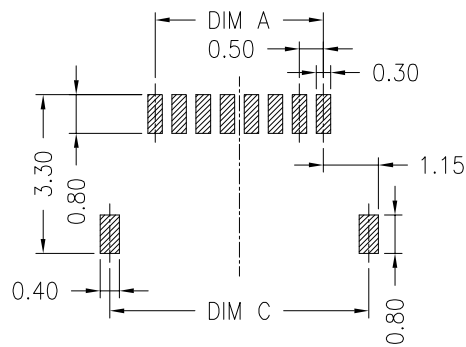
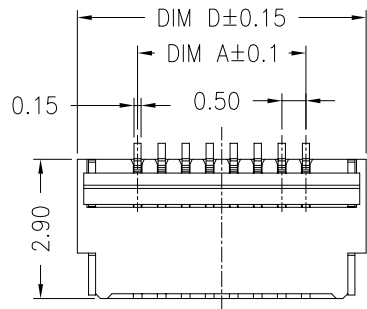
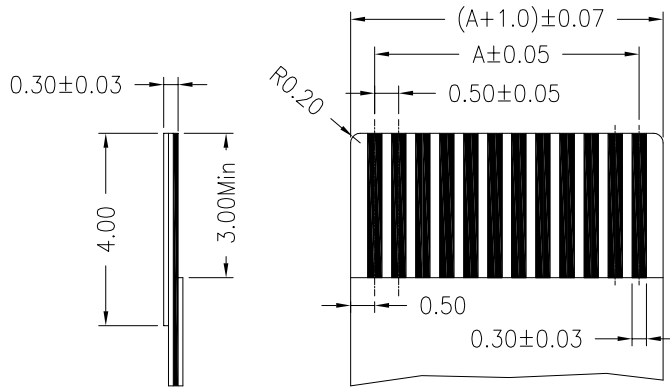
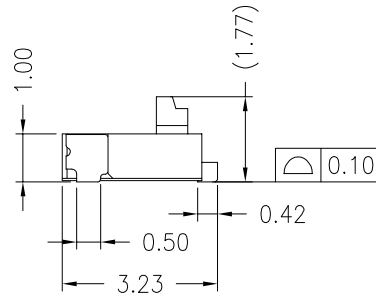
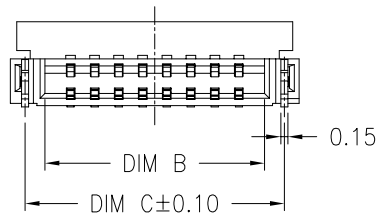


RoHS Compliant



RECOMMEND PCB LAYOUT
Tolerance: ±0.05



Applicable FPC

REVISIONS			
REV.	DESCRIPTION	DATE	DESIGN

NOTES:

1.MATERIAL:

- 1.1 HOUSING:THERMOPLASTIC,HIGH TEMP,UL94V-0.COLOR IS NATURAL
- 1.2 ACTUATOR:THERMOPLASTIC,HIGH TEMP,UL94V-0.COLOR SI BLACK.
- 1.3 CONTACT:COPPER ALLOY.
- 1.4 FITTING NAIL:COPPER ALLOY.

2.PLATING:

- 2.1 TERMINAL PLATING:
THE NICKEL BASE 50u"MIN
A0:GOLD FLASH OVERALL.
A3:3u"GOLD ON CONTACT AND SOLDER FOR IS GOLD FLASH OVERALL.
MS:100u"MIN.MATT TIN UNDERPLATING OVERALL.

2.2 FITTING NAIL:

- 50u"MIN.NICKEL UNDERPLATING OVERALL.
80u"MIN.MATT TIN UNDERPLATING OVERALL.

3.THE COPLANARITY IS 0.10mm MAX.

4.THE TRUE POSITION IS 0.10mm MAX.

5.REFLOW SOLDER CAPABLE TO 260°C.

6.PART NUMBER

FPC0510-XXXRP-NBXXR

004: 4Pin

050: 50Pin

MS: MATT TIN
A0: GOLD FLASH ON CONTACT
A3: 3u"GOLD ON CONTACT

CKT	A	B	C	D	CKT	A	B	C	D
4	1.50	2.57	3.39	4.00	28	13.50	14.57	15.39	16.00
5	2.00	3.07	3.89	4.50	29	14.00	15.07	15.89	16.50
6	2.50	3.57	4.39	5.00	30	14.50	15.57	16.39	17.00
7	3.00	4.07	4.89	5.50	31	15.00	16.07	16.89	17.50
8	3.50	4.57	5.39	6.00	32	15.50	16.57	17.39	18.00
9	4.00	5.07	5.89	6.50	33	16.00	17.07	17.89	18.50
10	4.50	5.57	6.39	7.00	34	16.50	17.57	18.39	19.00
11	5.00	6.07	6.89	7.50	35	17.00	18.07	18.89	19.50
12	5.50	6.57	7.39	8.00	36	17.50	18.57	19.39	20.00
13	6.00	7.07	7.89	8.50	37	18.00	19.07	19.89	20.50
14	6.50	7.57	8.39	9.00	38	18.50	19.57	20.39	21.00
15	7.00	8.07	8.89	9.50	39	19.00	20.07	20.89	21.50
16	7.50	8.57	9.39	10.00	40	19.50	20.57	21.39	22.00
17	8.00	9.07	9.89	10.50	41	20.00	21.07	21.89	22.50
18	8.50	9.57	10.39	11.00	42	20.50	21.57	22.39	23.00
19	9.00	10.07	10.89	11.50	43	21.00	22.07	22.89	23.50
20	9.50	10.57	11.39	12.00	44	21.50	22.57	23.39	24.00
21	10.00	11.07	11.89	12.50	45	22.00	23.07	23.89	24.50
22	10.50	11.57	12.39	13.00	46	22.50	23.57	24.39	25.00
23	11.00	12.07	12.89	13.50	47	23.00	24.07	24.89	25.50
24	11.50	12.57	13.39	14.00	48	23.50	24.57	25.39	26.00
25	12.00	13.07	13.89	14.50	49	24.00	25.07	25.89	26.50
26	12.50	13.57	14.39	15.00	50	24.50	25.57	26.39	27.00
27	13.00	14.07	14.89	15.50					

Bestcreate Technology Limited

TOLERANCES UNLESS OTHERWISE SPECIFIED:

.X	± 0.25	.X'	± 3'
.XX	± 0.20	.X''	± 2'
.XXX	± 0.15	.XXX'	± 1'

Website:www.bsc-elec.com
Email:bestcreate@bsc-elec.com

DESIGN: I. L
DATE: 2017. 3. 1

CHECKED: C. W
DATE: 2017. 3. 1

APPROVED: C. W
DATE: 2017. 3. 1

TITLE: 0.5 EASY ON FPC CONN.
SMT R/A D/C/ H:1.0 TYPE

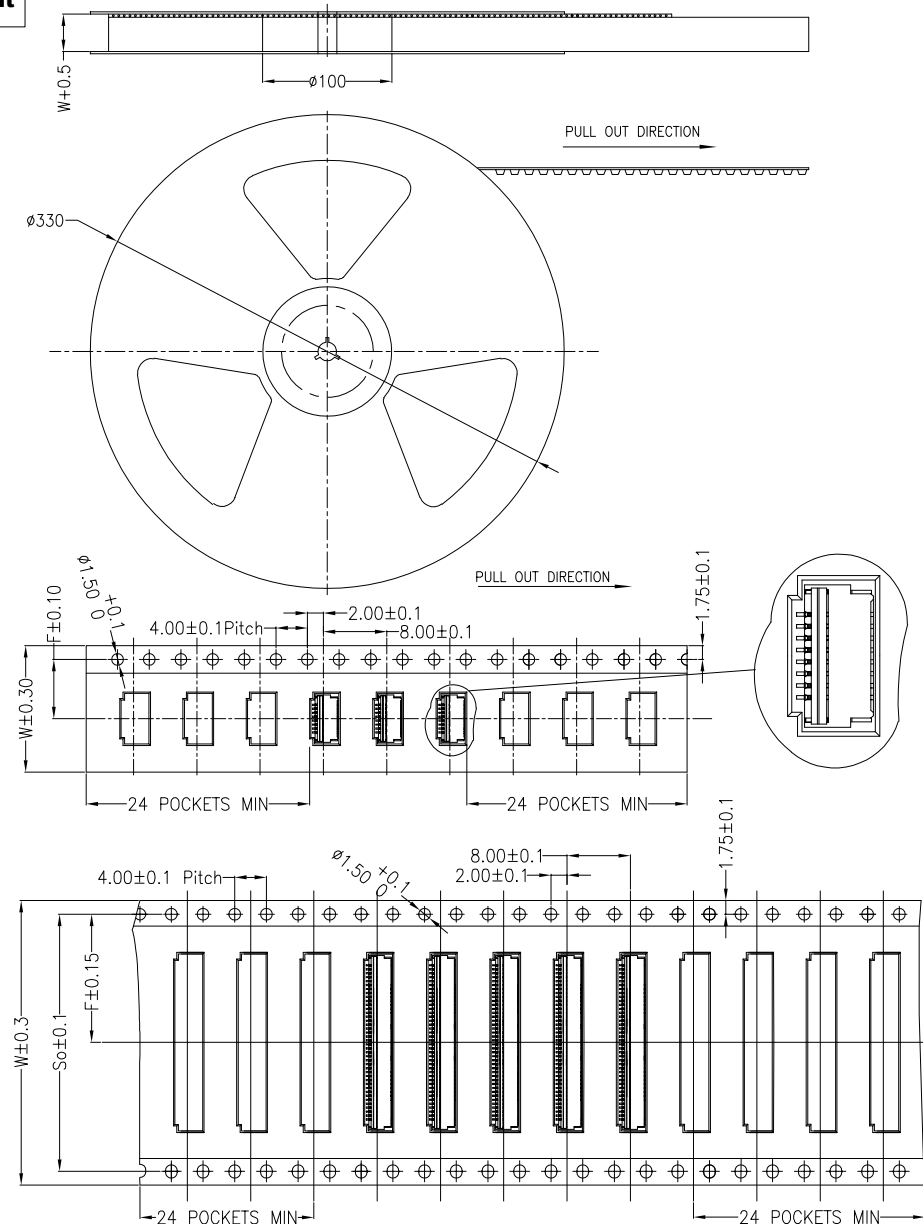
MATERIAL: FPC0510-XXXRP-NBXXR
PART NO: FPC0510-XXXRP-NBXXR
SIZE: A4

FINISH: FPC0510-XXXRP-NBXXR
DWG NO: FPC0510-XXXRP-NBXXR
SHEET: 1 of 2

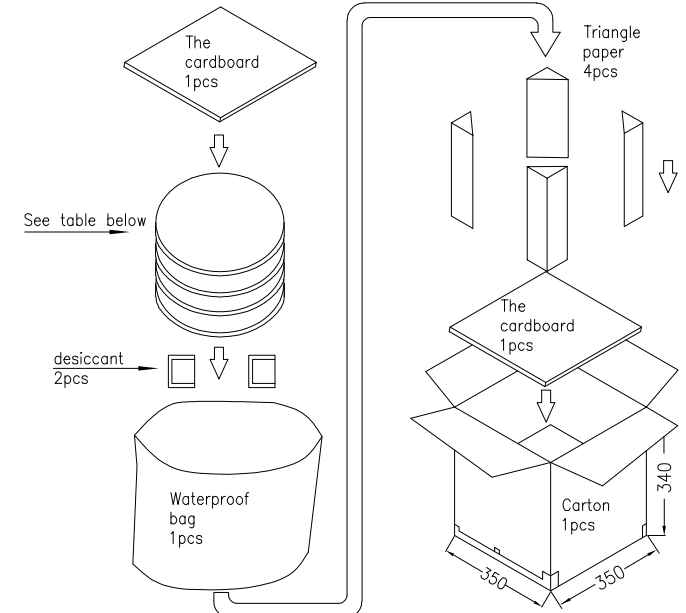
REV: A
UNIT: mm
SCALE: 1=1
QUALITY SYMBOLS:

RoHS Compliant

REVISIONS			
REV.	DESCRIPTION	DATE	DESIGN



- Note:
- 1.10 sprocket hole pitch cumulative tolerance±0.2
 - 2.Carrier camber is within 1 mm in 250mm.
 - 3.All dimensions meet EIA-481-B requirements.
 - 4.Thickness:0.30±0.05mm.
 - 5.Component load per 13"reel:4000 pcs.
 - 6.The following specifications are shown in the table below
 - 7.Carton Size:350x350x340mm



CKT	SPEC G	DIM. W	DIM. F	DIM. So	Reel/carton
4-14	16G	16.0	7.5	—	15
15-27	24G	24.0	11.5	—	10
28-39	32G	32.0	14.2	28.4	8
40-50	44G	44.0	20.2	40.4	6

Bestcreate Technology Limited

TOLERANCES UNLESS OTHERWISE SPECIFIED:

.X	± 0.25	X.*	± 3"
.XX	± 0.20	.X*	± 2"
.XXX	± 0.15	.XX*	± 1"

DESIGN: I. L DATE: 2017. 3. 1
 CHECKED: DATE: 2017. 3. 1
 C. W
 APPROVED: DATE: 2017. 3. 1
 C. W

TITLE: **0.5 EASY ON FPC CONN.**
SMT R/A D/C/ H:1.0 TYPE

MATERIAL:	PART NO: FPC0510-XXXRP-NBXXR	SIZE: A4
FINISH:	DWG NO: FPC0510-XXXRP-NBXXR	SHEE: 2 of 2

REV: A UNIT mm SCALE 1=1 QUALITY SYMBOLS

Website:www.bsc-elec.com
 Email:bestcreate@bsc-elec.com