

RoHS Compliant

REVISIONS			
REV.	DESCRIPTION	DATE	DESIGN

A

B

C

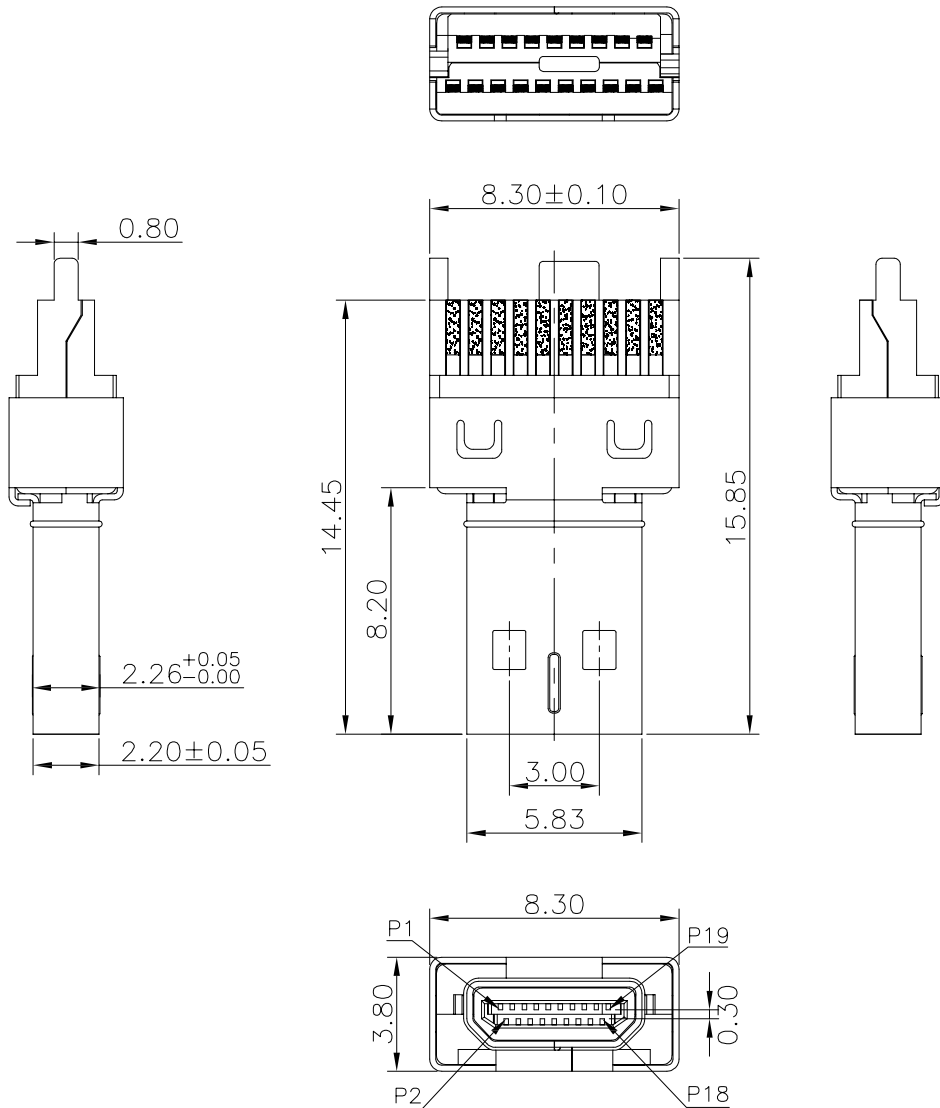
D

A

B

C

D



NOTE:

- 1.Electrical
 - 1.1.Rated Voltage:40V AC/DC maximum
 - 1.2.Rated Current:0.3A max.
 - 1.3.Dielectric strength:150V AC/1 minute
 - 1.4.Insulation Resistance:150V DC 10MΩ min.
 - 1.5.Contact Resistance:40mΩ Max.
- 2.Mechanical
 - 2.1.Insertion Force Max:4.5kgf max.
 - 2.2.Removal Force Min:0.5kgf min. , 2.5kgf max.
 - 2.3.Durability: 5,000 cycles at 100±50 cycles per hour
- 3.Plating
 - 3.1.Terminal>Contact area: gold plated over 50u" NI min.
Soldered area:100u" mist TIN plated over 50u" NI min.
 - 3.2.Shell: G/F plated over 50u" NI min.
- 4.Ambient Temperature:-25°C To +85°C

PART NO. INFORMATION

HD01-D M X X 5 T - 002

- PORT TYPE
B: TYPE D
- GENDER
F: FEMALE
M: MALE
- CONTACT PLATED
1: GOLD FLASH
2: GOLD 3U"
3: GOLD 5U"
4: GOLD 10U"
5: GOLD 15U"
6: GOLD 30U"
- PACKAGE
T: TRAY
- HOUSING COLOR
2: WHITE
5: BLACK
9: NATURE
- HOUSING MATERIAL
A: LCP B: PBT
C: PA9T D: PA6T
E: PA46 F: PA66

Bestcreate Technology Limited

TOLERANCES UNLESS OTHERWISE SPECIFIED:

.X	± 0.35	.X'	± 2'
.XX	± 0.25	.X''	± 1'
.XXX	± 0.15	.X'''	± 0.5'

Website:www.bsc-elec.com
Email:bestcreate@bsc-elec.com

DESIGN: I. L DATE: 2017.3.1

CHECKED: C. W DATE: 2017.3.1

APPROVED: C. W DATE: 2017.3.1

TITLE: **HDMI D/M WIRE SOLDERING**

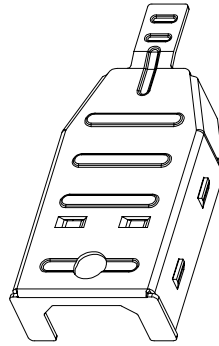
MATERILA:	PART NO: HD01-DMXX5T-002	SIZE: A4
FINSH:	DWG NO: HD01-DMXX5T-002	

REV: A	UNIT mm	SCALE 1=1	QUALITY SYMBOLS
--------	---------	-----------	-----------------

1 2 3 4 5 6 7 8

RoHS Compliant

REVISIONS			
REV.	DESCRIPTION	DATE	DESIGN



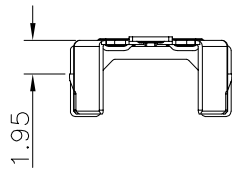
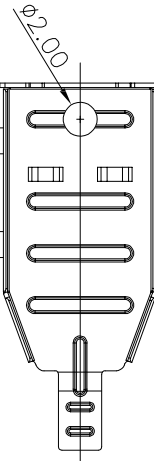
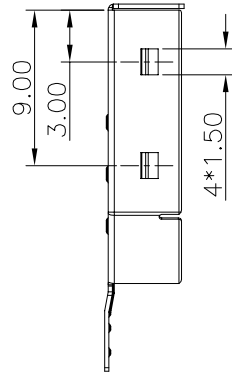
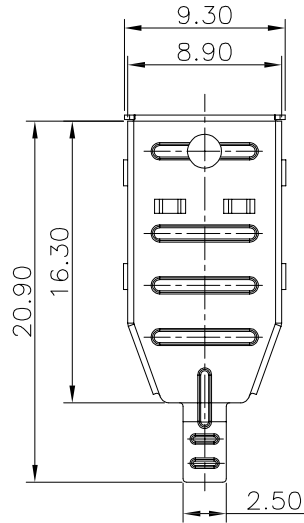
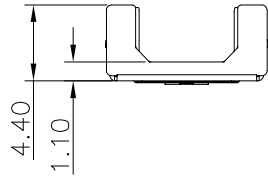
备注:

1.材质:SPCC T=0.25MM

2.外观不可有压伤, 严重变形, 折弯处裂纹等不良。

3.未标注R角为R0.25 max.,毛边0.08 max.

4.产品冲制为散PIN。



Bestcreate Technology Limited

TOLERANCES UNLESS OTHERWISE SPECIFIED:

.X	± 0.35	X'	± 2'
.XX	± 0.25	.XX'	± 1'
.XXX	± 0.15	.XXX'	± 0.5'

Website: www.bsc-elec.com
Email: bestcreate@bsc-elec.com

DESIGN: I. L DATE: 2017. 3. 1

CHECKED: C. W DATE: 2017. 3. 1

APPROVED: C. W DATE: 2017. 3. 1

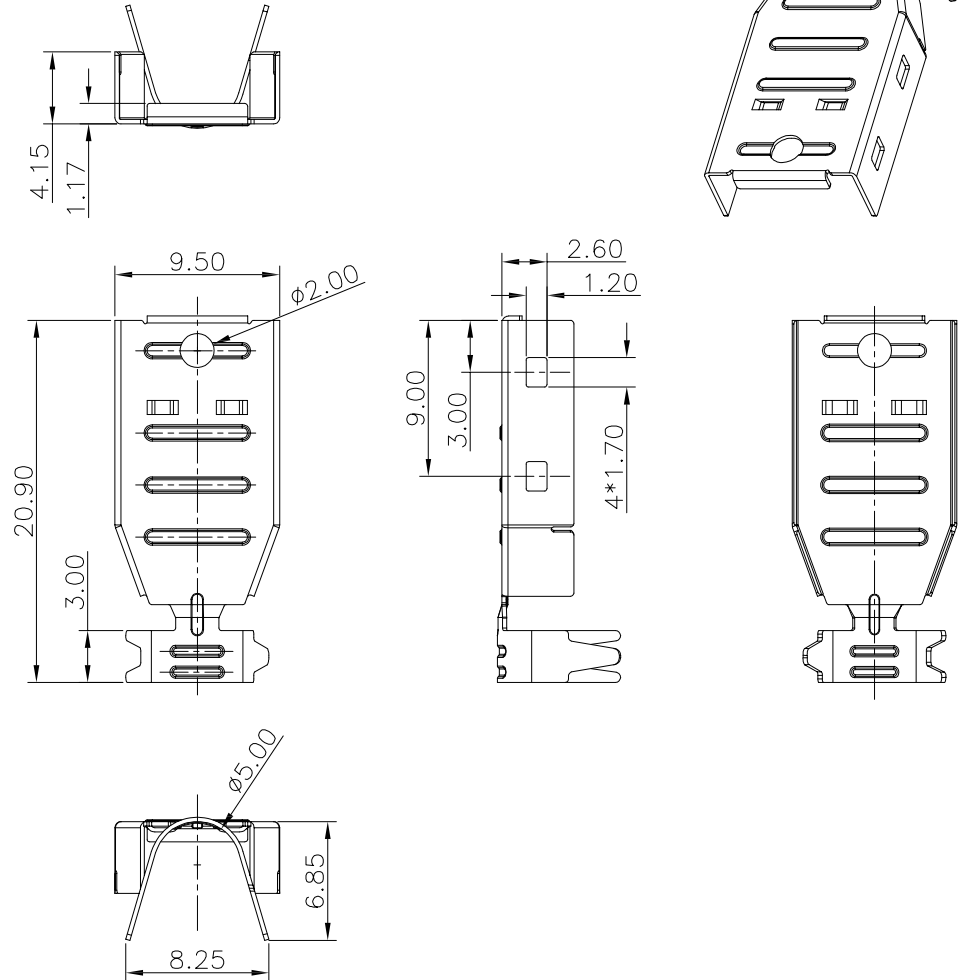
TITLE: **HDMI D TYPE UP SHELL**

MATERILA:	PART NO: HDO1-DMXX5T-002	SIZE: A4
FINSH:	DWG NO: HDO1-DMXX5T-002	

REV: A	UNIT: mm	SCALE: 1=1	QUALITY SYMBOLS:
--------	----------	------------	------------------

RoHS Compliant

REVISIONS			
REV.	DESCRIPTION	DATE	DESIGN



备注:
 1.材质:SPCC T=0.25MM
 2.外观不可有压伤, 严重变形, 折弯处裂纹等不良。
 3.未标注R角为R0.25 max.,毛边0.08 max.
 4.产品冲制为散PIN。

Bestcreate Technology Limited

TOLERANCES UNLESS OTHERWISE SPECIFIED:			
.X	± 0.35	.X'	± 2'
.XX	± 0.25	.XX''	± 1'
.XXX	± 0.15	.XXX'''	± 0.5'

Website:www.bsc-elec.com
 Email:bestcreate@bsc-elec.com

DESIGN:	DATE:
I. L	2017. 3. 1
CHECKED:	DATE:
C. W	2017. 3. 1
APPROVED:	DATE:
C. W	2017. 3. 1

TITLE: HDMI D TYPE DOWN SHELL		
MATERILA:	PART NO: HD01-DMXX5T-002	SIZE: A4
FINSH:	DWG NO: HD01-DMXX5T-002	

REV: A	UNIT mm	SCALE 1=1	QUALITY SYMBOLS
-----------	------------	--------------	--------------------

A
B
C
D

A
B
C
D

1 2 3 4 5 6 7 8