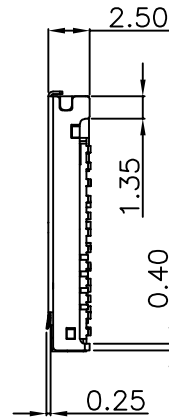
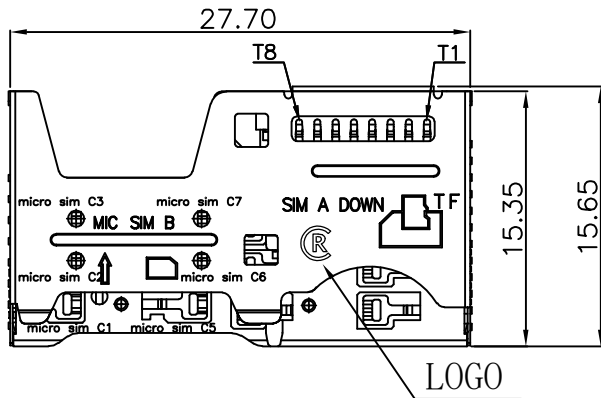


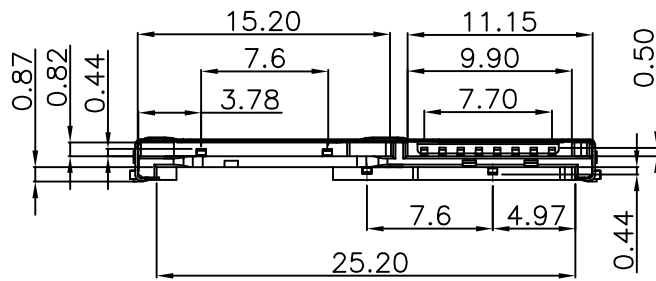
RoHS Compliant

REVISIONS			
REV.	DESCRIPTION	DATE	DESIGN



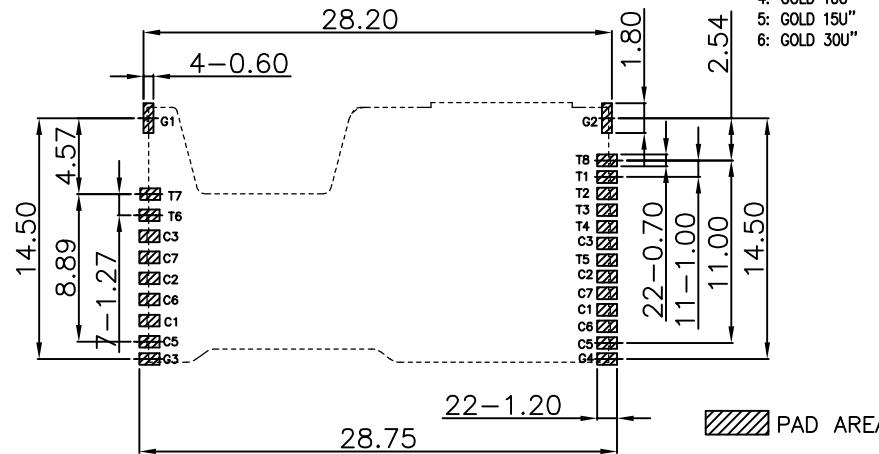
NOTES:

- 1) MATERIAL:
HOUSING: HI-TEMP. PLASIC UL 94V-0
CONTACT: COPPER ALLOY
SHELL: STAINLESS STEEL
- 2) FINISH:
CONTACT: GOLD FLASH PLATED ON CONTACT AREA;
GOLD FLASH PLATED ON SOLDER TAILS,
SHELL: NICKEL UNDERPLATED OVERALL,
GOLD FLASH PLATED ON SOLDER TAILS
- 3) PART NO.:



MUTSIM -20 X X 5 R - 001

- 20: 20P
- CONTACT PLATED
- 1: GOLD FLASH
- 2: GOLD 3U"
- 3: GOLD 5U"
- 4: GOLD 10U"
- 5: GOLD 15U"
- 6: GOLD 30U"
- PACKAGE
- R: TAPE REEL
- HOUSING COLOR
- 2: WHITE
- 5: BLACK
- 9: NATURE
- HOUSING MATERIAL
- A: LCP B: PBT
- C: PA9T D: PA6T
- E: PA46 F: PA66



RECOMMENDED PCB LAYOUT(TOP VIEW)
GENERAL TOLERANCES: ±0.05

SIM CARD PIN NO.	PIN NAME	MICRO SIM CARD PIN NO.	PIN NAME	SIM CARD PIN NO.	PIN NAME
T1	DAT2	C1	VCC	C1	VCC
T2	CD/DAT3	C2	RST	C2	RST
T3	CMD	C3	CLK	C3	CLK
T4	VDD	C5	GND	C5	GND
T5	CLK	C6	VPP	C6	VPP
T6	VSS	C7	I/O	C7	I/O
T7	DATO	SHELL NAIL PIN NO.		PIN NAME	
T8	DAT1	G1~G4		GROUND	

Bestcreate Technology Limited

TOLERANCES UNLESS OTHERWISE SPECIFIED:

.X	±	0.35	X.*	±	5'
.XX	±	0.25	.X*	±	2'
.XXX	±	0.15	.XX*	±	1'

Website: www.bsc-elec.com
Email: bestcreate@bsc-elec.com

DESIGN: I.L DATE: 2017.3.1

CHECKED: C.W DATE: 2017.3.1

APPROVED: C.W DATE: 2017.3.1

TITLE: 3 IN 1 CARD CONN.
SMT TYPE 2.50H

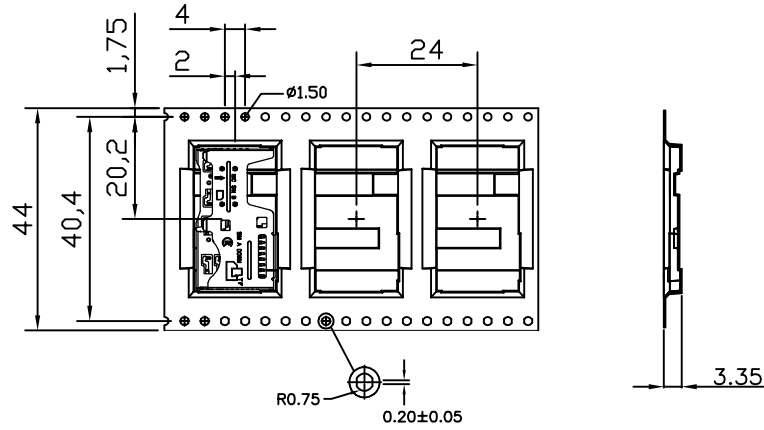
MATERIAL: FINISH:	PART NO: MUTSIM-20XX5R-001	SIZE: A4
	DWG NO: MUTSIM-20XX5R-001	SHEET: 1 OF 2

REV: A	UNIT: mm	SCALE: 1=1	QUALITY SYMBOLS:
--------	----------	------------	------------------

RoHS Compliant

REVISIONS			
REV.	DESCRIPTION	DATE	DESIGN

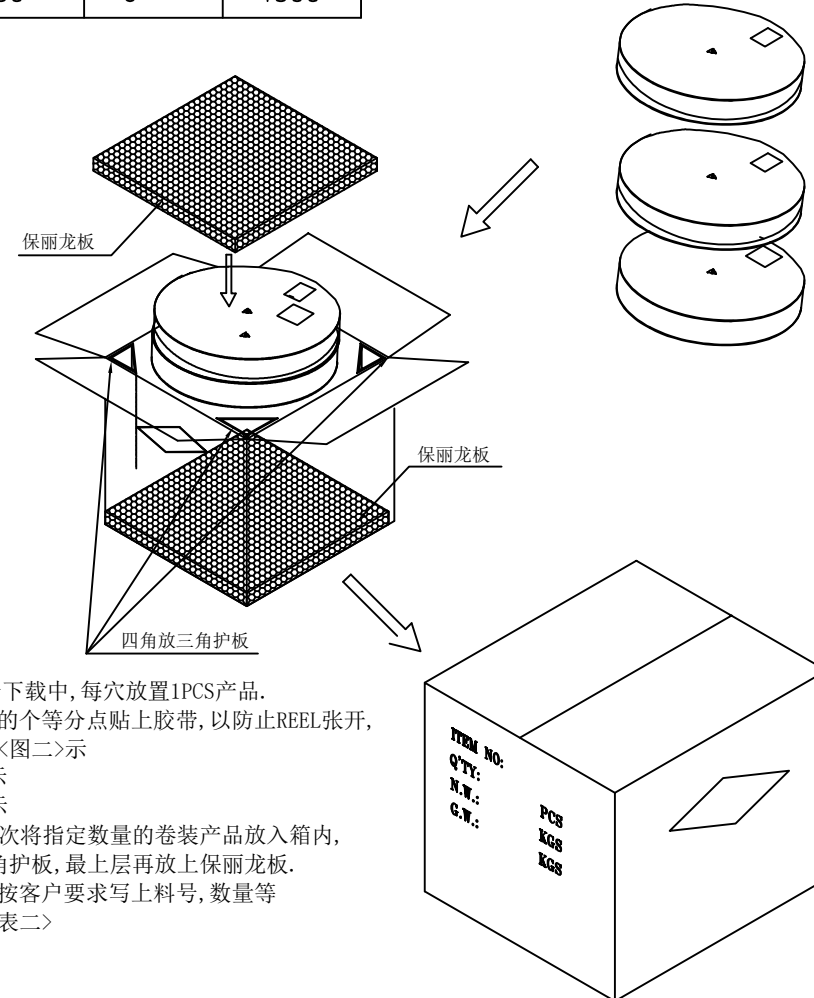
<图一>



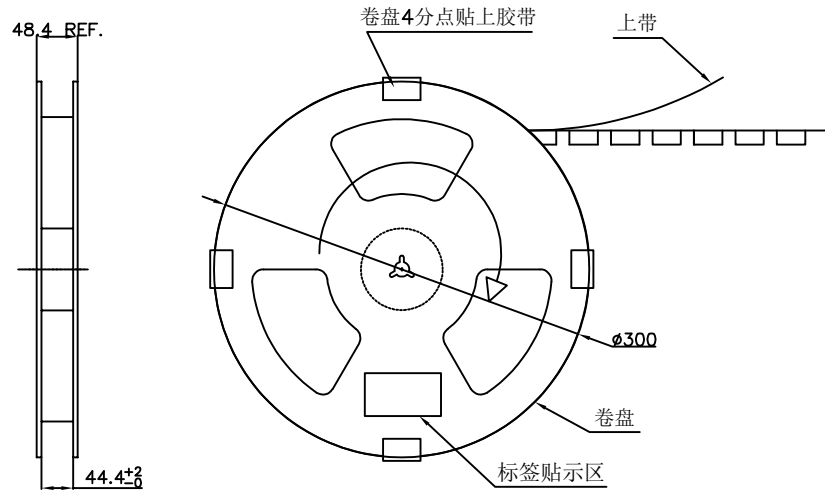
<表一> 包装数量

PCS/卷	卷/箱	PCS/箱
750	6	4500

<图三>



<图二>



NOTE:

1. 依<图一>示放置产品于下载中, 每穴放置1PCS产品.
2. 包装机包好后, 在REEL的个等分点贴上胶带, 以防止REEL张开, 每REEL贴1PCS标签, 如<图二>示
3. 包装数量见如<表一>示
4. 包装成箱见如<图三>示
箱底放保利龙板, 再依次将指定数量的卷装产品放入箱内, 四角分别放入四个三角护板, 最上层再放上保利龙板.
5. 封箱, 在封好的纸箱上按客户要求写上料号, 数量等
6. 适用成品料号见如下<表二>

Bestcreate Technology Limited

TOLERANCES UNLESS OTHERWISE SPECIFIED:

.X	± 0.35	X.*	± 5'
.XX	± 0.25	.X*	± 2'
.XXX	± 0.15	.XX*	± 1'

DESIGN: I.L DATE: 2017. 3. 1

CHECKED: C.W DATE: 2017. 3. 1

APPROVED: C.W DATE: 2017. 3. 1

TITLE: 3 IN 1 CARD CONN.
SMT TYPE 2.50H 包装图

MATERIAL: PART NO: MUTSIM-20XX5R-001 SIZE: A4

FINISH: DWG NO: MUTSIM-20XX5R-001 SHEET: 2 OF 2

REV: A UNIT mm SCALE 1=1 QUALITY SYMBOLS

Website: www.bsc-elec.com
Email: bestcreate@bsc-elec.com