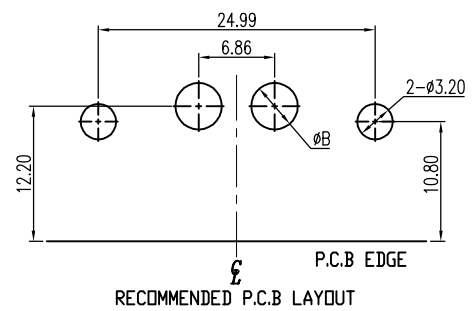
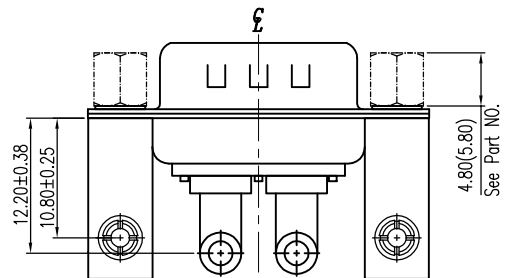
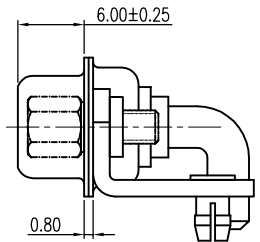
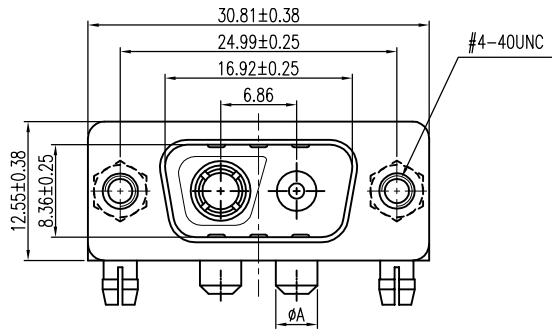


由 Autodesk 教育版产品制作

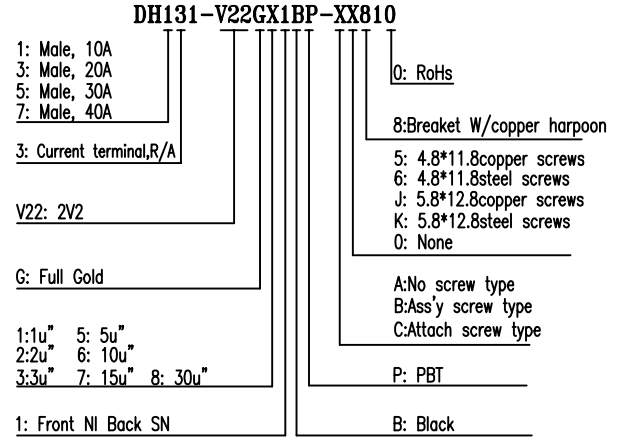
RoHS Compliant

REVISIONS			
REV.	DESCRIPTION	DATE	DESIGN



NOTE:
 1.MATERIALS AND FINISH
 SHELL : STEEL MATERIAL, FRONT-NICKEL PLATING;BACK-TIN PLATING
 CONNECTOR INSULATOR : PBT THERMOPLASTIC,
 30% GLASS FILLED, UL 94V-0 RATED,
 HIGH POWER CONTACT MATERIAL: BRASS
 FOOTHOLD: MATERIAL:SPCC, NICKEL PLATING
 2.ELECTRICAL CHARACTERISTICS
 HIGH POWER CONTACT CURRENT RATING : 10,20,30,OR40 AMPS
 HIGH POWER CONTACT RESISTANCE : 2.7 MILLIOHMS MAX.
 DIELECTRIC WITHSTANDING VOLTAGE :
 1000 V AC FOR 1 MINUTE
 INSULATION RESISTANCE : 5000 MEGAOHMS MIN.
 TEMPERATURE RATING : -55°C ~ +125°C
 INSERTION FORCE TEST:5.5KGF(MIN),SPEED:25MM/MIN,500 CYCLES(MIN)
 PULLOUT FORCE TEST:1.0KGF(MIN),SPEED:25MM/MIN,500 CYCLES(MIN)
 4.HOW TO ORDER:

40A	∅3.75	∅4.20
30A	∅3.20	∅3.75
20A	∅2.80	∅3.28
10A	∅1.70	∅2.20
Current Rating	∅A	∅B
	Dimension	Dimension



Bestcreate Technology Limited

TOLERANCES UNLESS OTHERWISE SPECIFIED:

.X	± 0.35	.X"	± 3"
.XX	± 0.25	.X"	± 2"
.XXX	± 0.15	.XX"	± 1"

Website: www.bsc-elec.com
 Email: bestcreate@bsc-elec.com

DESIGN: I.L
 DATE: 2017.3.1
 CHECKED:
 DATE:
 C.W
 2017.3.1
 APPROVED:
 DATE:
 C.W
 2017.3.1

TITLE: 2W2 MALE CONNECTOR 90D PCB MOUNT
 MATERILA: PART NO: DH131.V22GX1BP.XX810 SIZE: A4
 FINSH: DWG NO: DH131.V22GX1BP.XX810

REV: A UNIT mm SCALE 1=1 QUALITY SYMBOLS

由 Autodesk 教育版产品制作